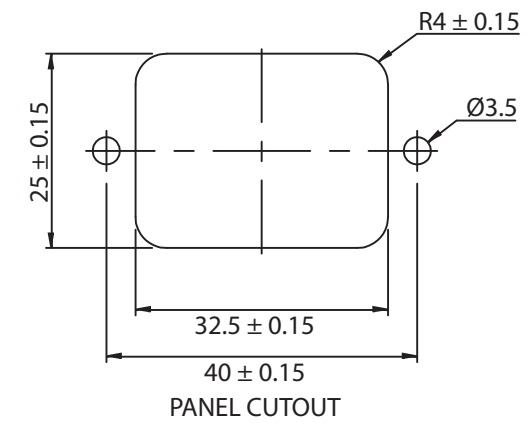
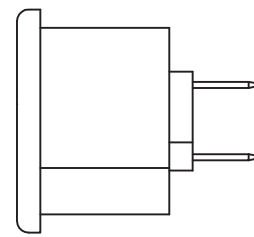
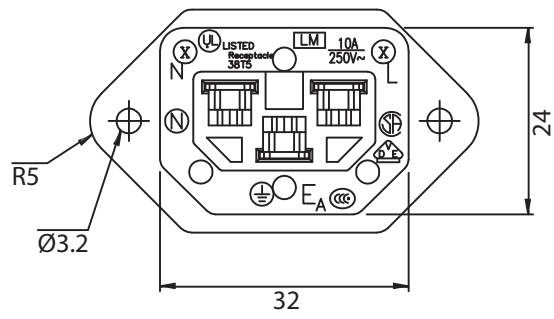
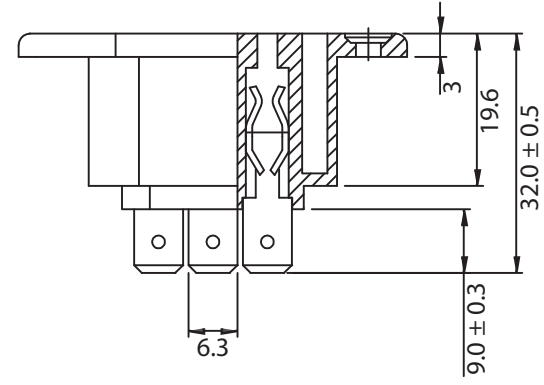
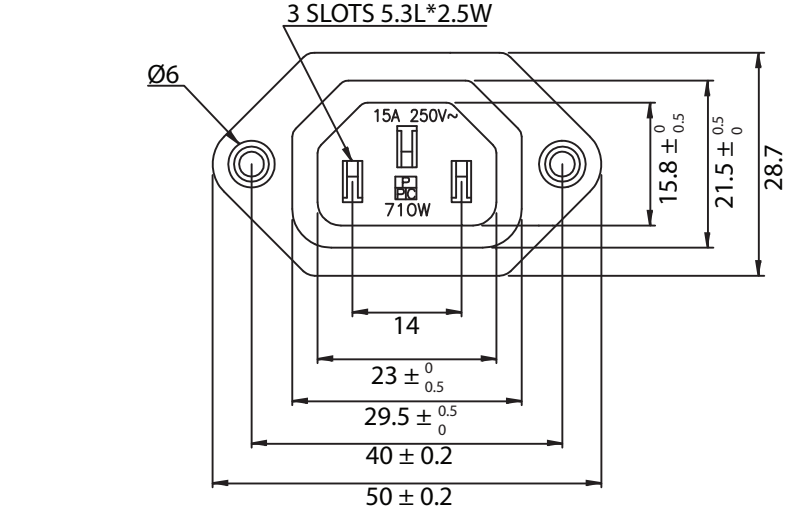


THESE DRAWINGS ARE THE PROPERTY OF QUALTEK ELECTRONICS AND NOT TO BE REPRODUCED FOR OR COMMUNICATED TO A THIRD PARTY WITHOUT THE EXPRESS WRITTEN PERMISSION OF AN OFFICER OF QUALTEK ELECTRONICS.

REVISION			
REV.	DESCRIPTION	DATE	APPROVED
B	RoHS Compliancy	06-01-06	DP
C	Updated Specifications	12-06-10	LY



NOTES:

MATERIAL:

HOUSING: THERMOPLASTIC  
 TERMINAL: COPPER ALLOY

RATING:

UL, CSA: 15A 250V AC  
 VDE, CCC: 10A 250V AC

INSULATION RESISTANCE: OVER 100 OHM 500V DC

DIELECTRIC STRENGTH: 2000V AC ONE MINUTE

APPROVALS: UL, CSA, VDE, CCC

RoHS COMPLIANT

**CONTROLLED**

Dim range (mm)		Tolerance +/- (mm)	Qualtek Electronics Corp. PPC DIVISION		
0-1		0.15	Part Number: 710W-00/03 <span style="border: 1px solid green; padding: 2px;">RoHS Compliant</span>		
1-6		0.20	Description: AC RECEPTACLE		
6-18		0.30	UNIT: mm		REV. C
18-50		0.50	Drawn / Date		Checked / Date
50-120		0.70	B.ZHANG 03-01-04		Approved / Date
120-250		0.90			JJH / 03-01-04
250-500		1.20			