

SMA Connector



Features

- Semi-precision coaxial RF connector
- Minimal connector interface for coaxial cable
- Screw-type coupling mechanism



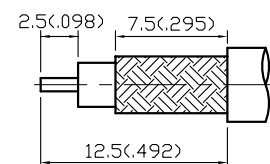
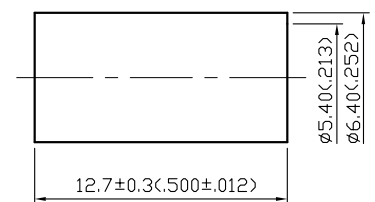
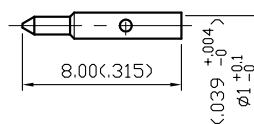
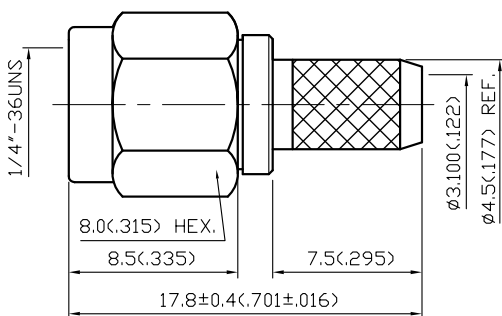
Specification

| | |
|-----------------------------|----------------|
| Frequency Range | DC - 12.4 GHz |
| Nominal Impedance | 50 Ohm |
| Voltage Rating | 335 V max. |
| VSWR | 1.5 max. |
| Suitable Cable Type | RG58U |
| Recommended Coupling Torque | 3 ... 5 in-lbs |
| Operating Temperature | -65 ... 165 °C |

Material Specification

| | |
|----------------|--------------------|
| Shell | Brass, Gold Finish |
| Gasket | Silicone |
| Washer | Stainless Steel |
| Insulation | Teflon |
| Body | Brass, Gold Finish |
| Center Contact | Brass, Gold Finish |
| Crimp Ferrule | Brass, Gold Finish |

Drawing



STRIPPING DIMENSION
SCALE 3:1

Art. Nr.
RND 205-00450