

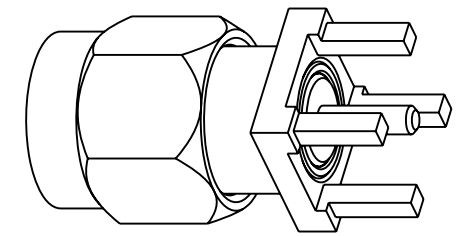
NOTES:

1. MATERIALS AND FINISHES:
 BODY-BRASS, GOLD PLATING
 CONTACT- BERYLLIUM COPPER, GOLD PLATING
 INSULATOR-PTFE, NATURAL
2. ELECTRICAL:
 A. IMPEDANCE: 50OHM
 B. FREQUENCY RANGE: DC-18GHz
 C. DIELECTRIC WITHSTANDING VOTAGE : 1000VRMS, MIN.
3. MECHANICAL:
 A. DURABILITY: 500CYCLES MIN.
 B. TEMPERATURE RANGE: -65°C TO +165°C

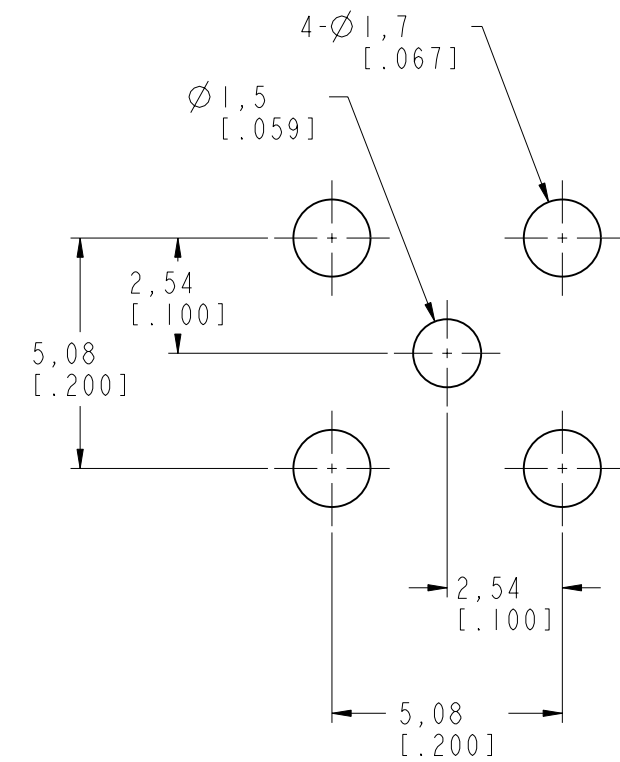
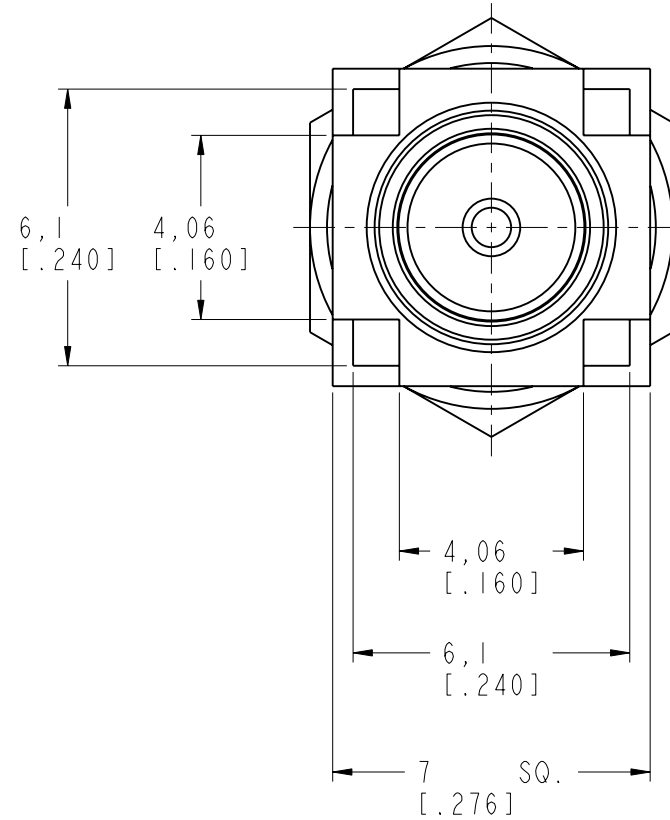
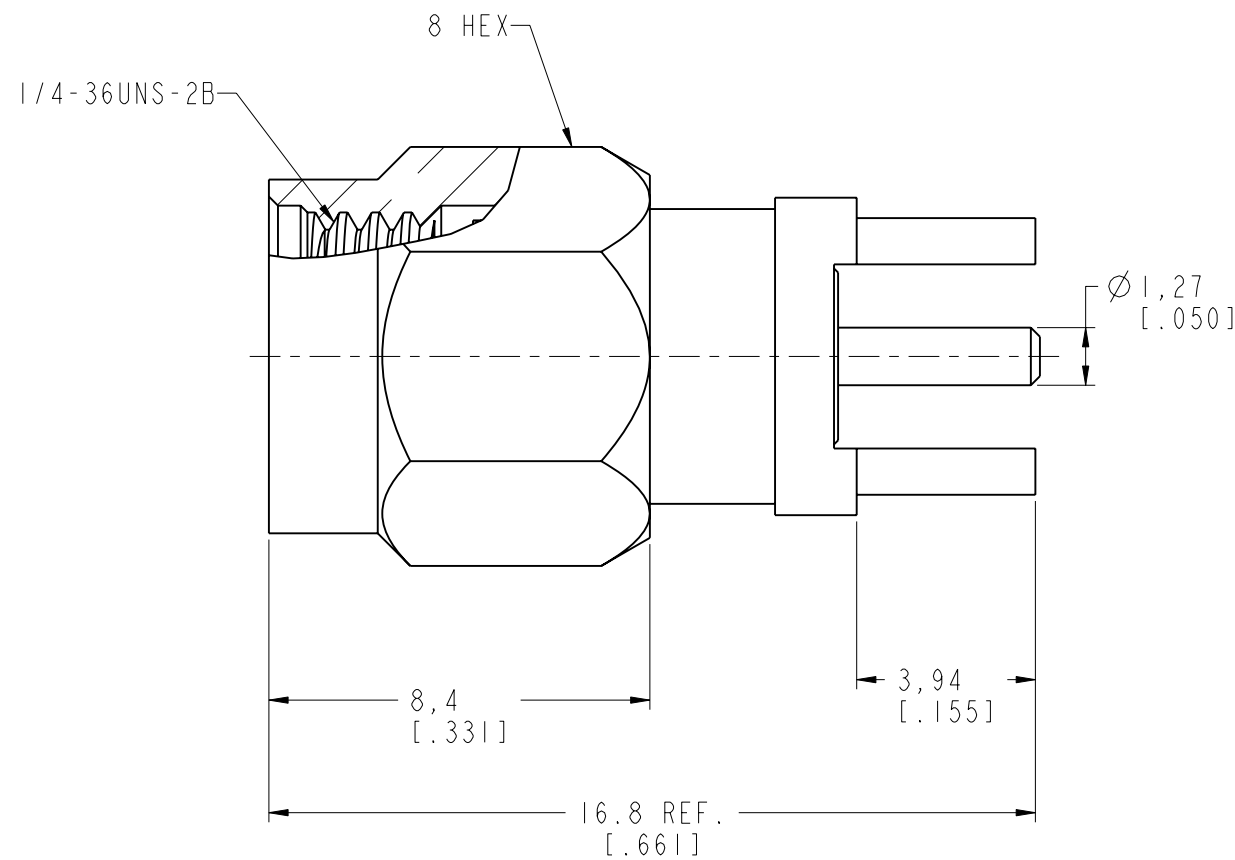
THIRD ANGLE PROJ.

REVISIONS

REV	DESCRIPTION	DATE	ECO	APPR
B	NO.1 WAS CHANGED\RD-DM89042001C	20-Apr-00	--	SH
C	NO.6 SMA7700-5-C WAS SMA7700-5-B\RD-DM04091601W	16-Sep-04	--	SH
D	PCB MOUTING HOLE WAS CHANGED\RD-DM07062802K	01-Jul-07	--	SH
E	ADD COD DRAWING\RD-DMI4101701J9	10-Nov-14	50226	SH



SCALE 3.000



PCB MOUNTING HOLES

CUSTOMER OUTLINE DRAWING

ALL OTHER SHEETS ARE FOR INTERNAL USE ONLY

UNLESS OTHERWISE SPECIFIED, DIMENSIONS ARE IN METRIC AND TOLERANCES ARE: <0.5mm ±0.05mm 0.5 - 6mm ±0.1mm 6 - 30mm ±0.2mm 30 - 120mm ±0.3mm ANGLES ±1° NOTICE - These drawings, specifications, or other data (1) are, and remain the property of Amphenol corp. (2) must be returned upon request; and (3) are confidential and not to be disclosed to any person other than those to whom they are given by Amphenol Corp. the furnishing of these drawings, specifications, or other data by Amphenol Corp., or to any other person to anyone for any purpose is not to be regarded by implication or otherwise in any manner licensing, granting rights to permitting such holder or any other person to manufacture, use or sell any product, process or design, patented or otherwise, that may in any way be related to or disclosed by said drawings, specifications, or other data.	MATERIAL	DRAWN	DATE	TITLE		Amphenol RF www.amphenolrf.com	
	-	JONA	06-Nov-14				SMA P.C. MOUNT PLUG
	REFERENCE AND CONFIGURATION LEVEL: <input type="checkbox"/> <input type="checkbox"/>	APPROVED	DATE	SCALE: 4.0:1.0			SHEET 2 OF 2
	FINISH	S.HSIEH	06-Nov-14	DWG SIZE	REV		E
			B			DRAWING NO. SMA1251A1-3GT50G-50 ITEM NO. 111251AAEAIGA5F PART NO. 901-9895-RFX	

Mouser Electronics

Authorized Distributor

Click to View Pricing, Inventory, Delivery & Lifecycle Information:

[Amphenol:](#)

[901-9895-RFX](#)