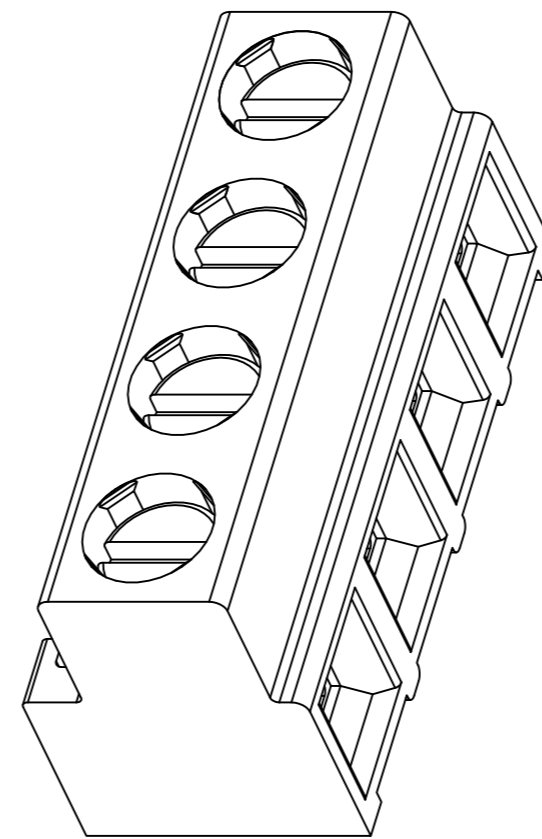
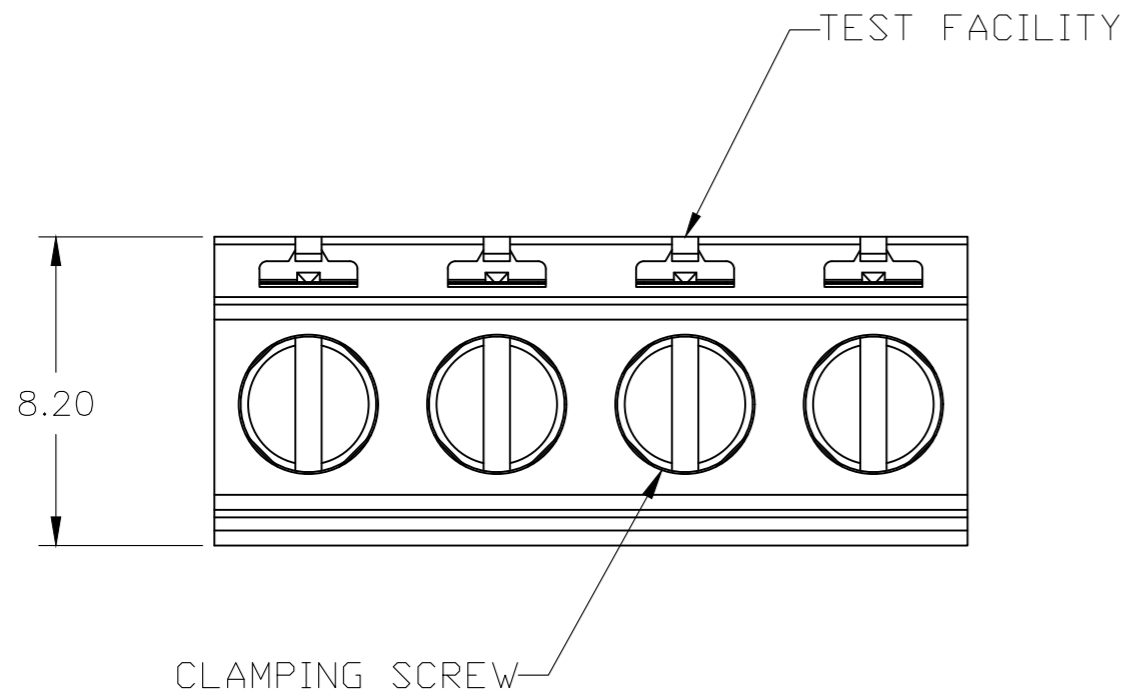


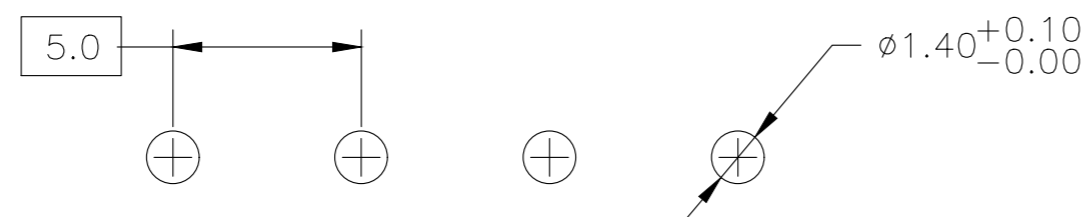
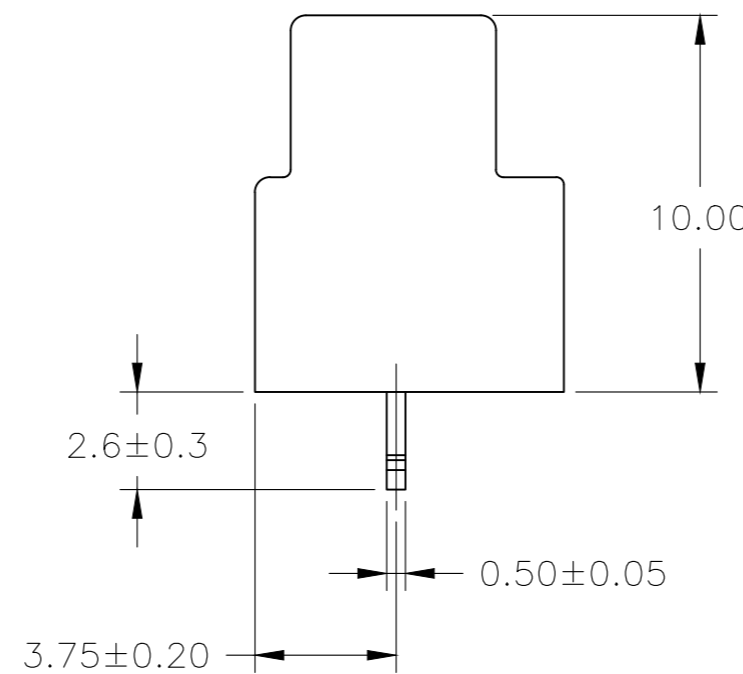
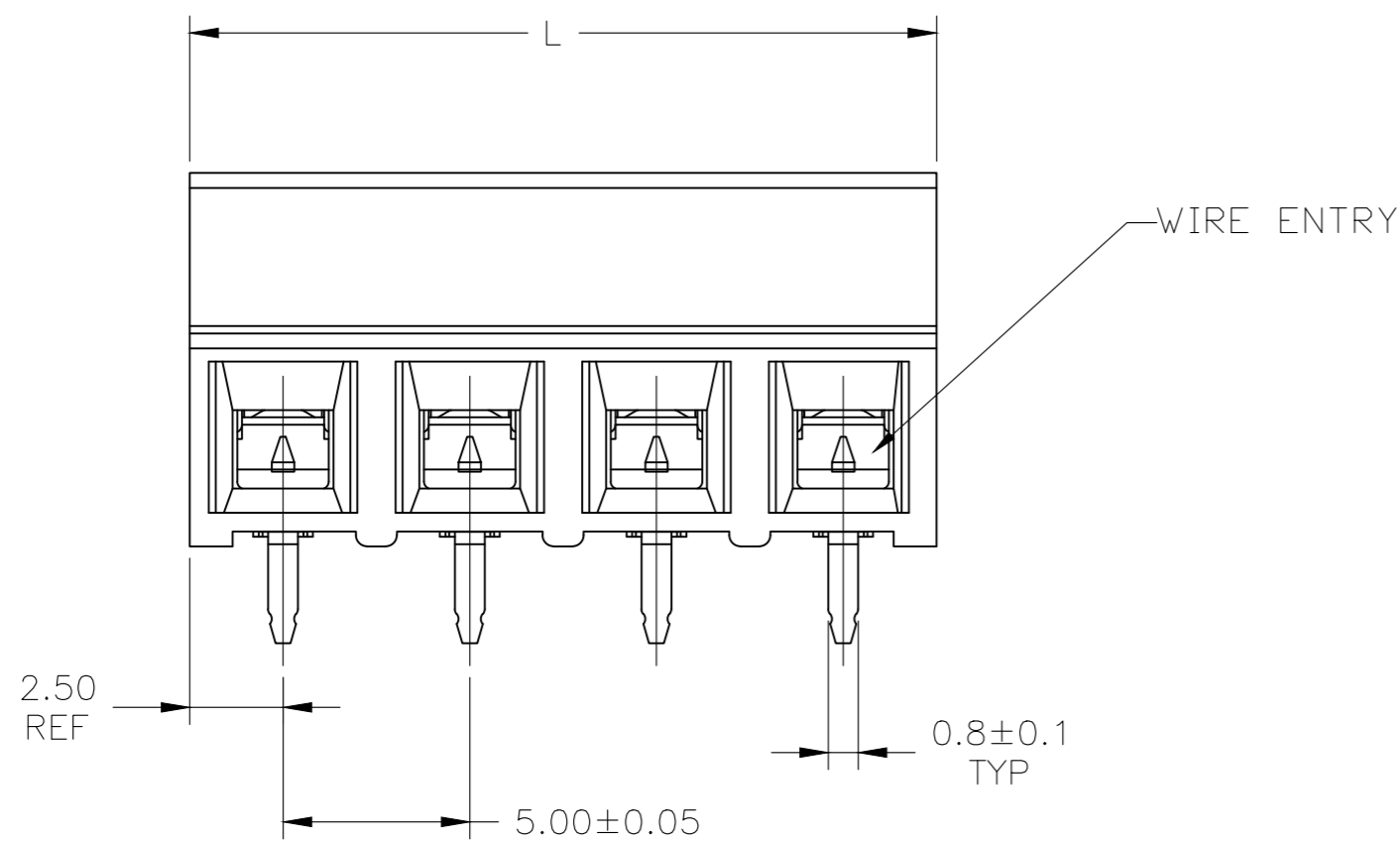
THIS DRAWING IS UNPUBLISHED. RELEASED FOR PUBLICATION  
 © COPYRIGHT - TE Connectivity ALL RIGHTS RESERVED.

REVISIONS				
P	LTR	DESCRIPTION	DATE	APVD
	A2	PART STATUS UPDATED	11JAN2018	RK PS



1776118-4 AS SHOWN

- 1 MATERIAL AND FINISH:  
 HOUSING: HIGH TEMP POLYAMIDE, UL 94V-0 RATED,  
 COLOR - BLACK  
 CLAMP: BRASS, NICKEL PLATED  
 TERMINAL: BRASS, TIN PLATED  
 CLAMPING SCREW: M3, BRASS, NICKEL PLATED
- 2 END-TO-END STACKABLE WITHOUT LOSS OF CENTERLINE SPACING
- 3 WIRE SIZE RANGE: 16-28 AWG
- 4 RECOGNIZED UNDER THE COMPONENT PROGRAM OF UNDERWRITERS LABORATORIES INC. FILE NO. E60677
- 5 IMQ CERTIFICATE WITH SURVEILLANCE IN COMFORMITY WITH IEC 998-17998-2-1.



RECOMMENDED PC BOARD LAYOUT

OBsolete	TAPE AND REEL	15.0	3	1-1776118-3
-	-	40.0	8	1776118-8
-	-	35.0	7	1776118-7
-	-	30.0	6	1776118-6
-	-	25.0	5	1776118-5
-	-	20.0	4	1776118-4
-	-	15.0	3	1776118-3
-	-	10.0	2	1776118-2
PACKAGING		L.	NUMBER OF POSN.	PART NO.

THIS DRAWING IS A CONTROLLED DOCUMENT.		DWN JR_RUTH 28OCT2010	TE Connectivity	
DIMENSIONS: mm		CHK C. RICHARD 28OCT10		
TOLERANCES UNLESS OTHERWISE SPECIFIED:		APVD C. RICHARD 28OCT10	NAME TERMINAL BLOCK ASSEMBLY, PCB MOUNT, SIDE ENTRY WIRE, STACKING 5.00mm PITCH	
0 PLC ± -		PRODUCT SPEC	SIZE CAGE CODE DRAWING NO RESTRICTED TO	
1 PLC ± .2		APPLICATION SPEC	A2 00779 C-1776118	
2 PLC ± .15		WEIGHT	SCALE 5:1 SHEET 1 of 1 REV A2	
3 PLC ± -		CUSTOMER DRAWING		
4 PLC ± -				
ANGLES ± -				
MATERIAL 1				
FINISH 1				

# Mouser Electronics

Authorized Distributor

Click to View Pricing, Inventory, Delivery & Lifecycle Information:

[TE Connectivity:](#)

[1776118-3](#)