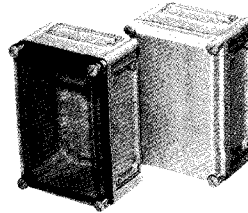
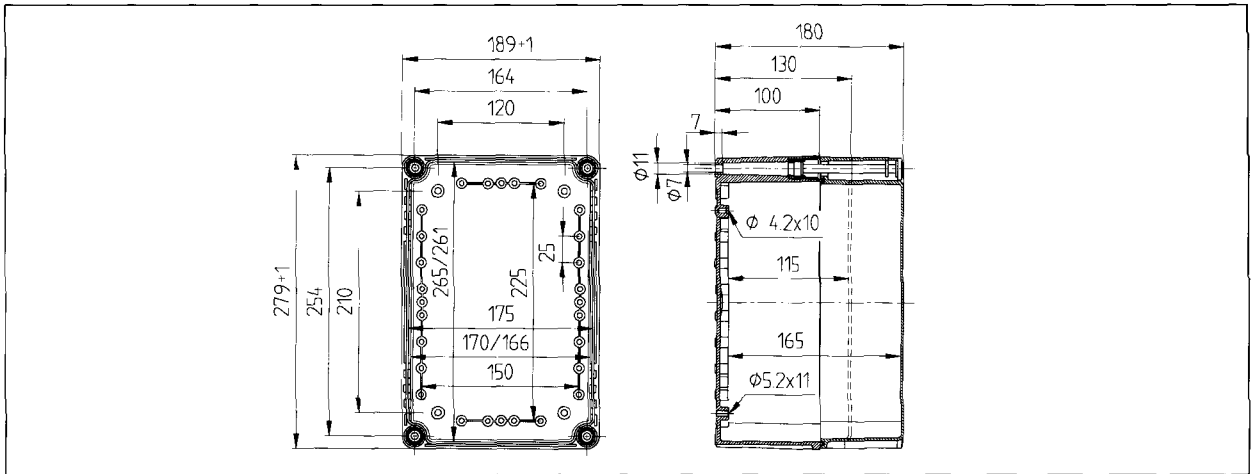


POLYCARBONATE ENCLOSURES



Two versions available of this enclosure. Only the European version includes an internal edge to support the front plate.

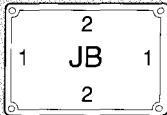
EK-J
280x190 mm
IP 67



ENCLOSURE MUST BE ORDERED IN PARTS:

BASE ALTERNATIVES

2 x size 1 flange and 2x size 2 flange



	Depth 130mm		Depth 180mm	
	TRANSP. COVER	GREY COVER	TRANSP. COVER	GREY COVER
BASE	→ EKJB	EKJB	EKJB	EKJB
COVER	→ EKJ 30-T	EKJ 30-G	EKJ 80-T	EKJ 80-G
SCREWS	→ 4 x SS 10256	4 x SS 10256	4 x SS 10563	4 x SS 10563

ORDER THESE ENCLOSURE PARTS TO GET . . .

... THIS COMPLETE ENCLOSURE

BASE*)	COVER TRANSPARENT		COVER GREY		SLOTTED COVER SCREWS**)		SYMBOL
	30 mm	80 mm	30 mm	80 mm	30 mm	80 mm	
JB							
EKJB	EKJ 30-T	EKJ 80-T	EKJ 30-G	EKJ 80-G	SS 10256	SS 10563	
1	1				4		EKJB 130 T
1			1		4		EKJB 130 G
1		1				4	EKJB 180 T
1				1		4	EKJB 180 G

*) Including mounting screws.

**)For other screw options see page 199

EK-J ACCESSORIES

- Mounting plate 238x148 mm EKJVT
- Rail 160 mm DIN-35 EKJ12
- Rail 235 mm DIN-35 EKJ22

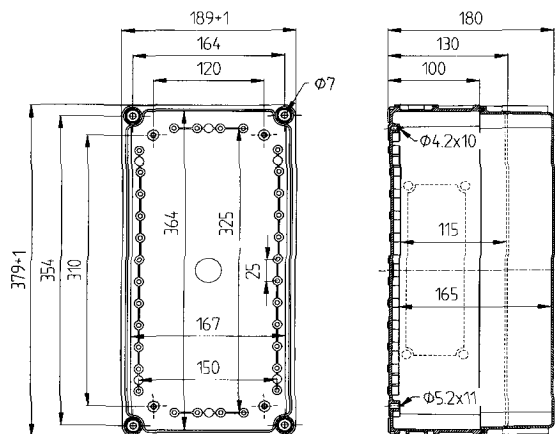
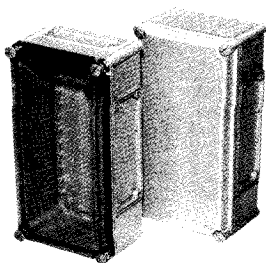
SYMBOLS

- Rail 164 mm DIN-32 EKJ14
- Rail 239 mm DIN-32 EKJ24
- Extension frame 50 mm EKJZR

FIBOX EK

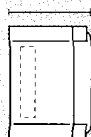
POLYCARBONATE ENCLOSURES

EK-M
380x190 mm
IP 67

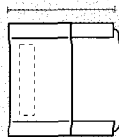


ENCLOSURE MUST BE ORDERED IN PARTS:

Depth 130mm



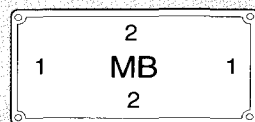
Depth 180mm



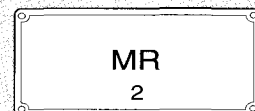
TRANSP. COVER GREY COVER
 BASE → **EKMB** **EKMB**
 COVER → **EKM 30-T** **EKM 30-G**
 SCREWS → **4 x SS 10256** **4 x SS 10256**

TRANSP. COVER GREY COVER
 BASE → **EKMB** **EKMB**
 COVER → **EKM 80-T** **EKM 80-G**
 SCREWS → **4 x SS 10563** **4 x SS 10563**

BASE ALTERNATIVES



2 x size 1
flange and
2 x size 2
flange



1 x size 2
flange

TRANSP. COVER GREY COVER
 BASE → **EKMR** **EKMR**
 COVER → **EKM 30-T** **EKM 30-G**
 SCREWS → **4 x SS 10256** **4 x SS 10256**

TRANSP. COVER GREY COVER
 BASE → **EKMR** **EKMR**
 COVER → **EKM 80-T** **EKM 80-G**
 SCREWS → **4 x SS 10563** **4 x SS 10563**

ORDER THESE ENCLOSURE PARTS TO GET ...

... THIS COMPLETE ENCLOSURE

BASE*)		COVER TRANSPARENT		COVER GREY		SLOTTED COVER SCREWS**)		SYMBOL
MB	MR	30 mm	80 mm	30 mm	80 mm	30 mm	80 mm	
EKMB	EKMR	EKM 30-T	EKM 80-T	EKM 30-G	EKM 80-G	SS 10256	SS 10563	
1		1				4		EKMB 130 T
1				1		4		EKMB 130 G
	1	1				4		EKMR 130 T
	1			1		4		EKMR 130 G
1			1				4	EKMB 180 T
1					1		4	EKMB 180 G
	1		1				4	EKMR 180 T
	1				1		4	EKMR 180 G

*) Including mounting screws.

**) For other screw options see page 199

EK-M ACCESSORIES

Mounting plate 338x148 EKMVT
 Rail 160 mm ┌ DIN-35 EKV12
 Rail 335 mm ┌ DIN-35 EKV32

SYMBOLS

Rail 164 mm ┌ DIN-32 EKV14
 Rail 339 mm ┌ DIN-32 EKV34
 Extension frame 50 mm EKMZR

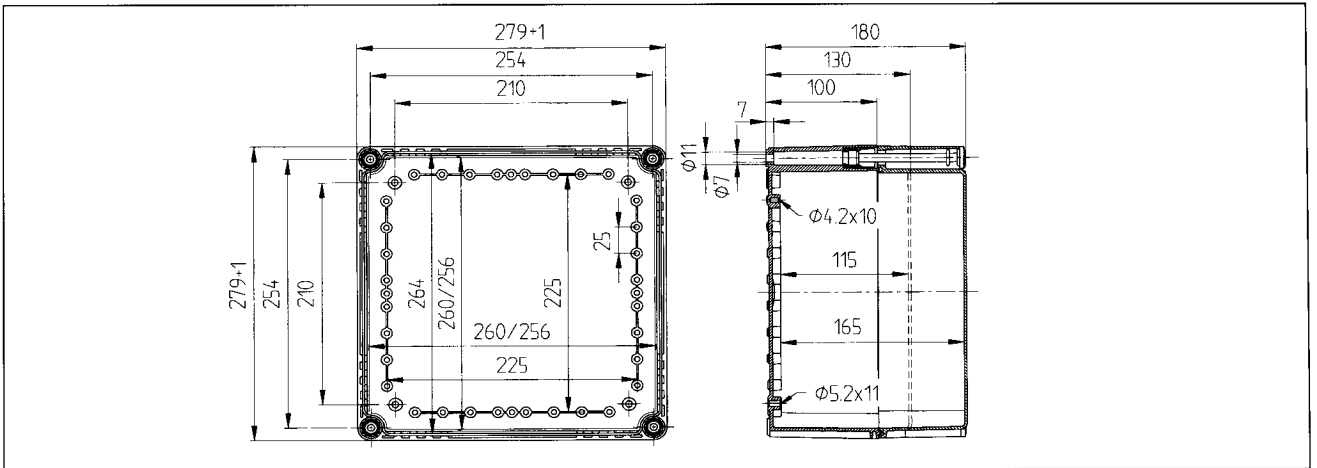
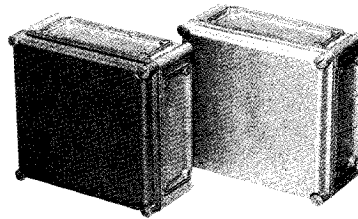
ALL OTHER ACCESSORIES ON PAGES 197-201

POLYCARBONATE ENCLOSURES

EK-O

280x280 mm
IP 67

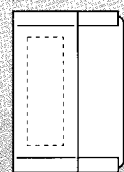
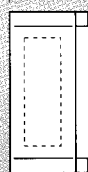
Two versions available of this enclosure. Only the European version includes an internal edge to support the front plate.



ENCLOSURE MUST BE ORDERED IN PARTS:

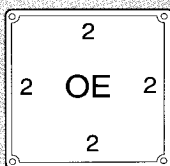
Depth 130mm

Depth 180mm



BASE ALTERNATIVES

4 x size 2 flange



	TRANSP. COVER	GREY COVER	TRANSP. COVER	GREY COVER
BASE	EKOE	EKOE	EKOE	EKOE
COVER	EKO 30 T	EKO 30 T	EKO 80 G	EKO 80 G
SCREWS	4 x SS 10256	4 x SS 10256	4 x SS 10563	4 x SS 10563

ORDER THESE ENCLOSURE PARTS TO GET ...

... THIS COMPLETE ENCLOSURE

BASE*)	COVER TRANSPARENT		COVER GREY		SLOTTED COVER SCREWS**)		SYMBOL
	30 mm	80 mm	30 mm	80 mm	30 mm	80 mm	
EKOE	EKO 30-T	EKO 80-T	EKO 30-G	EKO 80-G	SS 10256	SS 10563	
1	1				4		EKOE 130 T
1			1		4		EKOE 130 G
1		1				4	EKOE 180 T
1				1		4	EKOE 180 G

*) Including mounting screws.

**)For other screw options see page 199

EK-O ACCESSORIES

Mounting plate 238x238 mm EKOV2
Rail 235 mm L DIN-35 EKV22

SYMBOLS

Rail 239 mm □ DIN-32 EKV24
Extension frame 50 mm EKOZR

ALL OTHER ACCESSORIES ON PAGES 197-201

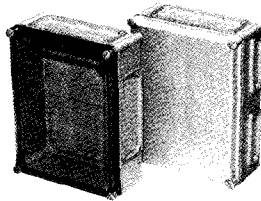
FIBOX EK

POLYCARBONATE ENCLOSURES

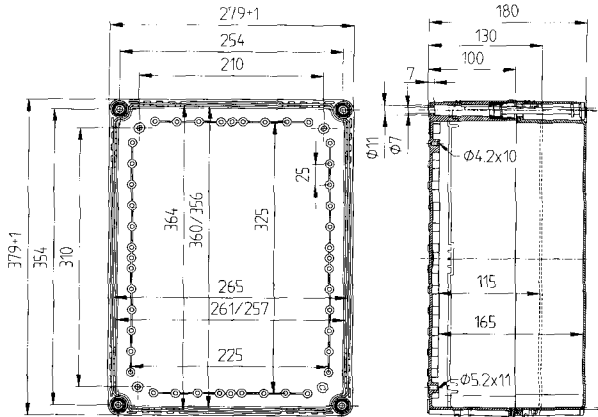
EK-P

380x280 mm

IP 67

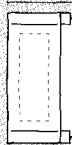


Two versions available of this enclosure. Only the European version includes an internal edge to support the front plate.

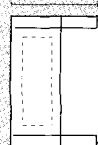


ENCLOSURE MUST BE ORDERED IN PARTS:

Depth 130mm

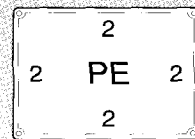


Depth 180mm

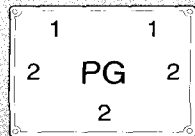


	TRANS. COVER	GREY COVER	TRANS. COVER	GREY COVER
BASE →	EKPE	EKPE	EKPE	EKPE
COVER →	EKP 30-T	EKP 30-G	EKP 80-T	EKP 80-G
SCREWS →	4 x SS 10256	4 x SS 10256	4 x SS 10563	4 x SS 10563
	TRANS. COVER	GREY COVER	TRANS. COVER	GREY COVER
BASE →	EKPG	EKPG	EKPG	EKPG
COVER →	EKP 30-T	EKP 30-G	EKP 80-T	EKP 80-G
SCREWS →	4 x SS 10256	4 x SS 10256	4 x SS 10563	4 x SS 10563

BASE ALTERNATIVES



4 x size 2 flange



2 x size 1 flange and 3 x size 2 flange

ORDER THESE ENCLOSURE PARTS TO GET ...

... THIS COMPLETE ENCLOSURE

BASE*)		COVER TRANSPARENT		COVER GREY		SLOTTED COVER SCREWS**)		SYMBOL
PE	PG	30 mm	80 mm	30 mm	80 mm	30 mm	80 mm	
EKPE	EKPG	EKP 30-T	EKP 80-T	EKP 30-G	EKP 80-G	SS 10256	SS 10563	
1		1				4		EKPE 130 T
1				1		4		EKPE 130 G
	1	1				4		EKPG 130 T
	1			1		4		EKPG 130 G
1			1				4	EKPE 180 T
1					1		4	EKPE 180 G
	1		1				4	EKPG 180 T
	1				1		4	EKPG 180 G

*) Including mounting screws.

**) For other screw options see page 199

EK-P ACCESSORIES

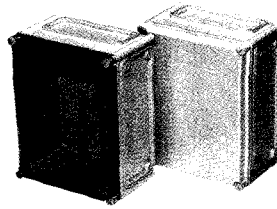
- Mounting plate 338x238 mm. EKPVT
- Rail 235 mm ┘ DIN-35 EKV22
- Rail 335 mm ┘ DIN-35 EKV32

SYMBOLS

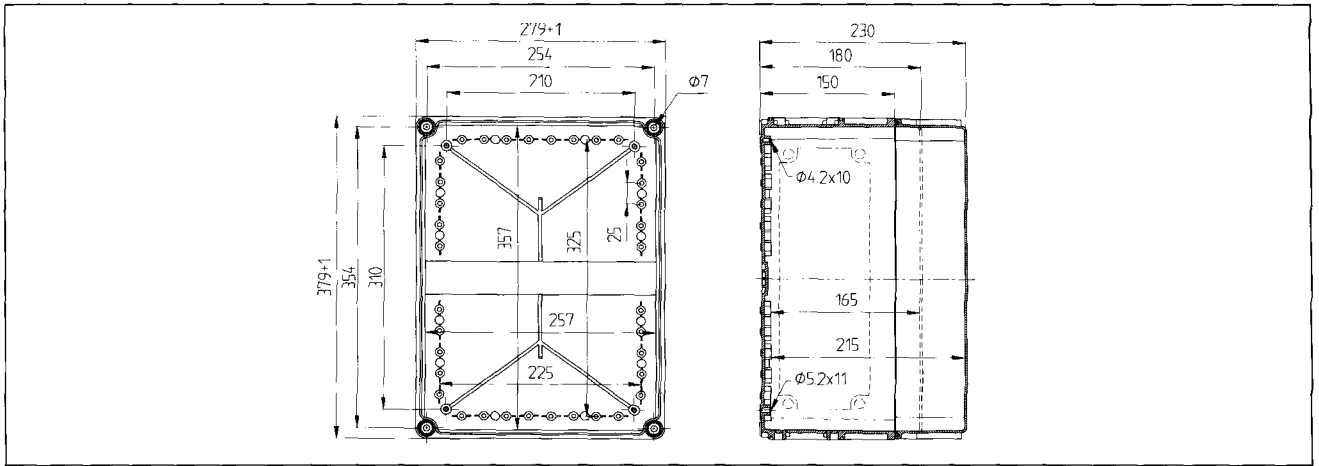
- Rail 239 mm ┘ DIN-32 EKV24
- Rail 339 mm ┘ DIN-32 EKV34
- Extension frame 50 mm EKPZR

ALL OTHER ACCESSORIES ON PAGES 197-201

POLYCARBONATE ENCLOSURES



EK-P
380x280 mm
IP 67



ENCLOSURE MUST BE ORDERED IN PARTS:

		Depth 180mm		Depth 230mm				
BASE ALTERNATIVES								
3 x size 2 flange and 1 x size 3 flange	<table border="1" style="width: 60px; height: 60px; margin: auto;"> <tr><td style="text-align: center;">2</td></tr> <tr><td style="text-align: center;">2 PK 2</td></tr> <tr><td style="text-align: center;">3</td></tr> </table>	2	2 PK 2	3	TRANSP. COVER → EKPK COVER → EKP 30-T SCREWS → 4 x SS 10256	GREY COVER → EKPK COVER → EKP 30-G SCREWS → 4 x SS 10256	TRANSP. COVER → EKPK COVER → EKP 80-T SCREWS → 4 x SS 10563	GREY COVER → EKPK COVER → EKP 80-G SCREWS → 4 x SSB 10563
2								
2 PK 2								
3								
2 x size 2 flange and 2 x size 3 flange	<table border="1" style="width: 60px; height: 60px; margin: auto;"> <tr><td style="text-align: center;">3</td></tr> <tr><td style="text-align: center;">2 PL 2</td></tr> <tr><td style="text-align: center;">3</td></tr> </table>	3	2 PL 2	3	TRANSP. COVER → EKPL COVER → EKP 30-T SCREWS → 4 x SS 10256	GREY COVER → EKPL COVER → EKP 30-G SCREWS → 4 x SS 10256	TRANSP. COVER → EKPL COVER → EKP 80-T SCREWS → 4 x SS 10563	GREY COVER → EKPL COVER → EKP 80-G SCREWS → 4 x SS 10563
3								
2 PL 2								
3								

ORDER THESE ENCLOSURE PARTS TO GET THIS COMPLETE ENCLOSURE
BASE*)		COVER TRANSPARENT		COVER GREY		SLOTTED COVER SCREWS**)		SYMBOL
PK	PL	30 mm	80 mm	30 mm	80 mm	30 mm	80 mm	
EKPK	EKPL	EKP 30-T	EKP 80-T	EKP 30-G	EKP 80-G	SS 10256	SS 10563	
1		1				4		EKPK 180 T
1				1		4		EKPK 180 G
	1	1				4		EKPL 180 T
	1			1		4		EKPL 180 G
1			1				4	EKPK 230 T
1					1		4	EKPK 230 G
	1		1				4	EKPL 230 T
	1				1		4	EKPL 230 G

*) Including mounting screws.

**) For other screw options see page 199

EK-P ACCESSORIES

- Mounting plate 338x238 mm EKPV
- Rail 235 mm EKV22
- Rail 335 mm EKV32

SYMBOLS

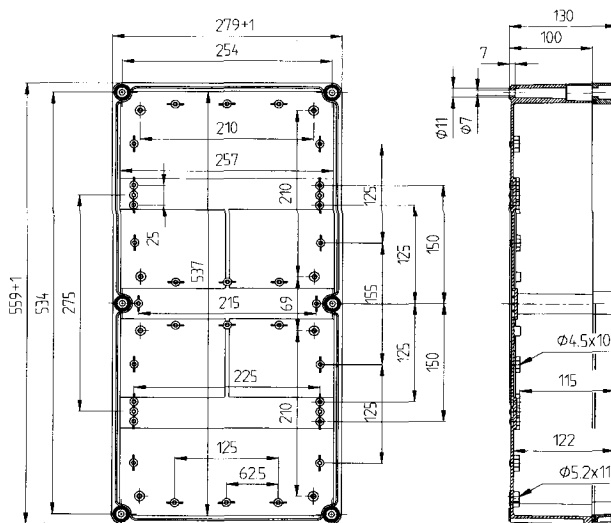
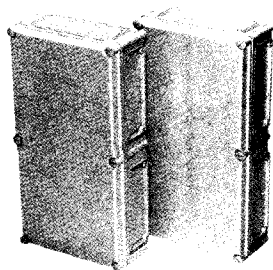
- Rail 239 mm EKV24
- Rail 339 mm EKV34
- Extension frame 50 mm EKPZR

ALL OTHER ACCESSORIES ON PAGES 197-201

FIBOX EK

POLYCARBONATE ENCLOSURES

EK-T 560x280 mm IP 67



ENCLOSURE MUST BE ORDERED IN PARTS:

BASE ALTERNATIVES



6 x size 2 flange

Depth 130mm

- | | | | |
|--------|---|---------------------|---------------------|
| | → | TRANSP. COVER | GREY COVER |
| BASE | → | EKTH | EKTH |
| COVER | → | EKT 30-T | EKT 30-G |
| SCREWS | → | 6 x SS 10256 | 6 x SS 10256 |



ORDER THESE ENCLOSURE PARTS TO GET . . .

... THIS COMPLETE ENCLOSURE

BASE*)	COVER TRANSPARENT	COVER GREY	SLOTTED COVER SCREWS**)	
TH	30 mm	30 mm	30 mm	SYMBOL
EKTH	EKT 30-T	EKT 30-G	SS 10256	
1	1		6	EKTH 130 T
		1	6	EKTH 130 G

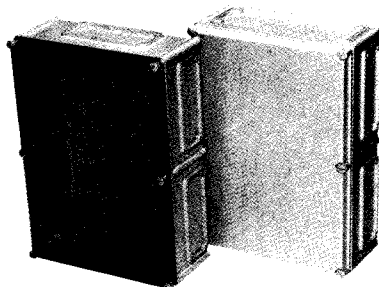
*) Including mounting screws.

**) For other screw options see page 199

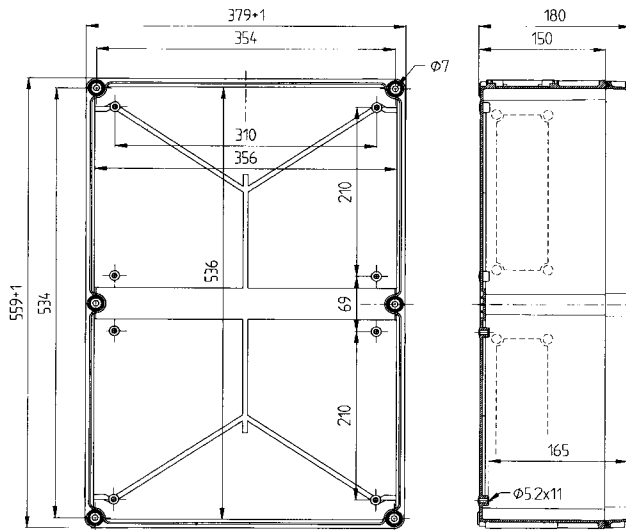
- EK-T ACCESSORIES** **SYMBOLS**
 Mounting plate 518x238 mm EKTVT
 Extension frame 50 mm EKTZR

ALL OTHER ACCESSORIES ON PAGES 197-201

POLYCARBONATE ENCLOSURES



EK-U
560x380 mm
IP 67



ENCLOSURE MUST BE ORDERED IN PARTS:

BASE ALTERNATIVES

6 x size 2 flange	5 x size 2 flange and 1 x size 3 flange	4 x size 2 flange and 2 x size 3 flange
2 2 2 UH 2 2 2	3 2 2 UM 2 2 2	3 2 2 UN 2 2 3
TRANSP. COVER → EKUH COVER → EKU 30-T SCREWS → 6 x SS 10256	TRANSP. COVER EKUM EKU 30-T 6 x SS 10256	TRANSP. COVER EKUN EKU 30-T 6 x SS 10256
GREY COVER BASE → EKUH COVER → EKU 30-G SCREWS → 6 x SS 10256	GREY COVER EKUM EKU 30-G 6 x SS 10256	GREY COVER EKUN EKU 30-G 6 x SS 10256

Depth 180mm

ORDER THESE ENCLOSURE PARTS TO GET ...

BASE*)		COVER TRANSPARENT	COVER GREY	SLOTTED COVER SCREWS**)	... THIS COMPLETE ENCLOSURE
UH	UM	30 mm	30 mm	30 mm	SYMBOL
EKUH	EKUM	EKU 30-T	EKU 30-G	SS 10256	
1		1		6	EKUH 180 T
1			1	6	EKUM 180 G
	1	1		6	EKUM 180 T
	1		1	6	EKUN 180 G

*) Including mounting screws. **) For other screw options see page 199

EK-U ACCESSORIES **SYMBOLS**
 Mounting plate 518x338 mmEKUVT
 Extension frame 50 mmEKUZR