

PCV 6-16/ 2-G1F-10,16 - PCB header



1998865

<https://www.phoenixcontact.com/us/products/1998865>

Please be informed that the data shown in this PDF document is generated from our Online Catalog. Please find the complete data in the user documentation. Our General Terms of Use for Downloads are valid.



PCB headers, nominal cross section: 16 mm², color: green, nominal current: 76 A (41 A in combination with PC 6 plug), rated voltage (III/2): 1000 V, contact surface: Silver, type of contact: Pin, number of potentials: 2, number of rows: 1, number of positions: 2, number of connections: 2, product range: PCV 6-16/..-G1F, pitch: 10.16 mm, mounting: Wave soldering, pin layout: Linear pinning, solder pin [P]: 4 mm, number of solder pins per potential: 3, plug-in system: COMBICON PC 16, Pin connector pattern alignment: Standard, locking: Screw locking, mounting: Threaded flange, type of packaging: packed in cardboard

Your advantages

- Well-known mounting principle allows worldwide use
- Screwable flange for superior mechanical stability
- Maximum flexibility when it comes to device design – one header for connectors with different connection technologies

Commercial Data

Item number	1998865
Packing unit	1 pc
Minimum order quantity	50 pc
Sales Key	AA05
Product Key	AAESBF
Catalog Page	Page 569 (C-1-2013)
GTIN	4046356038362
Weight per Piece (including packing)	14.506 g
Weight per Piece (excluding packing)	13.197 g
Customs tariff number	85366930
Country of origin	PL

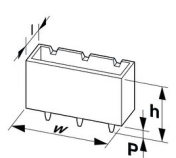
PCV 6-16/ 2-G1F-10,16 - PCB header

1998865

<https://www.phoenixcontact.com/us/products/1998865>

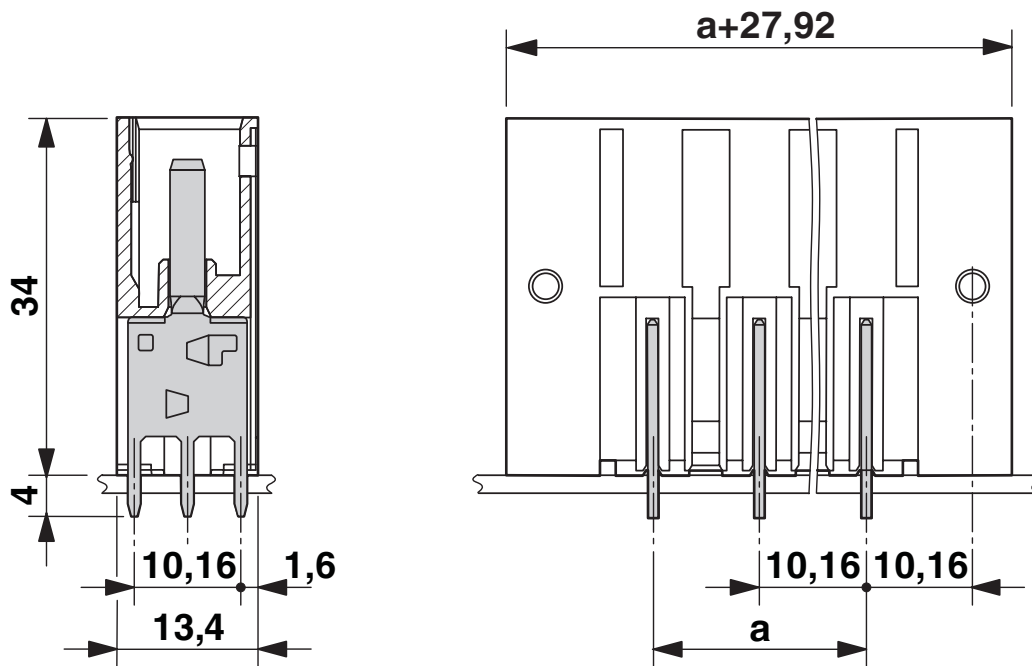
Technical Data

Dimensions

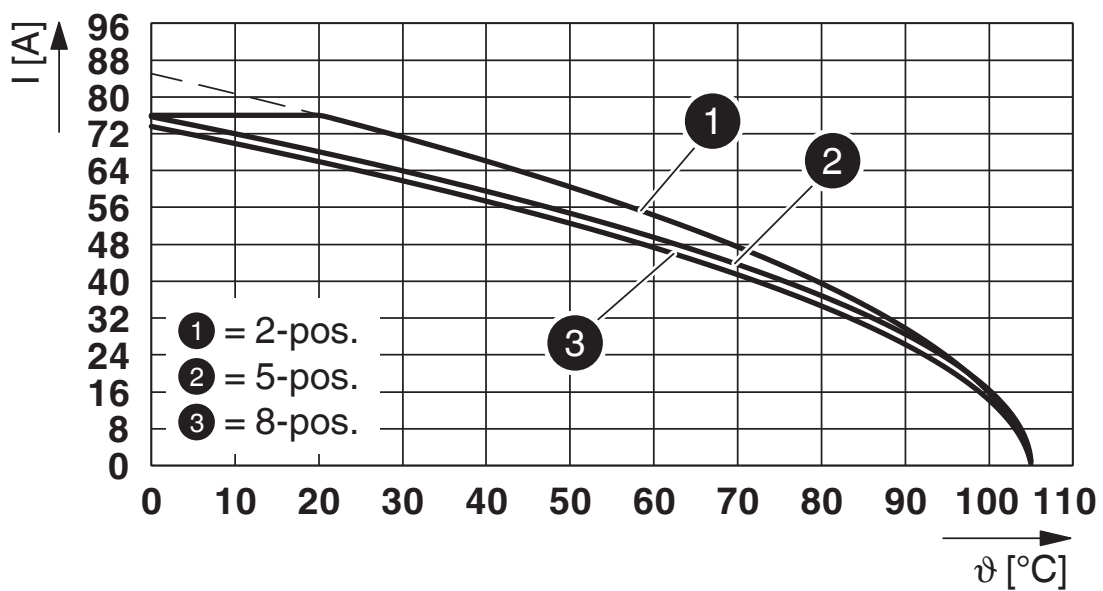
Dimensional drawing	
Pitch	10.16 mm
Width [w]	38.08 mm
Height [h]	34 mm
Length [l]	13.4 mm
Installed height	38 mm
Solder pin length [P]	4 mm

Drawings

Dimensional drawing

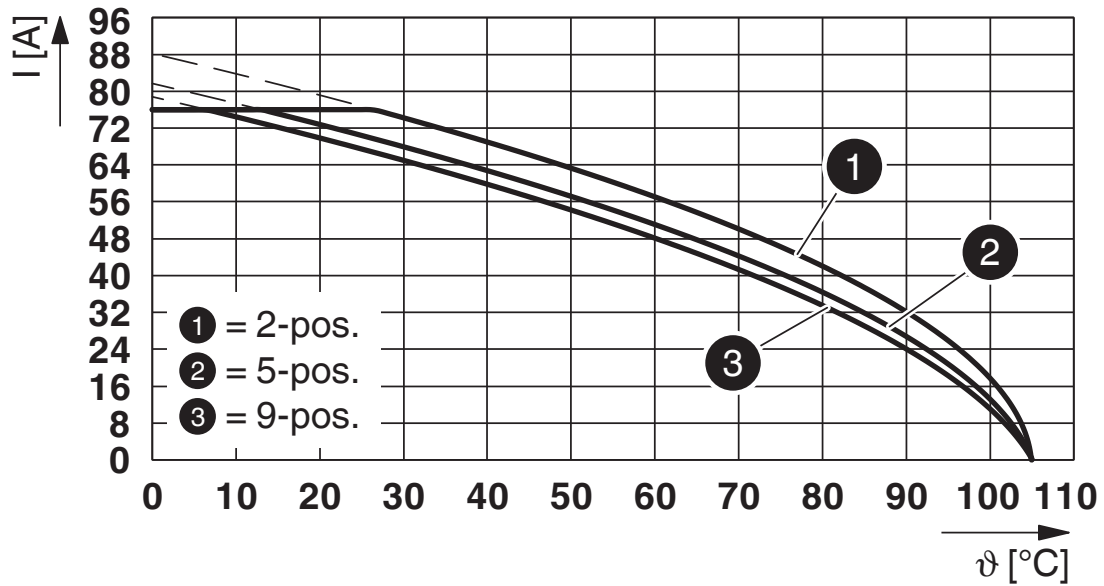


Diagram



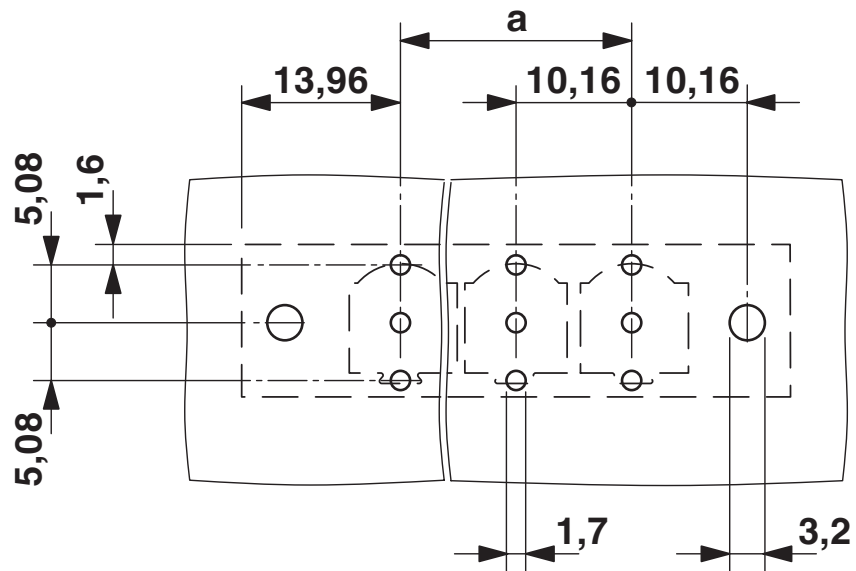
Type: PC 16/...-STF-10,16 with PCV 6-16/...-G1F-10,16

Diagram



Type: SPC 16/...-STF-10,16 with PCV 6-16/...-G1F-10,16

Drilling plan/solder pad geometry



PCV 6-16/ 2-G1F-10,16 - PCB header




1998865

<https://www.phoenixcontact.com/us/products/1998865>

Approvals

 **EAC**
Approval ID: B.01687

 **cULus Recognized**
Approval ID: E60425-20040202

 **IECEE CB Scheme**
Approval ID: DE1-66677

 **VDE Zeichengenehmigung**
Approval ID: 40055586

PCV 6-16/ 2-G1F-10,16 - PCB header



1998865

<https://www.phoenixcontact.com/us/products/1998865>

Classifications

ECLASS

ECLASS-10.0.1	27440402
ECLASS-11.0	27460201
ECLASS-12.0	27460201

ETIM

ETIM 8.0	EC002637
----------	----------

UNSPSC

UNSPSC 21.0	39121400
-------------	----------

PCV 6-16/ 2-G1F-10,16 - PCB header



1998865

<https://www.phoenixcontact.com/us/products/1998865>

Environmental Product Compliance

China RoHS	Environmentally friendly use period: unlimited = EFUP-e
	No hazardous substances above threshold values

PCV 6-16/ 2-G1F-10,16 - PCB header

1998865

<https://www.phoenixcontact.com/us/products/1998865>

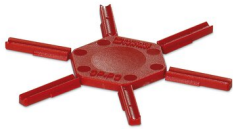
Accessories

CP-PC RD - Coding profile

1701967

<https://www.phoenixcontact.com/us/products/1701967>

Coding profile, for plugging into the coding ribs of the plug at a later date, insulating material, color: Red



DFK-PC 16-SS - Accessories

1705449

<https://www.phoenixcontact.com/us/products/1705449>

Screw set for DFK-PC 16... connectors



PCV 6-16/ 2-G1F-10,16 - PCB header

1998865

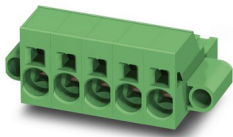
<https://www.phoenixcontact.com/us/products/1998865>



SPC 16/ 2-STF-10,16 - PCB connector

1711378

<https://www.phoenixcontact.com/us/products/1711378>



PCB connector, nominal cross section: 16 mm², color: green, nominal current: 76 A, rated voltage (III/2): 1000 V, contact surface: Silver, type of contact: Socket, number of potentials: 2, number of rows: 1, number of positions: 2, number of connections: 2, product range: SPC 16/..-STF, pitch: 10.16 mm, connection method: Push-in spring connection, conductor/PCB connection direction: 0 °, locking clip: - without locking clip, plug-in system: COMBICON PC 16, locking: Screw locking, mounting: Screw flange, type of packaging: packed in cardboard

TPC 16/ 2-STF-10,16 - PCB connector

1715251

<https://www.phoenixcontact.com/us/products/1715251>



PCB connector, nominal cross section: 16 mm², color: green, nominal current: 76 A, rated voltage (III/2): 1000 V, contact surface: Silver, type of contact: Socket, number of potentials: 2, number of rows: 1, number of positions: 2, number of connections: 4, product range: TPC 16/..-STF, pitch: 10.16 mm, connection method: Screw connection with tension sleeve, screw head form: L Slotted, conductor/PCB connection direction: 50 °, locking clip: - without locking clip, plug-in system: COMBICON PC 16, locking: Screw locking, mounting: Screw flange, type of packaging: packed in cardboard

PCV 6-16/ 2-G1F-10,16 - PCB header



1998865

<https://www.phoenixcontact.com/us/products/1998865>

PC 6/ 2-STF-10,16 - PCB connector

1913578

<https://www.phoenixcontact.com/us/products/1913578>



PCB connector, nominal cross section: 6 mm², color: green, nominal current: 41 A, rated voltage (III/2): 1000 V, contact surface: Silver, type of contact: Socket, number of potentials: 2, number of rows: 1, number of positions: 2, number of connections: 2, product range: PC 6/..-STF, pitch: 10.16 mm, connection method: Screw connection with tension sleeve, screw head form: L Slotted, conductor/PCB connection direction: 0 °, locking clip: - without locking clip, plug-in system: COMBICON PC 16, locking: Screw locking, mounting: Screw flange, type of packaging: packed in cardboard

PC 16/ 2-STF-10,16 - PCB connector

1967456

<https://www.phoenixcontact.com/us/products/1967456>



PCB connector, nominal cross section: 16 mm², color: green, nominal current: 76 A, rated voltage (III/2): 1000 V, contact surface: Silver, type of contact: Socket, number of potentials: 2, number of rows: 1, number of positions: 2, number of connections: 2, product range: PC 16/..-STF, pitch: 10.16 mm, connection method: Screw connection with tension sleeve, screw head form: L Slotted, conductor/PCB connection direction: 0 °, locking clip: - without locking clip, plug-in system: COMBICON PC 16, locking: Screw locking, mounting: Screw flange, type of packaging: packed in cardboard

Phoenix Contact 2023 © - all rights reserved
<https://www.phoenixcontact.com>

Phoenix Contact USA
586 Fulling Mill Road
Middletown, PA 17057, United States
(+717) 944-1300
info@phoenixcon.com