



IP67 plastic hoods  
IP67 metallized plastic hoods  
for rear mount

| Identification | No. of contacts | Part number | Drawing | Dimensions in mm |
|----------------|-----------------|-------------|---------|------------------|
|----------------|-----------------|-------------|---------|------------------|

D-Sub

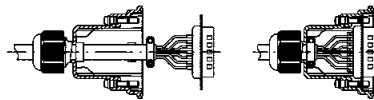
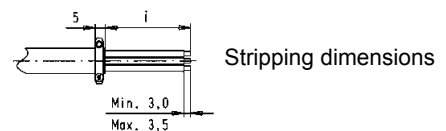
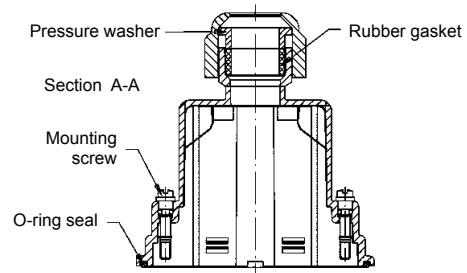
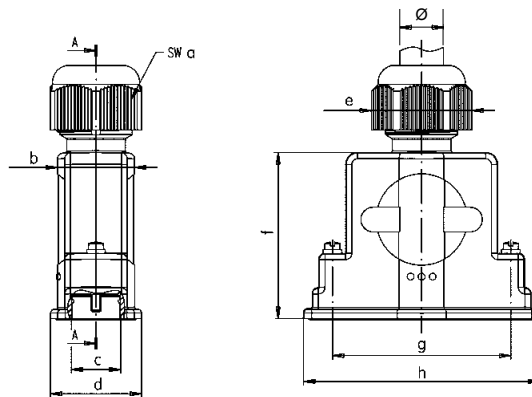
| Hood <sup>1)</sup>  | No. of contacts | Part number   |
|---------------------|-----------------|---------------|
| Black thermoplastic | 9               | 09 67 009 043 |
|                     | 15              | 09 67 015 043 |
|                     | 25              | 09 67 025 043 |
|                     | 37              | 09 67 037 043 |
|                     | 50              | 09 67 050 043 |

Metallized thermo-  
plastic

|    |               |
|----|---------------|
| 9  | 09 67 009 053 |
| 15 | 09 67 015 053 |
| 25 | 09 67 025 053 |
| 37 | 09 67 037 053 |
| 50 | 09 67 050 053 |

Please insert digit  
for screw option

|                                   |   |
|-----------------------------------|---|
| Locking screw,<br>thread 4-40 UNC | 8 |
| Locking screw,<br>thread M3       | 9 |



Mounting instructions:

- The peeled back cable braiding must not extend over the cable clamp, in order not to damage the gasket or to impair its performance.
- Pull back cable until cable clamp snaps into shielding plate.
- Snap connector into hood.

|    | a  | b    | c    | d    | e    | f    | g    | h    | i    | Ø    |      |
|----|----|------|------|------|------|------|------|------|------|------|------|
|    |    |      |      |      |      |      |      |      |      | min. | max. |
| 9  | 20 | 16.5 | 13.0 | 20.2 | 22.1 | 36.4 | 25.0 | 39.8 | 18.0 | 6.0  | 8.0  |
| 15 | 24 | 16.5 | 13.0 | 20.2 | 26.6 | 36.4 | 33.3 | 48.5 | 18.0 | 6.0  | 10.5 |
| 25 | 24 | 20.3 | 13.0 | 24.0 | 26.6 | 43.6 | 47.0 | 62.3 | 45.0 | 8.0  | 12.0 |
| 37 | 24 | 20.3 | 13.0 | 24.0 | 26.6 | 52.1 | 63.5 | 78.6 | 60.0 | 8.0  | 12.0 |
| 50 | 29 | 22.0 | 16.0 | 27.6 | 32.1 | 52.1 | 61.1 | 75.7 | 60.0 | 9.0  | 14.0 |

<sup>1)</sup> Not to be used with 9 to 50-pole crimp connectors

# Mouser Electronics

Authorized Distributor

Click to View Pricing, Inventory, Delivery & Lifecycle Information:

## HARTING:

[09670150538](#) [09670250439](#) [09670250538](#) [09670370439](#) [09670370539](#) [09670500439](#) [09670150438](#)  
[09670370538](#) [09670150539](#) [09670250438](#) [09670370438](#) [09670150439](#) [09670250539](#) [09670500539](#) [09670500438](#)  
[09670500538](#)