

# 4.0 A Output Current, High Speed Gate Drive Optocoupler in Stretched Body SOP 6-Pin

## FOD8343, FOD8343T

### Description

The FOD8343 series is a 4.0 A maximum peak output current gate drive optocoupler, capable of driving medium-power IGBT / MOSFETs. It is ideally suited for fast-switching driving of power IGBT and MOSFET used in motor-control inverter applications, and high-performance power systems.

The FOD8343 series utilizes stretched body package to achieve 8 mm creepage and clearance distances (FOD8343T), and optimized IC design to achieve reliably high-insulation voltage and high-noise immunity.

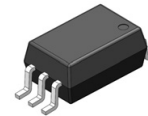
The FOD8343 series consists of an Aluminum Gallium Arsenide (AlGaAs) Light-Emitting Diode (LED) optically coupled to an integrated circuit with a high-speed driver for push-pull MOSFET output stage. The device is housed in a stretched body, 6-pin, small outline, plastic package.

### Features

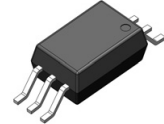
- FOD8343T – 8 mm Creepage and Clearance Distance, and 0.4 mm Insulation Distance to Achieve Reliable and High-Voltage Insulation
- 4.0 A Maximum Peak Output Current Driving Capability for Medium-Power IGBT/MOSFET
  - ◆ Use of P-Channel MOSFETs at Output Stage Enables Output Voltage Swing Close to Supply Rail
- 50 kV/μs Minimum Common Mode Rejection Wide Supply Voltage Range: 10 V to 30 V
- Fast Switching Speed Over Full Operating Temperature Range
  - ◆ 210 ns Maximum Propagation Delay
  - ◆ 65 ns Maximum Pulse Width Distortion Under-Voltage Lockout (UVLO) with Hysteresis
- Extended Industrial Temperature Range: -40°C to 100°C
- Safety and Regulatory Approvals:
  - ◆ UL1577, 5,000 V<sub>RMS</sub> for 1 Minute
  - ◆ DIN EN/IEC60747-5-5, 1,140 V Peak Working Insulation Voltage

### Application

- AC and Brushless DC Motor Drives
- Industrial Inverter
- Uninterruptible Power Supply Induction Heating
- Isolated IGBT/Power MOSFET Gate Drive

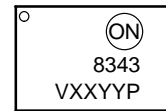


SOIC6  
CASE 751EL



SOIC6 W  
CASE 751EM

### MARKING DIAGRAM



8343 = Device Number

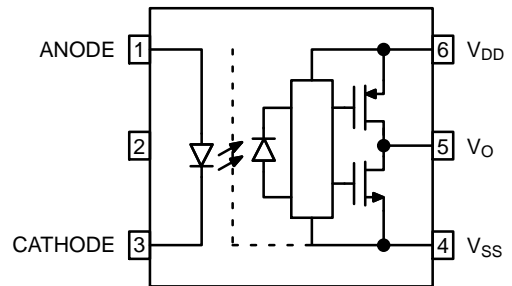
V = DIN EN/IEC60747-5-5 Option (Only Appears on Component Ordered with this Option)

XX = Two Digit Year Code, e.g. '15'

YY = Two Digit Work Week Ranging from '01' to '53'

P = Assembly Package Code

### FUNCTIONAL SCHEMATIC



### ORDERING INFORMATION

See detailed ordering and shipping information on page 14 of this data sheet.

### Related Resources

- [FOD3182](#), 3 A Output Current, High Speed MOSFET Gate Drive Optocoupler
- [FOD8314](#), [FOD8314T](#), 1.0 A Output Current, Gate Drive Optocoupler in Stretched Body SOP 6-Pin

# FOD8343, FOD8343T

## TRUTH TABLE

LED	$V_{DD} - V_{SS}$ "Positive Going" (Turn-on)	$V_{DD} - V_{SS}$ "Negative Going" (Turn-off)	$V_O$
Off	0 V to 30 V	0 V to 30 V	LOW
On	0 V to 7 V	0 V to 6.5 V	LOW
On	7 V to 9.5 V	6.5 V to 9 V	Transition
On	9.5 V to 30 V	9 V to 30 V	HIGH

## PIN DEFINITIONS

Pin No.	Symbol	Description
1	ANODE	LED Anode
2	N.C	Not Connection
3	CATHODE	LED Cathode
4	$V_{SS}$	Negative Supply Voltage
5	$V_O$	Output Voltage
6	$V_{DD}$	Positive Supply Voltage

## PIN CONFIGURATION

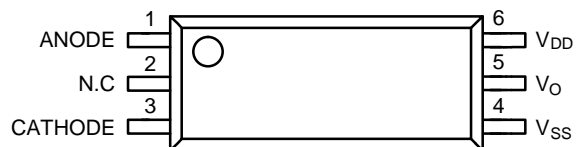


Figure 1. Pin Configuration

# FOD8343, FOD8343T

**SAFETY AND INSULATION RATINGS** (As per DIN EN/IEC60747–5–5, this optocoupler is suitable for “safe electrical insulation” only within the safety limit data. Compliance with the safety ratings shall be ensured by means of protective circuits.)

Parameter	Characteristics		
	FOD8343	FOD8343T	
Installation Classifications per DIN VDE 0110/1.89 Table 1, For Rated Mains Voltage	<150 V <sub>RMS</sub>	I–IV	I–IV
	<300 V <sub>RMS</sub>	I–IV	I–IV
	<450 V <sub>RMS</sub>	I–III	I–IV
	<600 V <sub>RMS</sub>	I–III	I–III
Climatic Classification	40/100/21	40/100/21	
Pollution Degree (DIN VDE 0110/1.89)	2	2	
Comparative Tracking Index	175	175	

Symbol	Parameter	Value		Unit
		FOD8343	FOD8343T	
V <sub>PR</sub>	Input-to-Output Test Voltage, Method B, V <sub>IORM</sub> × 1.875 = V <sub>PR</sub> , 100% Production Test with t <sub>m</sub> = 1 s, Partial Discharge < 5 pC	1,671	2,137	V <sub>peak</sub>
	Input-to-Output Test Voltage, Method A, V <sub>IORM</sub> × 1.6 = V <sub>PR</sub> , Type and Sample Test with t <sub>m</sub> = 10 s, Partial Discharge < 5 pC	1,426	1,824	V <sub>peak</sub>
V <sub>IORM</sub>	Maximum Working Insulation Voltage	891	1,140	V <sub>peak</sub>
V <sub>IOTM</sub>	Highest Allowable Over-Voltage	6,000	8,000	V <sub>peak</sub>
	External Creepage	≥8.0	≥8.0	mm
	External Clearance	≥7.0	≥8.0	mm
DTI	Distance Through Insulation (Insulation Thickness)	≥0.4	≥0.4	mm
T <sub>S</sub>	Safety Limit Values – Maximum Values Allowed in the Event of a Failure, Case Temperature	150	150	°C
I <sub>S,INPUT</sub>	Input Current	200	200	mA
P <sub>S,OUTPUT</sub>	Output Power	600	600	mW
R <sub>IO</sub>	Insulation Resistance at T <sub>S</sub> , V <sub>IO</sub> = 500 V	10 <sup>9</sup>	10 <sup>9</sup>	Ω

## ABSOLUTE MAXIMUM RATINGS (T<sub>A</sub> = 25°C unless otherwise specified.)

Symbol	Parameter	Value	Unit
T <sub>STG</sub>	Storage Temperature	-40 to +125	°C
T <sub>OPR</sub>	Operating Temperature	-40 to +100	°C
T <sub>J</sub>	Junction Temperature	-40 to +125	°C
T <sub>SOL</sub>	Lead Solder Temperature (Refer to Reflow Temperature Profile)	260 for 10 s	°C
I <sub>F(AVG)</sub>	Average Input Current	25	mA
V <sub>R</sub>	Reverse Input Voltage	5.0	V
I <sub>O(PEAK)</sub>	Peak Output Current (Note 1)	4	A
V <sub>DD</sub>	Supply Voltage	-0.5 to 35	V
V <sub>O(PEAK)</sub>	Peak Output Voltage	0 to V <sub>DD</sub>	V
t <sub>R(IN)</sub> , t <sub>F(IN)</sub>	Input Signal Rise and Fall Time	250	ns
PD <sub>I</sub>	Input Power Dissipation (Note 2) (Note 4)	45	mW
PD <sub>O</sub>	Output Power Dissipation (Note 3) (Note 4)	500	mW

Stresses exceeding those listed in the Maximum Ratings table may damage the device. If any of these limits are exceeded, device functionality should not be assumed, damage may occur and reliability may be affected.

- Maximum pulse width = 10 μs
- No derating required across operating temperature range.
- Derate linearly from 25°C at a rate of 5.2 mW/°C.
- Functional operation under these conditions is not implied. Permanent damage may occur if the device is subjected to conditions outside these ratings.

# FOD8343, FOD8343T

## RECOMMENDED OPERATING CONDITIONS

Symbol	Parameter	Min	Max	Unit
$T_A$	Ambient Operating Temperature	-40	+100	°C
$V_{DD} - V_{SS}$	Supply Voltage	10	30	V
$I_{F(ON)}$	Input Current (ON)	10	16	mA
$V_{F(OFF)}$	Input Voltage (OFF)	-3.0	0.8	V

Functional operation above the stresses listed in the Recommended Operating Ranges is not implied. Extended exposure to stresses beyond the Recommended Operating Ranges limits may affect device reliability.

## ISOLATION CHARACTERISTICS (Apply over all recommended conditions, typical value is measured at $T_A = 25^\circ\text{C}$ .)

Symbol	Parameter	Conditions	Min	Typ	Max	Unit
$V_{ISO}$	Input-Output Isolation Voltage	$T_A = 25^\circ\text{C}$ , R.H. < 50%, $t = 1.0$ minute, $I_{I-O} \leq 20 \mu\text{A}$ (Note 5) (Note 6)	5000	-	-	VAC <sub>RMS</sub>
$R_{ISO}$	Isolation Resistance	$V_{I-O} = 500$ V (Note 5)	-	$10^{11}$	-	$\Omega$
$C_{ISO}$	Isolation Capacitance	$V_{I-O} = 0$ V, Frequency = 1.0 MHz (Note 5)	-	1	-	pF

- Device is considered a two terminal device: pins 1, 2 and 3 are shorted together and pins 4, 5 and 6 are shorted together.
- 5,000 VAC<sub>RMS</sub> for 1 minute duration is equivalent to 6,000 VAC<sub>RMS</sub> for 1 second duration.

## ELECTRICAL CHARACTERISTICS (Apply over all recommended conditions, typical value is measured at $V_{DD} = 30$ V, $V_{SS} = \text{Ground}$ , $T_A = 25^\circ\text{C}$ unless otherwise specified.)

Symbol	Parameter	Conditions	Min	Typ	Max	Unit
$V_F$	Input Forward Voltage	$I_F = 10$ mA	1.1	1.5	1.8	V
$\Delta(V_F/T_A)$	Temperature Coefficient of Forward Voltage		-	-1.8	-	mV/°C
$BV_R$	Input Reverse Breakdown Voltage	$I_R = 10 \mu\text{A}$	5.0	-	-	V
$C_{IN}$	Input Capacitance	$f = 1$ MHz, $V_F = 0$ V	-	20	-	pF
$I_{OH}$	High Level Output Current (Note 1)	$V_{OH} = V_{DD} - 3$ V	1.0	-	-	A
		$V_{OH} = V_{DD} - 10$ V	3.0	-	-	A
$I_{OL}$	Low Level Output Current (Note 1)	$V_{OL} = V_{SS} + 3$ V	1.0	-	-	A
		$V_{OL} = V_{SS} + 10$ V	3.0	-	-	A
$V_{OH}$	High Level Output Voltage (Note 7) (Note 8)	$I_F = 10$ mA, $I_O = -100$ mA	$V_{DD} - 0.5$	$V_{DD} - 0.1$	-	V
$V_{OL}$	Low Level Output Voltage (Note 7) (Note 8)	$I_F = 0$ mA, $I_O = 100$ mA	-	$V_{SS} + 0.1$	$V_{SS} + 0.5$	V
$I_{DDH}$	High Level Supply Current	$V_O = \text{Open}$ , $I_F = 10$ to 16 mA	-	2.9	4.0	mA
$I_{DDL}$	Low Level Supply Current	$V_O = \text{Open}$ , $V_F = -3.0$ to 0.8 V	-	2.8	4.0	mA
$I_{FLH}$	Threshold Input Current Low to High	$I_O = 0$ mA, $V_O > 5$ V	-	2.0	7.5	mA
$V_{FHL}$	Threshold Input Voltage High to Low	$I_O = 0$ mA, $V_O < 5$ V	0.8	-	-	V
$V_{UVLO+}$	UnderVoltage Lockout Threshold	$I_F = 10$ mA, $V_O > 5$ V	7.0	8.3	9.5	V
$V_{UVLO-}$		$I_F = 10$ mA, $V_O < 5$ V	6.5	7.7	9.0	V
$UVLO_{HYS}$	UnderVoltage Lockout Threshold Hysteresis		-	0.6	-	V

Product parametric performance is indicated in the Electrical Characteristics for the listed test conditions, unless otherwise noted. Product performance may not be indicated by the Electrical Characteristics if operated under different conditions.

- In this test,  $V_{OH}$  is measured with a dc load current of 100 mA. When driving capacitive load  $V_{OH}$  will approach  $V_{DD}$  as  $I_{OH}$  approaches 0 A.
- Maximum pulse width = 1 ms, maximum duty cycle = 20%.

## FOD8343, FOD8343T

**SWITCHING CHARACTERISTICS** (Apply over all recommended conditions, typical value is measured at  $V_{DD} = 30\text{ V}$ ,  $V_{SS} = \text{Ground}$ ,  $T_A = 25^\circ\text{C}$  unless otherwise specified.)

Symbol	Parameter	Conditions	Min	Typ	Max	Unit
$t_{PHL}$	Propagation Delay Time to Logic Low Output (Note 9)	$I_F = 10\text{ mA}$ , $R_G = 10\ \Omega$ , $C_G = 10\text{ nF}$ , $f = 250\text{ kHz}$ , Duty Cycle = 50%	50	145	210	ns
$t_{PLH}$	Propagation Delay Time to Logic High Output (Note 10)		50	120	210	ns
PWD	Pulse Width Distortion (Note 11) $ t_{PHL} - t_{PLH} $		–	35	65	ns
PDD (Skew)	Propagation Delay Difference Between Any Two Parts (Note 12)		–90	–	90	
$t_R$	Output Rise Time (10% to 90%)		–	38	–	ns
$t_F$	Output Fall Time (90% to 10%)		–	24	–	ns
$t_{ULVO\ ON}$	ULVO Turn On Delay		$I_F = 10\text{ mA}$ , $V_O > 5\text{ V}$	–	2.0	–
$t_{ULVO\ OFF}$	ULVO Turn Off Delay	$I_F = 10\text{ mA}$ , $V_O < 5\text{ V}$	–	0.3	–	$\mu\text{s}$
$ CM_H $	Common Mode Transient Immunity at Output High	$V_{DD} = 30\text{ V}$ , $I_F = 10\text{ mA to }16\text{ mA}$ , $V_{CM} = 2000\text{ V}$ , $T_A = 25^\circ\text{C}$ (Note 13)	50	–	–	$\text{kV}/\mu\text{s}$
$ CM_L $	Common Mode Transient Immunity at Output Low	$V_{DD} = 30\text{ V}$ , $V_F = 0\text{ V}$ , $V_{CM} = 2000\text{ V}$ , $T_A = 25^\circ\text{C}$ (Note 14)	50	–	–	$\text{kV}/\mu\text{s}$

9. Propagation delay  $t_{PHL}$  is measured from the 50% level on the falling edge of the input pulse to the 50% level of the falling edge of the  $V_O$  signal.
10. Propagation delay  $t_{PLH}$  is measured from the 50% level on the rising edge of the input pulse to the 50% level of the rising edge of the  $V_O$  signal.
11. PWD is defined as  $|t_{PHL} - t_{PLH}|$  for any given device.
12. The difference between  $t_{PHL}$  and  $t_{PLH}$  between any two FOD8343 parts under the same operating conditions, with equal loads.
13. Common mode transient immunity at output high is the maximum tolerable negative  $dV_{CM}/dt$  on the trailing edge of the common mode impulse signal,  $V_{CM}$ , to ensure that the output remains high (i.e.,  $V_O > 15.0\text{ V}$ ).
14. Common mode transient immunity at output low is the maximum tolerable positive  $dV_{CM}/dt$  on the leading edge of the common pulse signal,  $V_{CM}$ , to ensure that the output remains low (i.e.,  $V_O < 1.0\text{ V}$ ).

TYPICAL PERFORMANCE CHARACTERISTICS

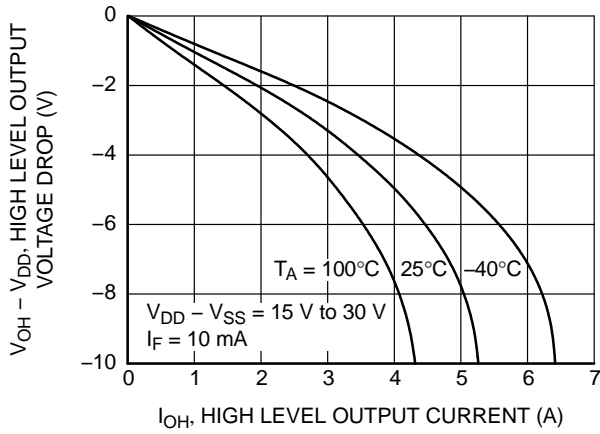


Figure 2. High Level Output Voltage Drop vs. High Level Output Current

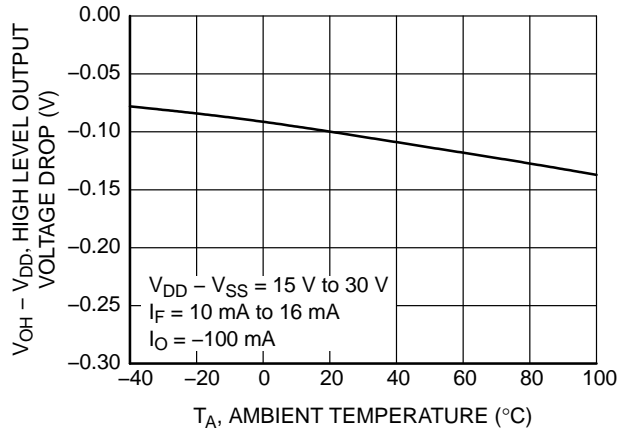


Figure 3. High Level Output Voltage Drop vs. Ambient Temperature

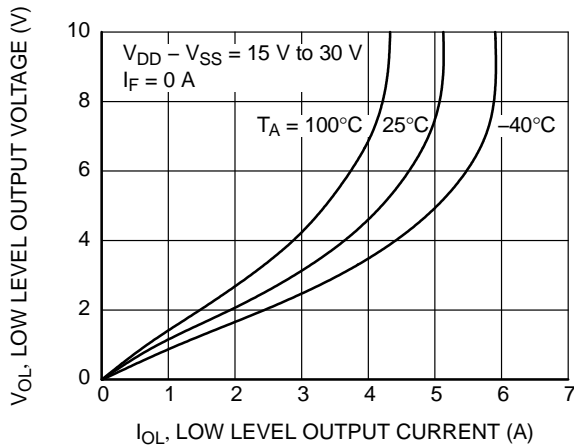


Figure 4. Low Level Output Voltage Drop vs. Low Level Output Current

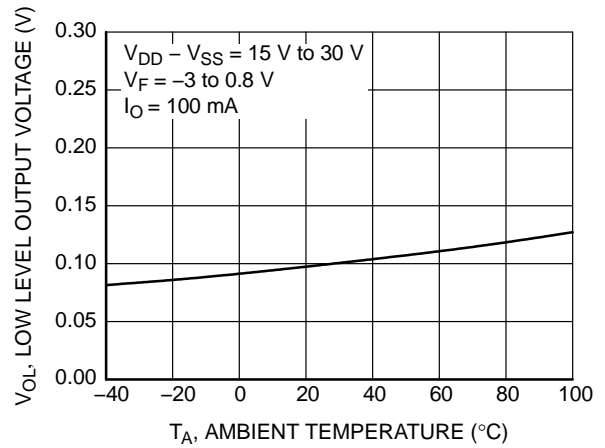


Figure 5. Low Level Output Voltage Drop vs. Ambient Temperature

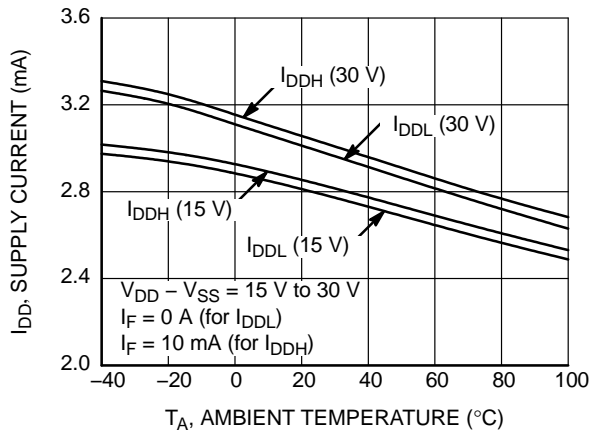


Figure 6. Supply Current vs. Ambient Temperature

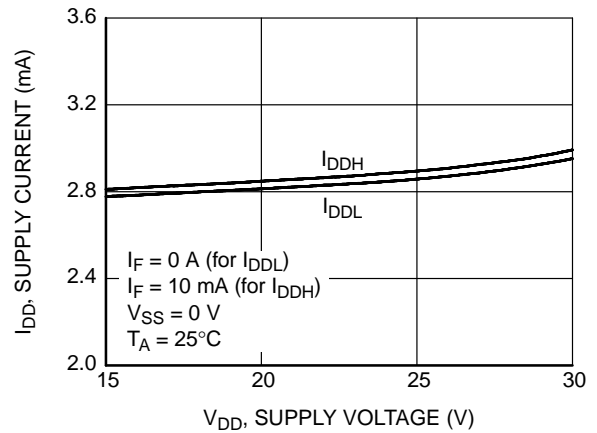


Figure 7. Supply Current vs. Supply Voltage

TYPICAL PERFORMANCE CHARACTERISTICS (Continued)

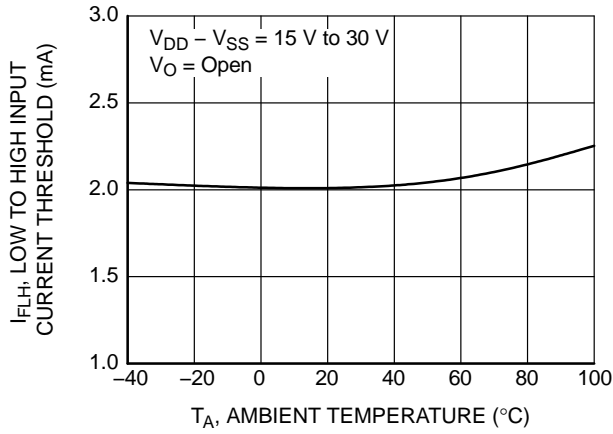


Figure 8. Low to High Input Current Threshold vs. Ambient Temperature

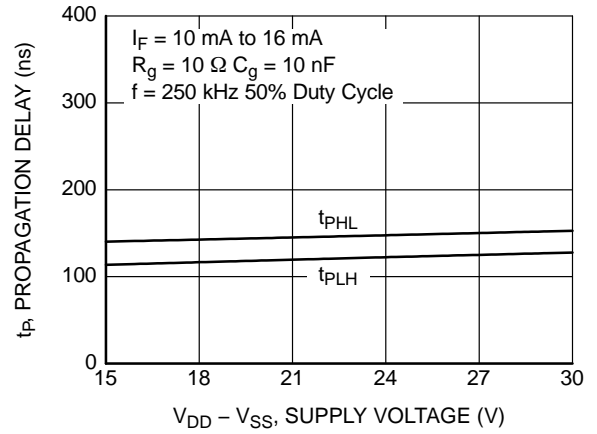


Figure 9. Propagation Delay vs. Supply Voltage

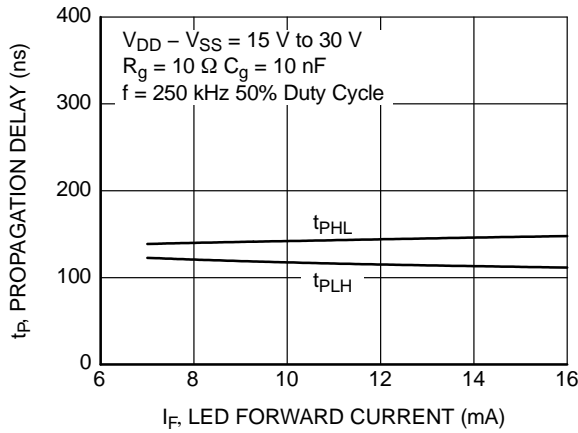


Figure 10. Propagation Delay vs. LED Forward Current

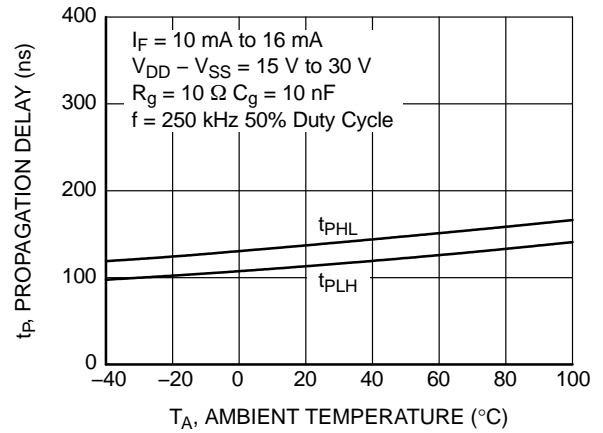


Figure 11. Propagation Delay vs. Ambient Temperature

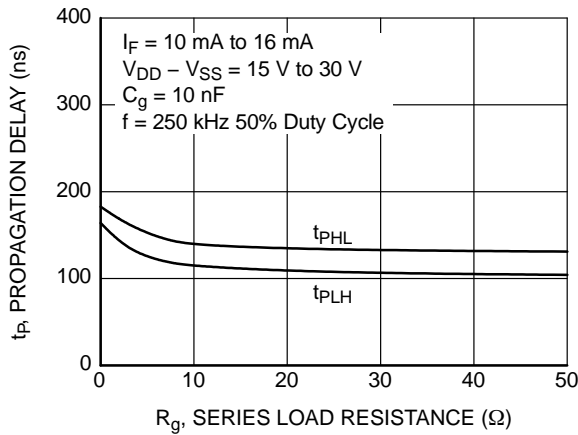


Figure 12. Propagation Delay vs. Series Load Resistance

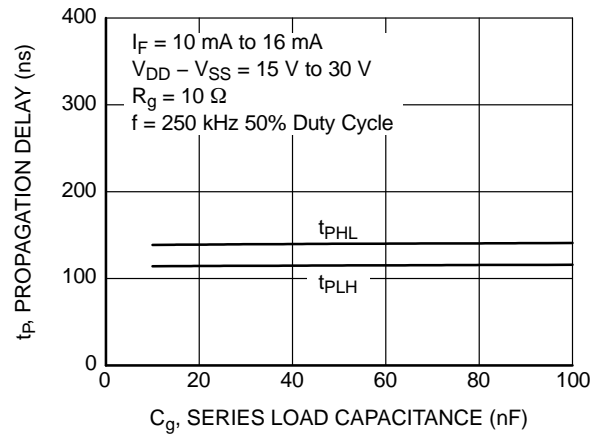


Figure 13. Propagation Delay vs. Series Load Capacitance

TYPICAL PERFORMANCE CHARACTERISTICS (Continued)

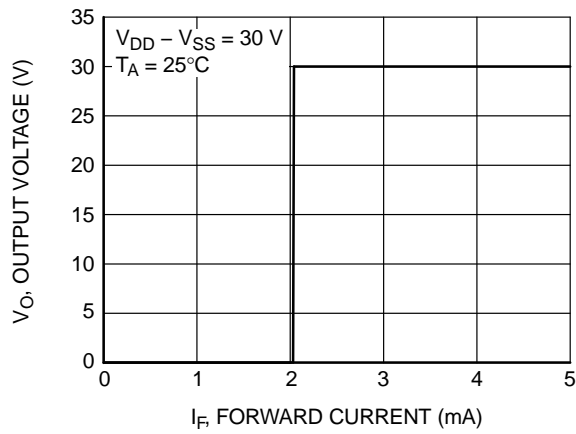


Figure 14. Transfer Characteristics

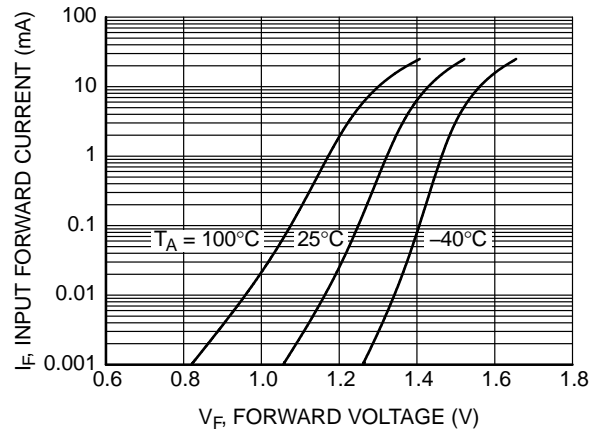


Figure 15. Input Forward Current vs. Forward Voltage

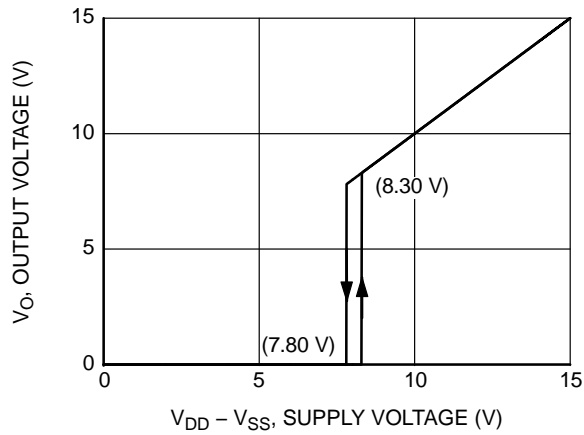


Figure 16. Under Voltage Lockout



# FOD8343, FOD8343T

## TEST CIRCUITS

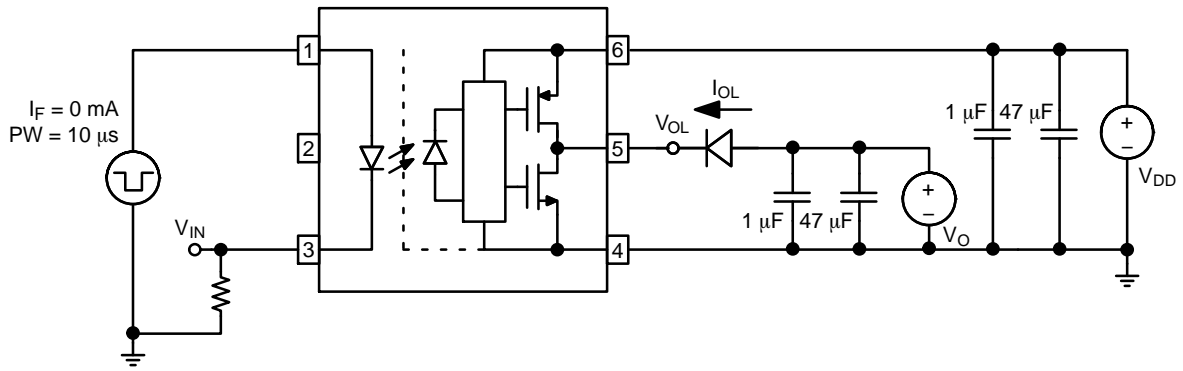


Figure 17.  $I_{OL}$  Test Circuit

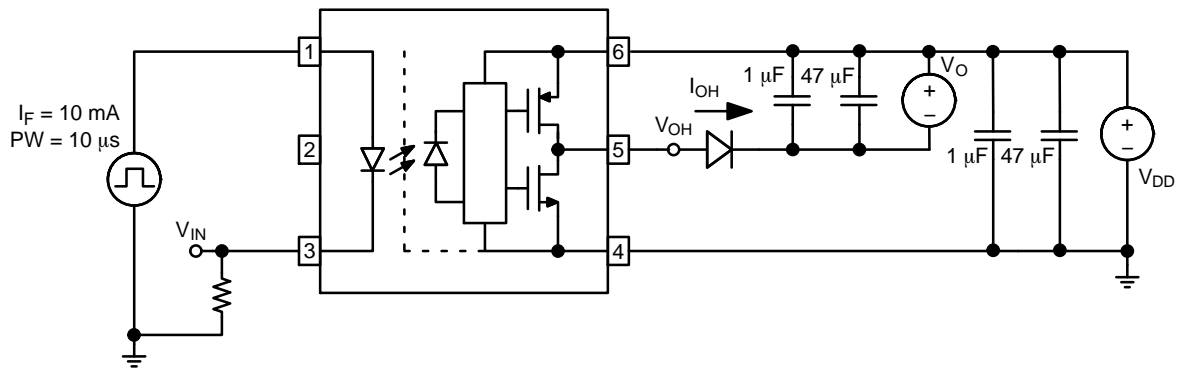


Figure 18.  $I_{OH}$  Test Circuit

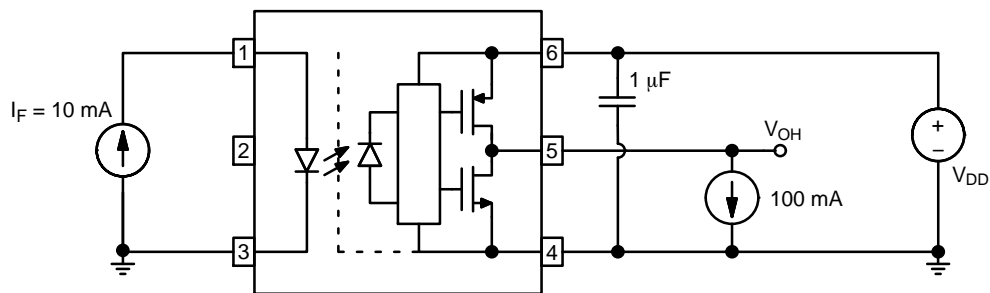


Figure 19.  $V_{OH}$  Test Circuit

# FOD8343, FOD8343T

## TEST CIRCUITS (Continued)

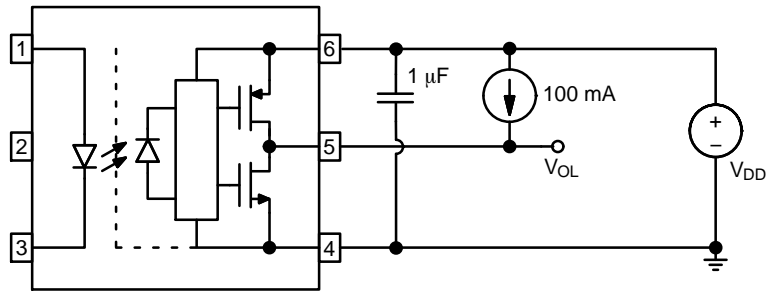


Figure 20.  $V_{OL}$  Test Circuit

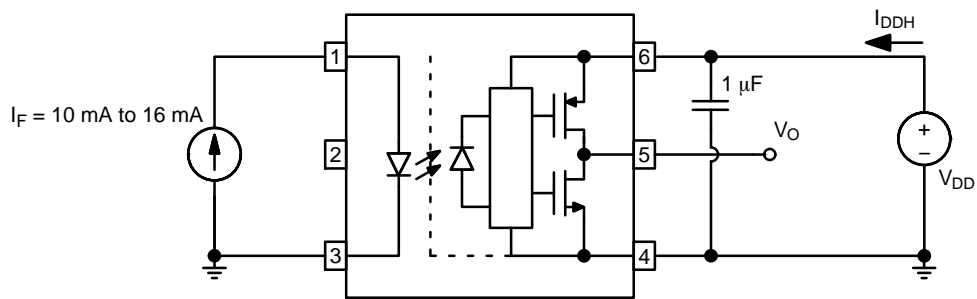


Figure 21.  $I_{DDH}$  Test Circuit

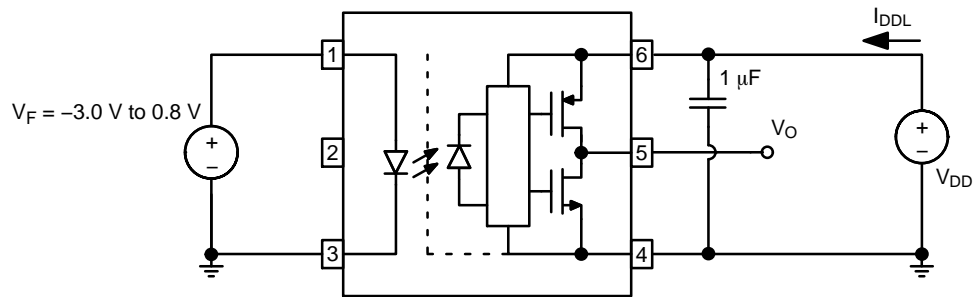


Figure 22.  $I_{DDL}$  Test Circuit

# FOD8343, FOD8343T

## TEST CIRCUITS (Continued)

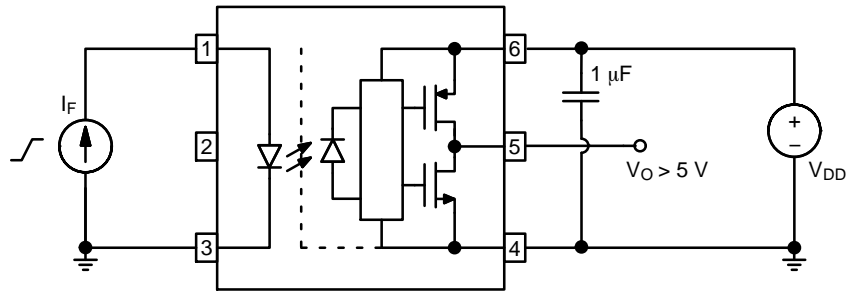


Figure 23.  $I_{FLH}$  Test Circuit

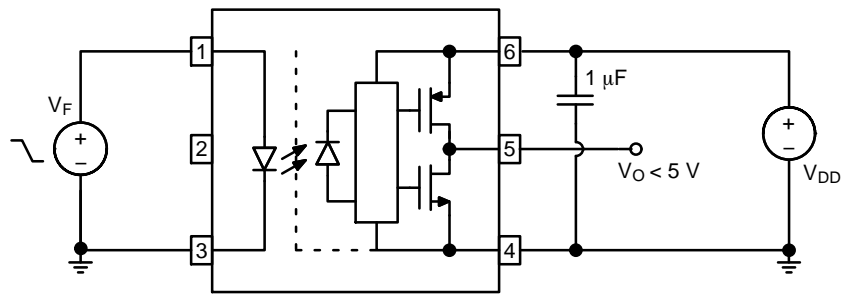


Figure 24.  $V_{FHL}$  Test Circuit

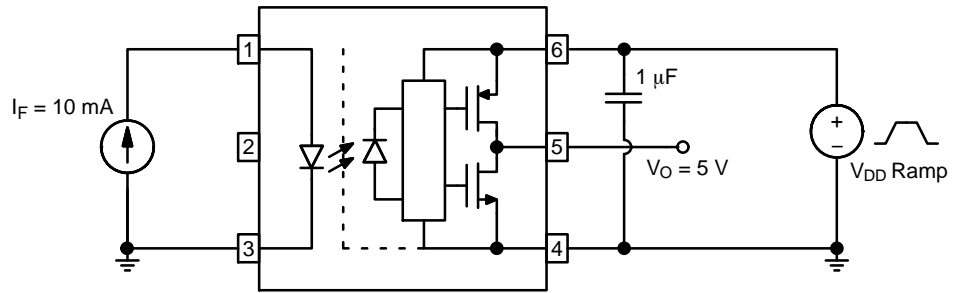
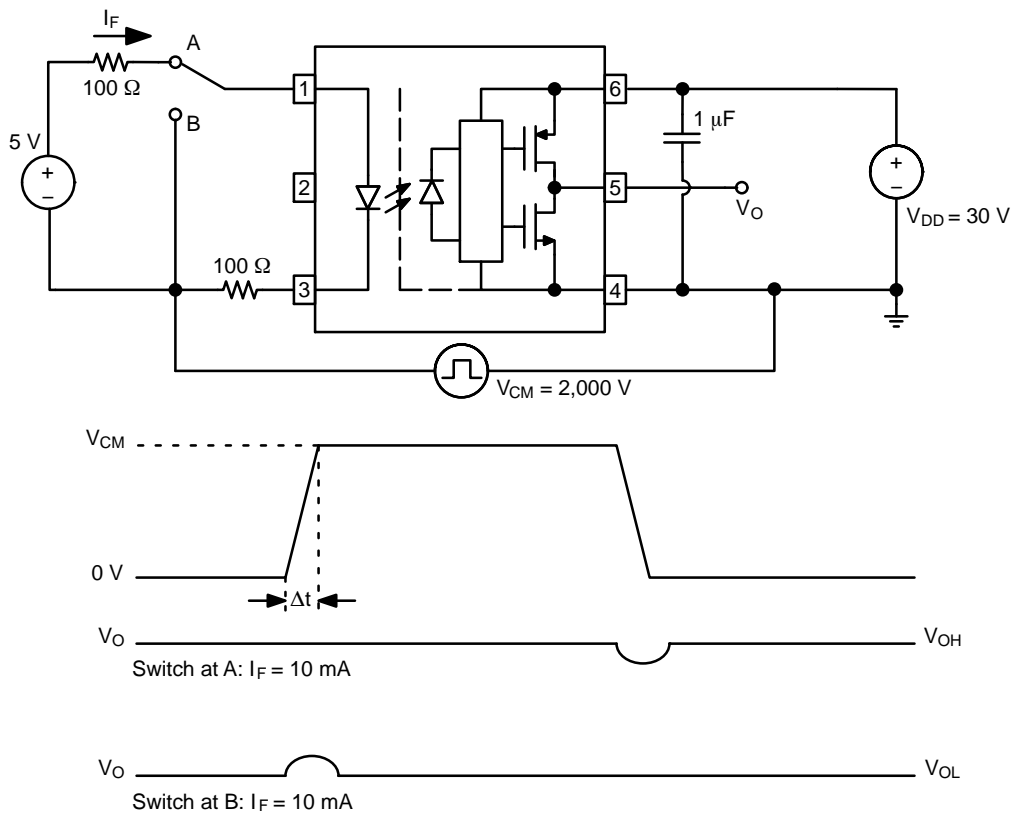
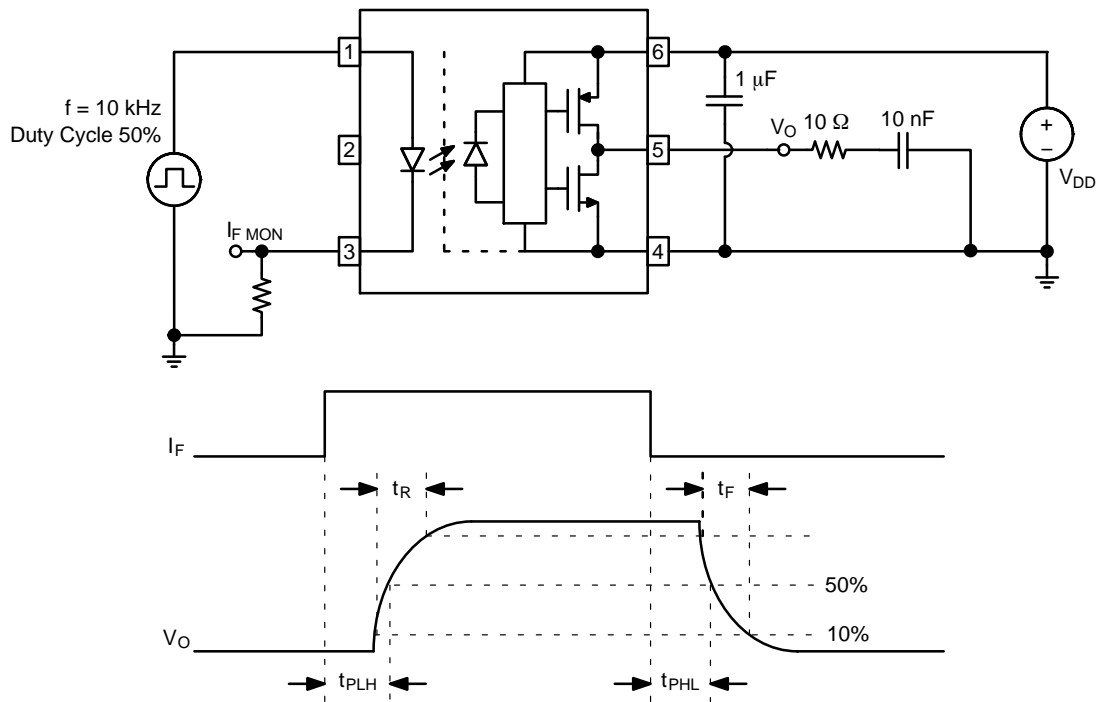


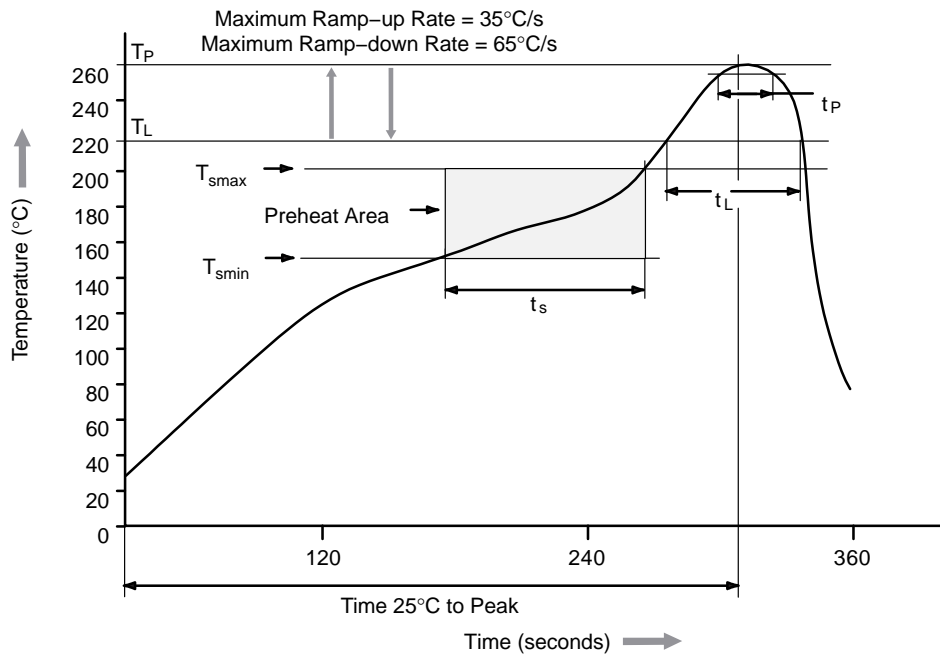
Figure 25.  $I_{DDH}$  Test Circuit

# FOD8343, FOD8343T

## TEST CIRCUITS (Continued)



REFLOW PROFILE



Profile Feature	Pb-Free Assembly Profile
Temperature Minimum ( $T_{smin}$ )	150°C
Temperature Maximum ( $T_{smax}$ )	200°C
Time ( $t_s$ ) from ( $T_{smin}$ to $T_{smax}$ )	60 s to 120 s
Ramp-up Rate ( $t_L$ to $t_P$ )	3°C/second maximum
Liquidous Temperature ( $T_L$ )	217°C
Time ( $t_L$ ) Maintained Above ( $T_L$ )	60 s to 150 s
Peak Body Package Temperature	260°C +0°C / -5°C
Time ( $t_P$ ) within 5°C of 260°C	30 s
Ramp-Down Rate ( $T_P$ to $T_L$ )	6°C/s maximum
Time 25°C to Peak Temperature	8 minutes maximum

Figure 28. Reflow Profile

## FOD8343, FOD8343T

### ORDERING INFORMATION

Device Order Number	Package Type	Shipping†
FOD8343	Stretched Body SOP 6-Pin	100 Units / Tube
FOD8343R2	Stretched Body SOP 6-Pin	1,000 / Tape & Reel
FOD8343V	Stretched Body SOP 6-Pin, DIN EN/IEC60747-5-5 Option	100 Units / Tube
FOD8343R2V	Stretched Body SOP 6-Pin, DIN EN/IEC60747-5-5 Option	1,000 / Tape & Reel
FOD8343T	Stretched Body SOP 6-Pin, Wide Lead	100 Units / Tube
FOD8343TR2	Stretched Body SOP 6-Pin, Wide Lead	1,000 / Tape & Reel
FOD8343TV	Stretched Body SOP 6-Pin, Wide Lead, DIN EN/IEC60747-5-5 Option	100 Units / Tube
FOD8343TR2V	Stretched Body SOP 6-Pin, Wide Lead, DIN EN/IEC60747-5-5 Option	1,000 / Tape & Reel

†For information on tape and reel specifications, including part orientation and tape sizes, please refer to our Tape and Reel Packaging Specifications Brochure, BRD8011/D.

NOTE: All packages are lead free per JEDEC: J-STD-020B standard.

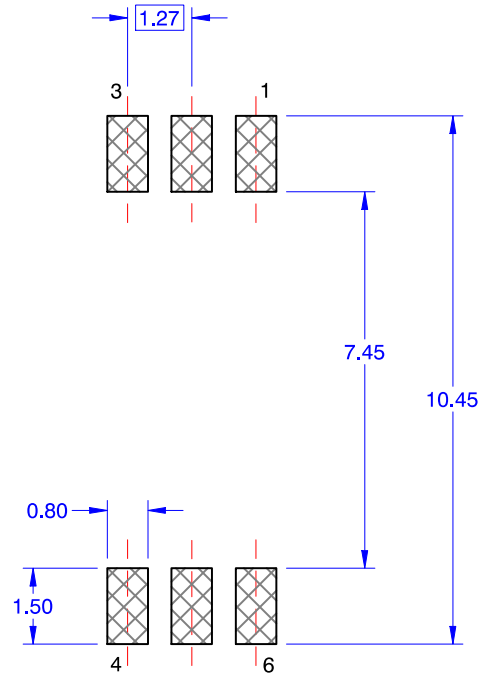
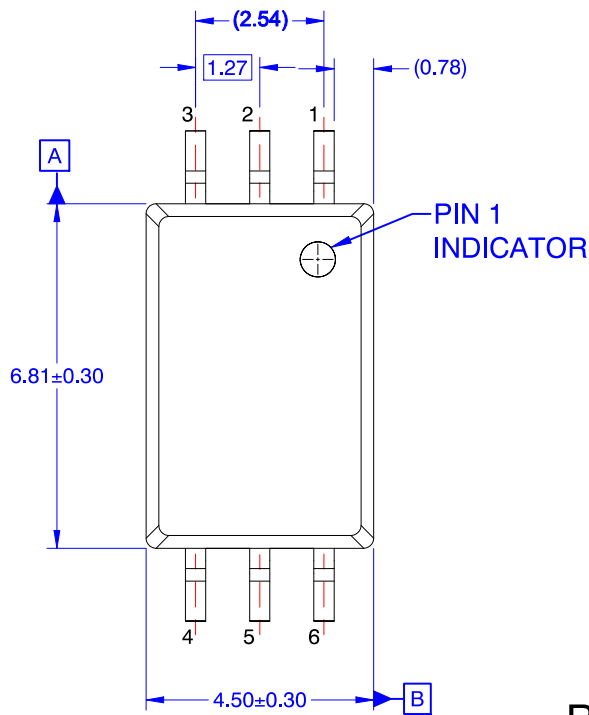
**MECHANICAL CASE OUTLINE**  
**PACKAGE DIMENSIONS**

ON Semiconductor®

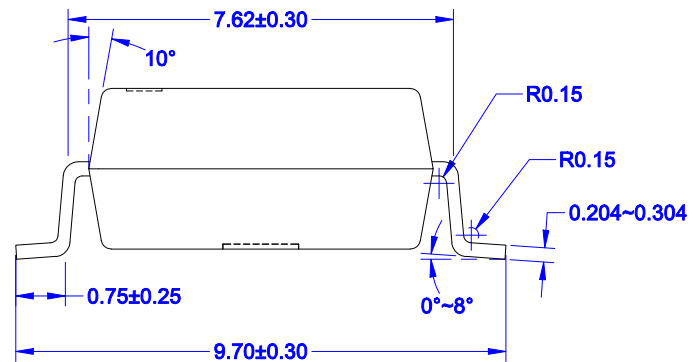
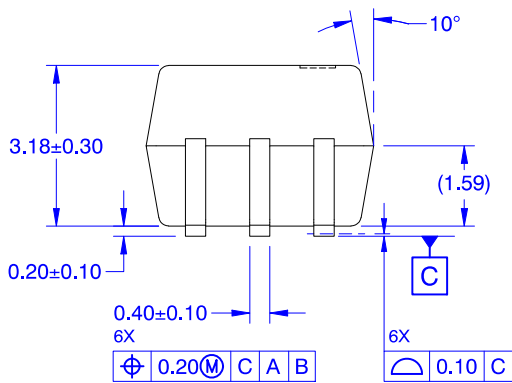


**SOIC6**  
**CASE 751EL**  
**ISSUE O**

DATE 30 SEP 2016



**RECOMMENDED LAND PATTERN**



**NOTES: UNLESS OTHERWISE SPECIFIED**

- A) NO STANDARD APPLIES TO THIS PACKAGE
- B) ALL DIMENSIONS ARE IN MILLIMETERS.
- C) DIMENSIONS DO NOT INCLUDE BURRS OR MOLD FLASH, AND TIE BAR EXTRUSION.
- D) DIMENSIONING AND TOLERANCING PER ASME Y14.5M-2009.

<b>DOCUMENT NUMBER:</b>	<b>98AON13745G</b>	Electronic versions are uncontrolled except when accessed directly from the Document Repository. Printed versions are uncontrolled except when stamped "CONTROLLED COPY" in red.
<b>DESCRIPTION:</b>	<b>SOIC6</b>	<b>PAGE 1 OF 1</b>

ON Semiconductor and are trademarks of Semiconductor Components Industries, LLC dba ON Semiconductor or its subsidiaries in the United States and/or other countries. ON Semiconductor reserves the right to make changes without further notice to any products herein. ON Semiconductor makes no warranty, representation or guarantee regarding the suitability of its products for any particular purpose, nor does ON Semiconductor assume any liability arising out of the application or use of any product or circuit, and specifically disclaims any and all liability, including without limitation special, consequential or incidental damages. ON Semiconductor does not convey any license under its patent rights nor the rights of others.

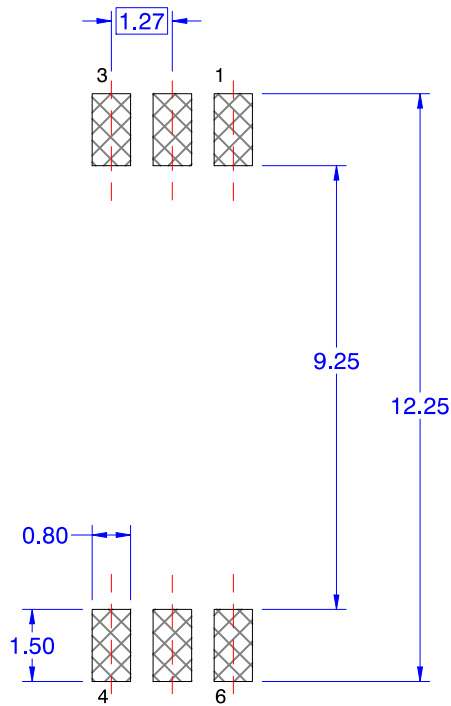
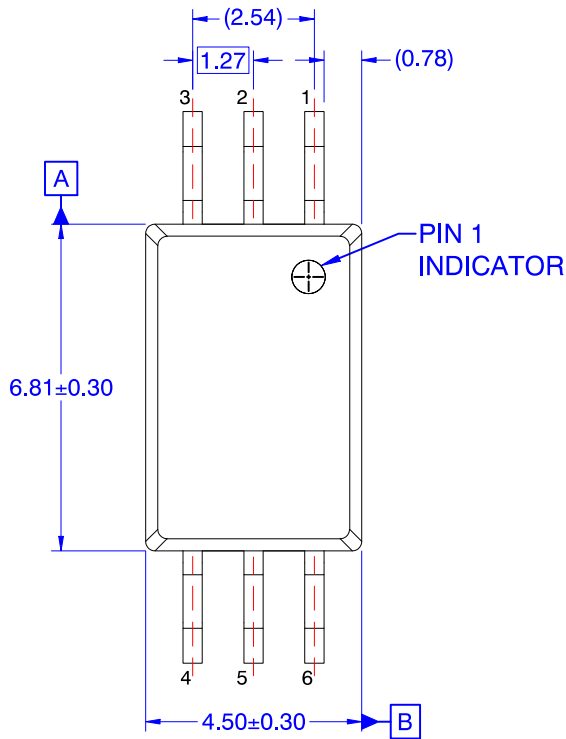
**MECHANICAL CASE OUTLINE**  
**PACKAGE DIMENSIONS**

ON Semiconductor®

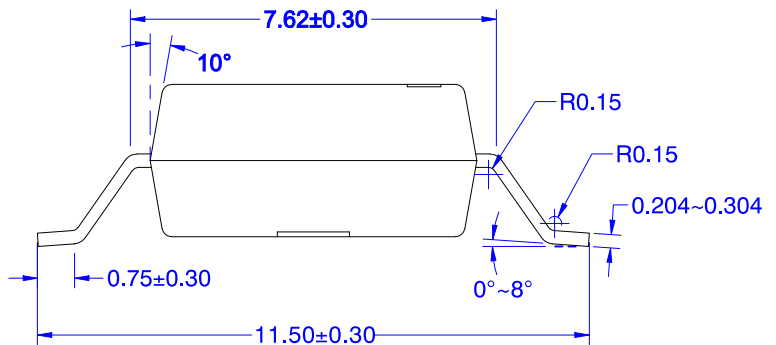
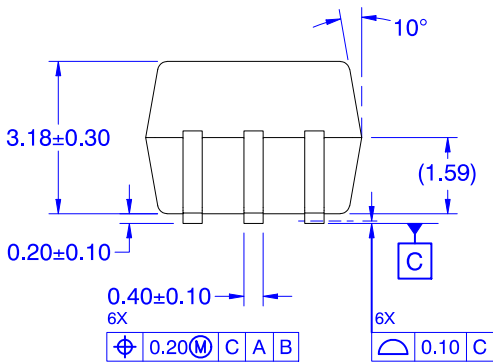


**SOIC6 W**  
**CASE 751EM**  
**ISSUE O**

DATE 30 SEP 2016



**RECOMMENDED LAND PATTERN**



- NOTES: UNLESS OTHERWISE SPECIFIED**
- A) NO STANDARD APPLIES TO THIS PACKAGE
  - B) ALL DIMENSIONS ARE IN MILLIMETERS.
  - C) DIMENSIONS DO NOT INCLUDE BURRS OR MOLD FLASH, AND TIE BAR EXTRUSION.
  - D) DIMENSIONING AND TOLERANCING PER ASME Y14.5M-2009.

<b>DOCUMENT NUMBER:</b>	<b>98AON13749G</b>	Electronic versions are uncontrolled except when accessed directly from the Document Repository. Printed versions are uncontrolled except when stamped "CONTROLLED COPY" in red.
<b>DESCRIPTION:</b>	<b>SOIC6 W</b>	<b>PAGE 1 OF 1</b>

ON Semiconductor and are trademarks of Semiconductor Components Industries, LLC dba ON Semiconductor or its subsidiaries in the United States and/or other countries. ON Semiconductor reserves the right to make changes without further notice to any products herein. ON Semiconductor makes no warranty, representation or guarantee regarding the suitability of its products for any particular purpose, nor does ON Semiconductor assume any liability arising out of the application or use of any product or circuit, and specifically disclaims any and all liability, including without limitation special, consequential or incidental damages. ON Semiconductor does not convey any license under its patent rights nor the rights of others.



**onsemi**, **Onsemi**, and other names, marks, and brands are registered and/or common law trademarks of Semiconductor Components Industries, LLC dba "**onsemi**" or its affiliates and/or subsidiaries in the United States and/or other countries. **onsemi** owns the rights to a number of patents, trademarks, copyrights, trade secrets, and other intellectual property. A listing of **onsemi**'s product/patent coverage may be accessed at [www.onsemi.com/site/pdf/Patent-Marking.pdf](http://www.onsemi.com/site/pdf/Patent-Marking.pdf). **onsemi** reserves the right to make changes at any time to any products or information herein, without notice. The information herein is provided "as-is" and **onsemi** makes no warranty, representation or guarantee regarding the accuracy of the information, product features, availability, functionality, or suitability of its products for any particular purpose, nor does **onsemi** assume any liability arising out of the application or use of any product or circuit, and specifically disclaims any and all liability, including without limitation special, consequential or incidental damages. Buyer is responsible for its products and applications using **onsemi** products, including compliance with all laws, regulations and safety requirements or standards, regardless of any support or applications information provided by **onsemi**. "Typical" parameters which may be provided in **onsemi** data sheets and/or specifications can and do vary in different applications and actual performance may vary over time. All operating parameters, including "Typicals" must be validated for each customer application by customer's technical experts. **onsemi** does not convey any license under any of its intellectual property rights nor the rights of others. **onsemi** products are not designed, intended, or authorized for use as a critical component in life support systems or any FDA Class 3 medical devices or medical devices with a same or similar classification in a foreign jurisdiction or any devices intended for implantation in the human body. Should Buyer purchase or use **onsemi** products for any such unintended or unauthorized application, Buyer shall indemnify and hold **onsemi** and its officers, employees, subsidiaries, affiliates, and distributors harmless against all claims, costs, damages, and expenses, and reasonable attorney fees arising out of, directly or indirectly, any claim of personal injury or death associated with such unintended or unauthorized use, even if such claim alleges that **onsemi** was negligent regarding the design or manufacture of the part. **onsemi** is an Equal Opportunity/Affirmative Action Employer. This literature is subject to all applicable copyright laws and is not for resale in any manner.

## PUBLICATION ORDERING INFORMATION

### LITERATURE FULFILLMENT:

Email Requests to: [orderlit@onsemi.com](mailto:orderlit@onsemi.com)

**onsemi Website:** [www.onsemi.com](http://www.onsemi.com)

### TECHNICAL SUPPORT

**North American Technical Support:**

Voice Mail: 1 800-282-9855 Toll Free USA/Canada

Phone: 011 421 33 790 2910

**Europe, Middle East and Africa Technical Support:**

Phone: 00421 33 790 2910

For additional information, please contact your local Sales Representative