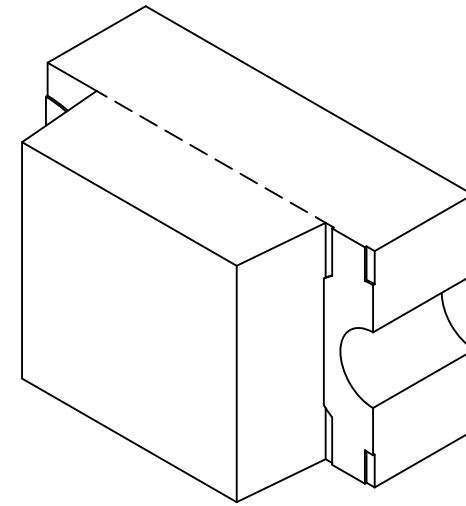
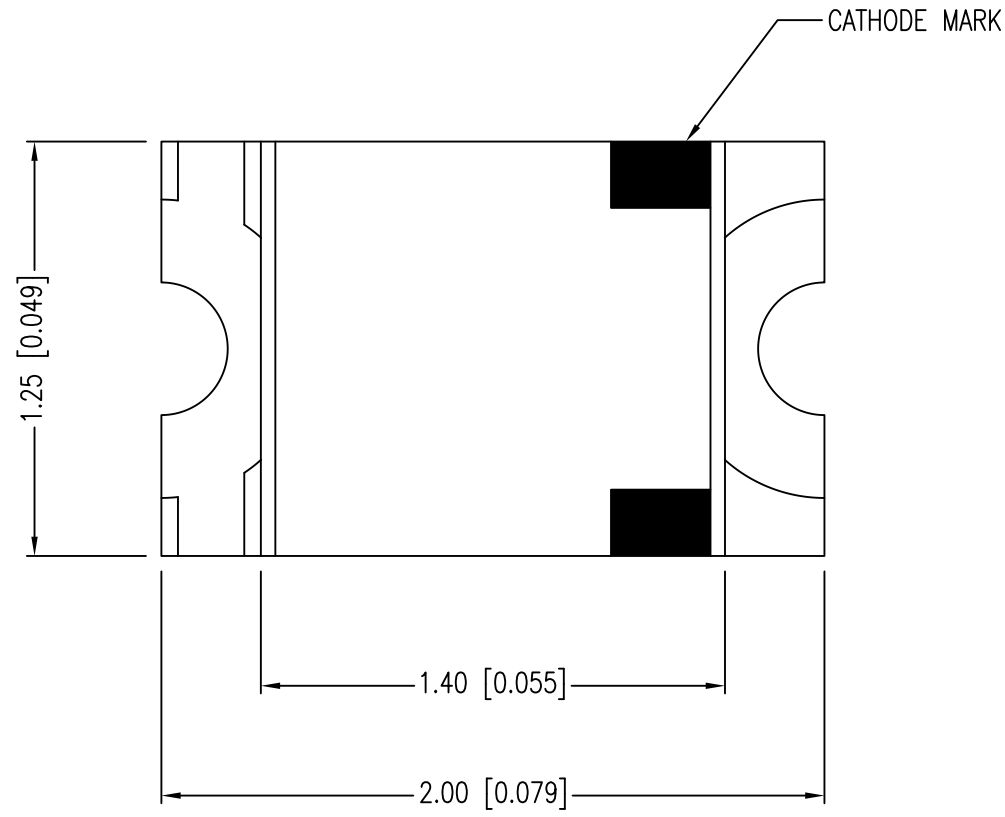
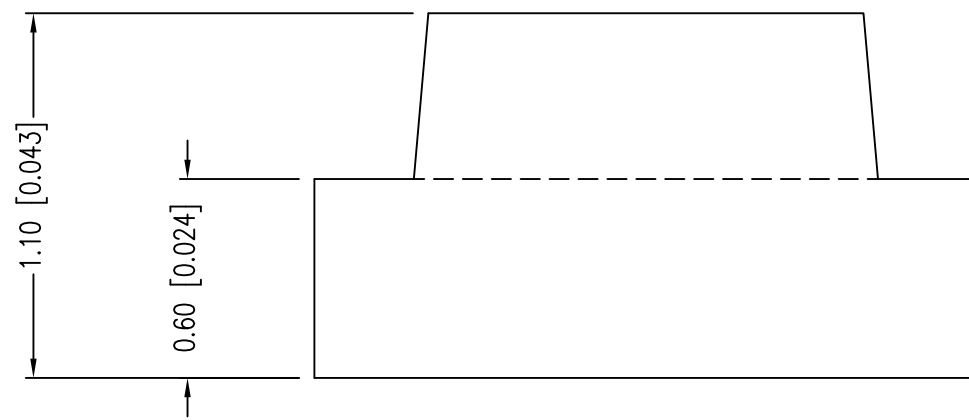


PART NUMBER	SML-LX0805DRC-TR	REV.	F
DATE	E.C.N. NUMBER AND REVISION COMMENTS	REV.	
05.09.02	E.C.N. #10862.	A	
03.14.03	E.C.N. #10967.	B	
01.17.05	E.C.N. #11148.	C	
03.06.09	E.C.N. #11508.	D	
05.07.12	E.C.N. #10BRDR & REDRAWN.	E	
11.06.18	ECN-Lumex201800168	F	



ELECTRO-OPTICAL CHARACTERISTICS $T_a=25^\circ\text{C}$ $I_f=20\text{mA}$					
PARAMETER	MIN	TYP	MAX	UNITS	TEST COND
PEAK WAVELENGTH		650		nm	
FORWARD VOLTAGE		2.0	2.4	Vf	
REVERSE VOLTAGE	5.0			Vr	$I_r=100\mu\text{A}$
AXIAL INTENSITY		25		mcd	$I_f=20\text{mA}$
VIEWING ANGLE		140		2x theta 1/2	
EMITTED COLOR:	RED				
LENS FINISH:	WATER CLEAR				

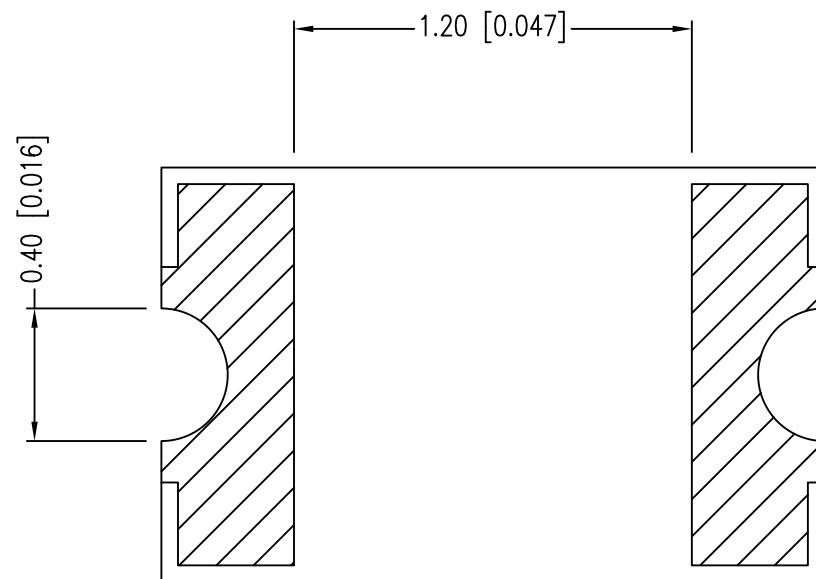
ANODE CATHODE



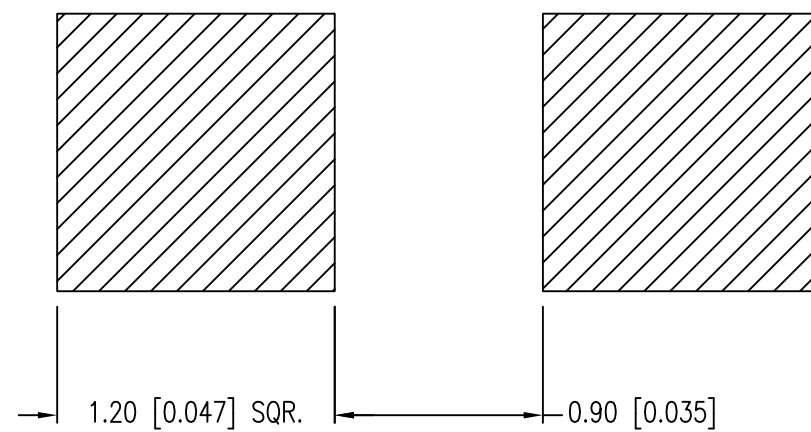
LIMITS OF SAFE OPERATION AT 25°C		
PARAMETER	MAX	UNITS
PEAK FORWARD CURRENT*	160	mA
STEADY CURRENT	25	mA
POWER DISSIPATION	60	mW
DERATE FROM 25°C	-1.2	mW/°C
OPERATING TEMP.	-40 TO +85	°C
STORAGE TEMP.	-40 TO +90	°C

* $t < 10\mu\text{s}$

CAUTION: MOISTURE SENSITIVE DEVICE
PER JEDEC LEVEL 3 STANDARDS

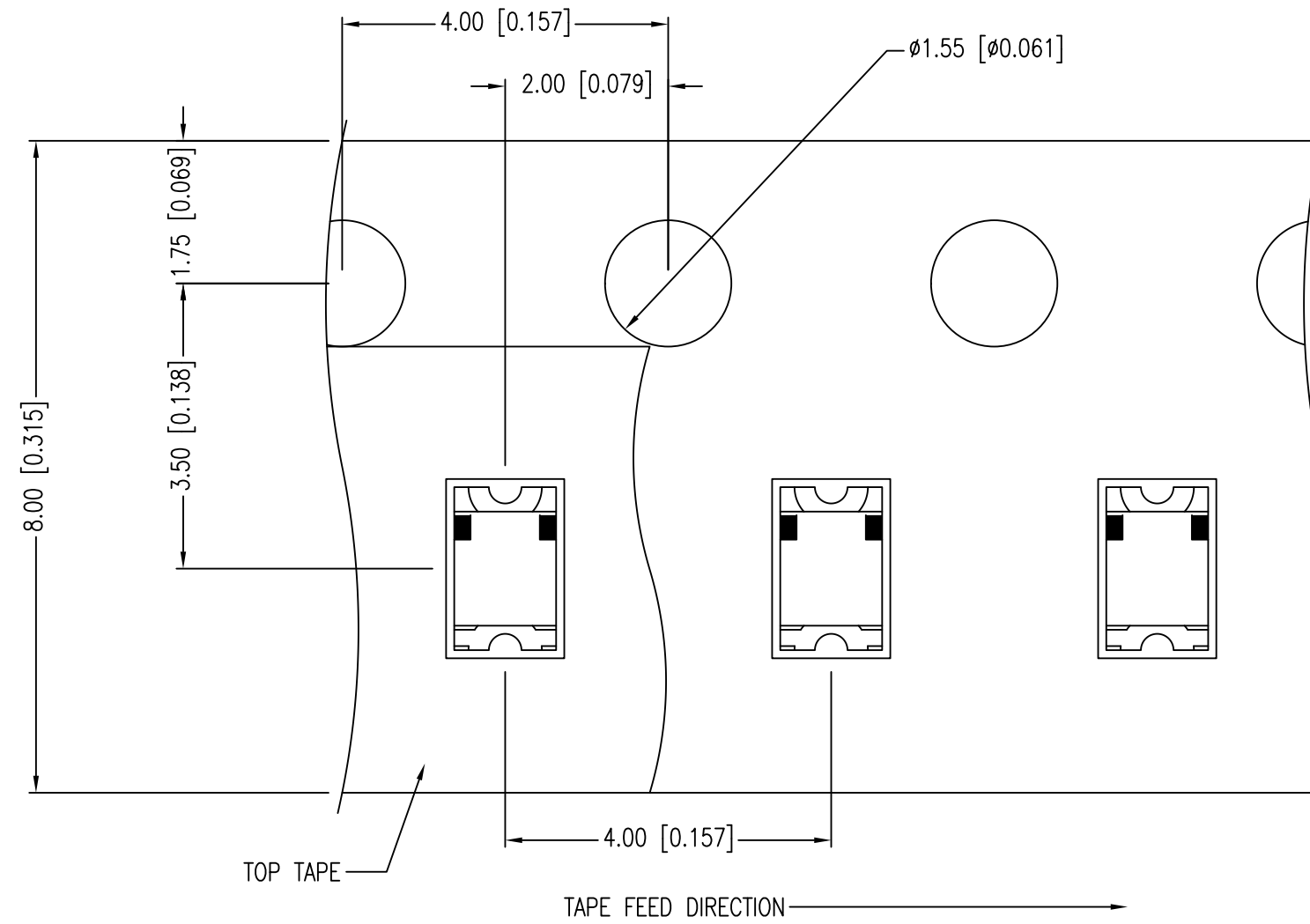
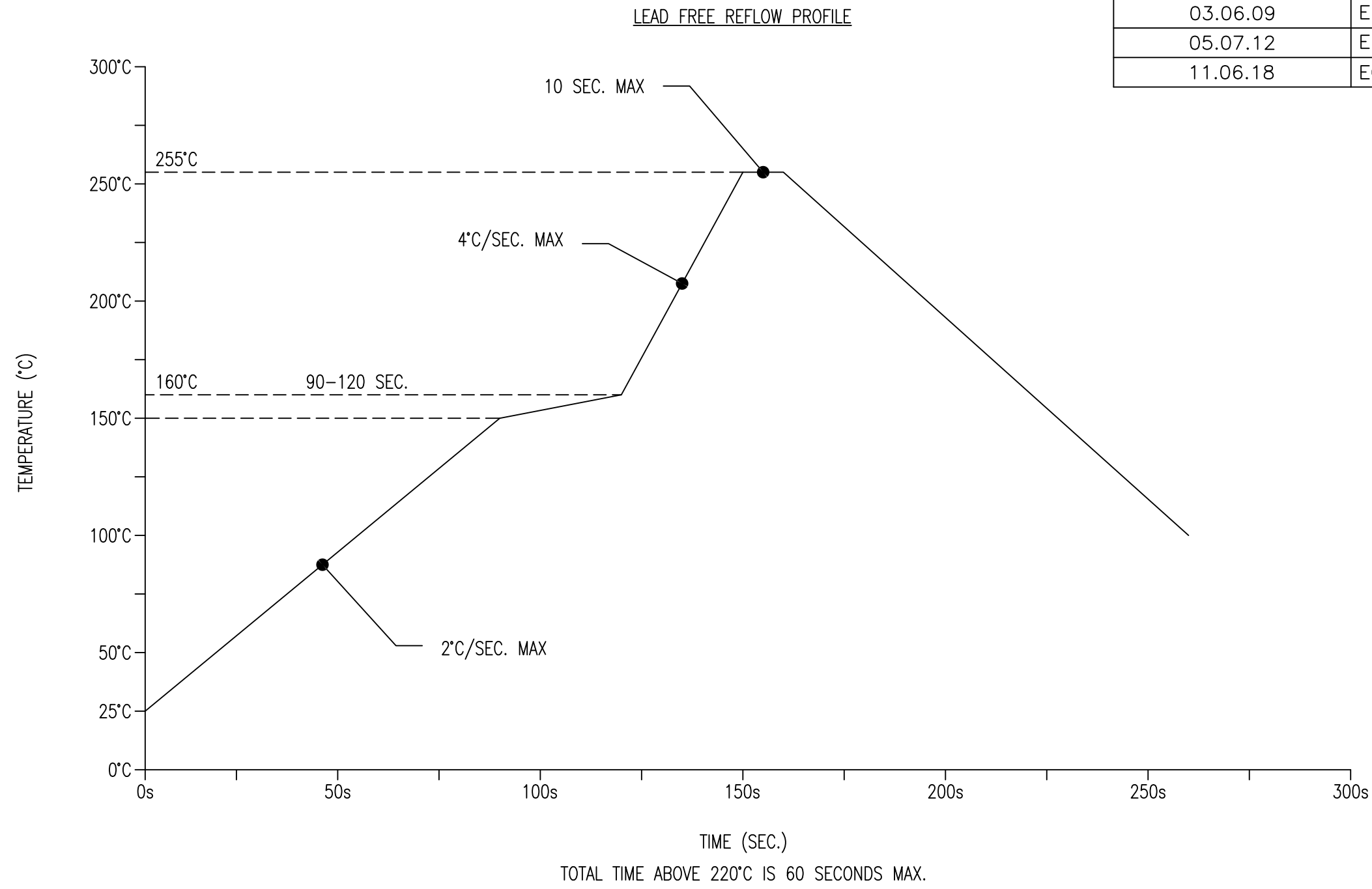


RECOMMENDED SOLDER PAD LAYOUT



*UNLESS OTHERWISE SPECIFIED TOLERANCES PER DECIMAL PRECISION ARE: X=±1 (±0.039), X.X=±0.5 (±0.020), X.XX=±0.25 (±0.010), X.XXX=±0.127 (±0.005). LEAD SIZE=±0.05 (±0.002), LEAD LENGTH=±0.75 (±0.030). MIN= $\frac{+0.00}{-0.00}$ DECIMAL PRECISION MAX.= $\frac{+0.00}{-0.00}$ DECIMAL PRECISION

PART NUMBER	SML-LX0805DRC-TR	REV.	F
DATE	E.C.N. NUMBER AND REVISION COMMENTS	REV.	
05.09.02	E.C.N. #10862.	A	
03.14.03	E.C.N. #10967.	B	
01.17.05	E.C.N. #11148.	C	
03.06.09	E.C.N. #11508.	D	
05.07.12	E.C.N. #10BRDR & REDRAWN.	E	
11.06.18	ECN-Lumex201800168	F	



NOTES:

1. POLARITY MARK IS ORIENTED TOWARDS TAPE SPROCKET HOLE.

*UNLESS OTHERWISE SPECIFIED TOLERANCES PER DECIMAL PRECISION ARE: X=±1 (±0.039), X.X=±0.5 (±0.020), X.XX=±0.25 (±0.010), X.XXX=±0.127 (±0.005). LEAD SIZE=±0.05 (±0.002), LEAD LENGTH=±0.75 (±0.030). MIN= ^{+DECIMAL PRECISION}/_{-0.00} MAX.= ^{+0.00}/_{-DECIMAL PRECISION}



425 N. GARY AVE.
CAROL STREAM, IL 60188-4900
PHONE: 800-278-5666
FAX: 630-315-2152
WEB: WWW.LUMEX.COM

2.0mm x 1.25mm PCB SURFACE MOUNT, 650nm DEEP RED, WATER CLEAR LENS, TAPE AND REEL.

THE SPECIFICATIONS MAY CHANGE AT ANY TIME WITHOUT NOTICE.

CONFIDENTIAL INFORMATION
THE INFORMATION CONTAINED IN THIS DOCUMENT IS THE PROPERTY OF LUMEX INC. EXCEPT AS SPECIFICALLY AUTHORIZED IN WRITING BY LUMEX INC., THE HOLDER OF THIS DOCUMENT SHALL KEEP ALL INFORMATION CONTAINED HEREIN CONFIDENTIAL AND SHALL PROTECT SAME IN WHOLE OR IN PART FROM DISCLOSURE AND DISSEMINATION TO ALL THIRD PARTIES.

DATE:	11.06.18	DRAWN BY:	C.S.
PAGE:	2 OF 2	CHKD BY:	E.C.
SCALE:	NTS	APRVD BY:	G.Y.
UNIT:	mm [INCH]		(Pb)

Mouser Electronics

Authorized Distributor

Click to View Pricing, Inventory, Delivery & Lifecycle Information:

Lumex:

[SML-LX0805DRC-TR](#)