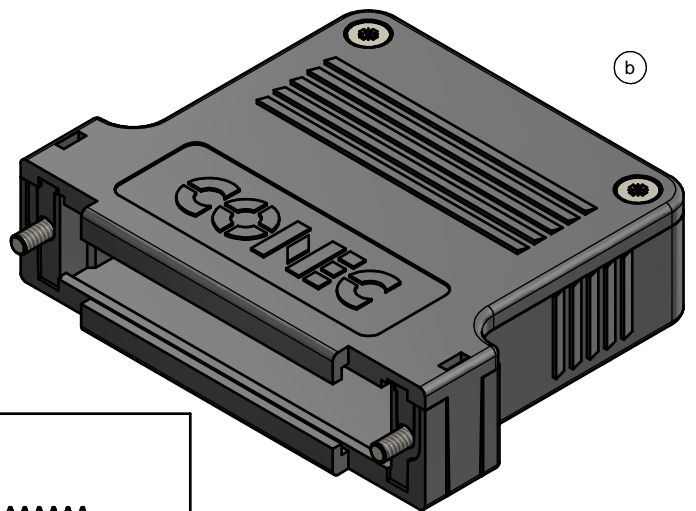




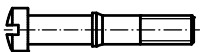

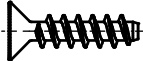
NOTES: (b)


1. HOOD + COVER: PBT UL 94 V-0; BLACK
2. CABLE STRAIN RELIEF: STEEL; NICKEL PLATED
3. PRESS INSERT: ABS UL 94 V-0; BLACK
4. SHORT SCREWS: STEEL; NICKEL PLATED
5. COVER SCREWS: STEEL; NICKEL PLATED
6. LENS HEAD SCREWS: STEEL; NICKEL PLATED

TECHNICAL DATA:

- TEMPERATURE RANGE: -40°C to + 125°C



 CABLE STRAIN RELIEF (1x)	 LENS HEAD SCREW (2x)
 SHORT SCREW (2x)	 PRESS INSERT (1x)
	 COVER SCREW (2x)

THIS DRAWING MAY NOT BE COPIED OR REPRODUCED IN ANY WAY, AND MAY NOT BE PASSED ON TO A THIRD PARTY WITHOUT WRITTEN PERMISSION. OWNERSHIP AND COPYRIGHT OF CONEC GmbH DO NOT ALTER CAD DRAWING BY HAND	tolerance		dim. in mm		scale: 2:1
					material: SEE NOTES
	drawn	14.04.2015	name	title: PLASTIC HOOD	
	appd.	14.04.2015	Lehmenkühler	37pos. with straight cable exit	
norm			d-old	16K1A707	dwg no:
5 x b	A5607	14.04.15	M.H.		
a	Original				
rev.	description	date	name	part no: (b) 165X13399X	

RoHS compliant

Mouser Electronics

Authorized Distributor

Click to View Pricing, Inventory, Delivery & Lifecycle Information:

CONEC:

[165X13369XE](#) [165X13379XE](#) [165X13389XE](#) [165X13399XE](#) [165X13409XE](#) [165X13389X](#) [165X13399X](#)
[165X13409X](#)