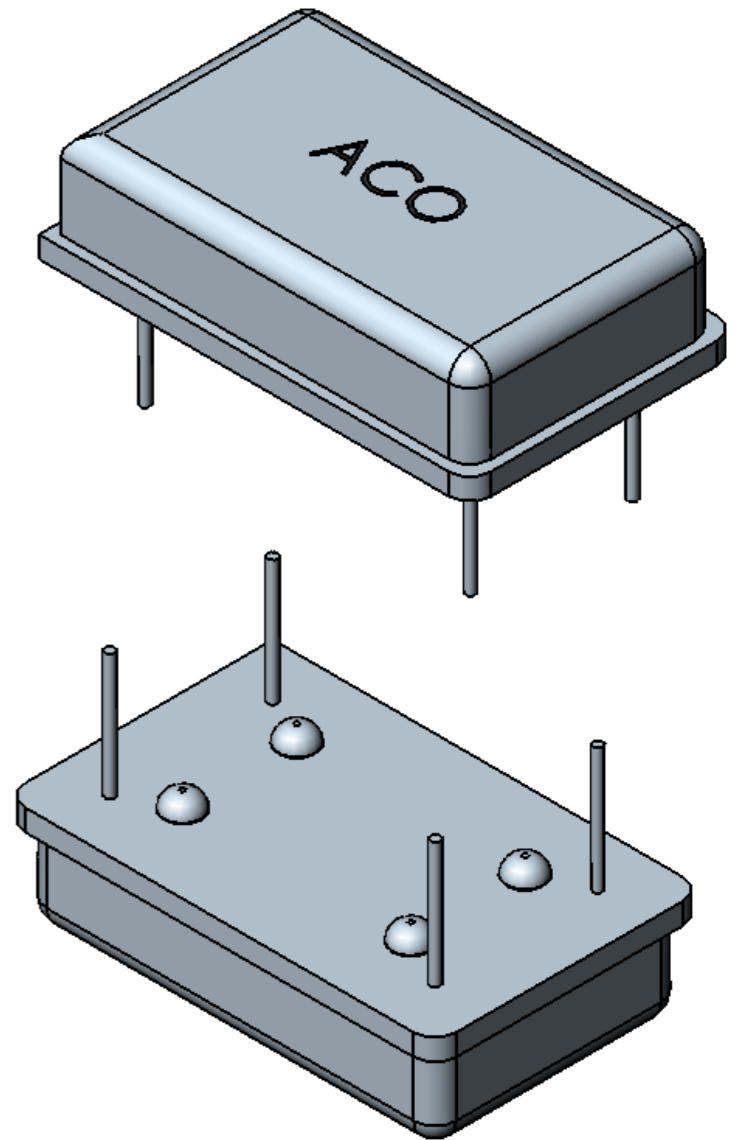



PIN	FUNCTION
1	NC or Tristate
7	GND/Case
8	Output
14	VDD

Note: Recommend using an approximately 0.01uF bypass capacitor between PIN 7 and 14



TOP PACKAGE MARKING IS FOR ILLUSTRATION PURPOSES ONLY

The height of the package vary depending on the frequency >100MHz. Please contact ABRACON for the height information for F>100MHz.

UNLESS OTHERWISE SPECIFIED: DIMENSIONS ARE IN INCH(MM) SURFACE FINISH: TOLERANCES: LINEAR: ANGULAR:				FINISH:	DEBUR AND BREAK SHARP EDGES	DO NOT SCALE DRAWING	REVISION
DRAWN SAAZVAT				SIGNATURE	DATE	 30332 Esperanza, Rancho Santa margarita, California 92688	
CHK'D XXXXXX						TITLE: OSCILLATOR	
APPV'D						DWG NO. ACO	
MFG						SCALE:4:1	
Q.A				MATERIAL:		SHEET 1 OF 1	
				WEIGHT:		A3	

Mouser Electronics

Authorized Distributor

Click to View Pricing, Inventory, Delivery & Lifecycle Information:

ABRACON:

[ACO-40.000MHZ-EK](#) [ACO-12.000MHZ-EK](#) [ACO-8.000MHZ-EK](#) [ACO-50.000MHZ-EK](#) [ACO-27.000MHZ-EK](#) [ACO-14.31818MHZ-EK](#) [ACO-48.000MHZ-EK](#) [ACO-4.000MHZ-EK](#) [ACO-16.000MHZ-EK](#) [ACO-3.6864MHZ-EK](#) [ACO-25.000MHZ-EK](#) [ACO-10.000MHZ-EK](#) [ACO-11.0592MHZ-EK](#) [ACO-32.768MHZ-EK](#) [ACO-20.000MHZ-EK](#) [ACO-32.000MHZ-EK](#) [ACO-18.432MHZ-EK](#) [ACO-24.576MHZ-EK](#) [ACO44.000MHZEK](#) [ACO-32.768KHZ](#) [ACO-110.000MHZ-EC-G](#) [ACO-1.000MHZ](#)