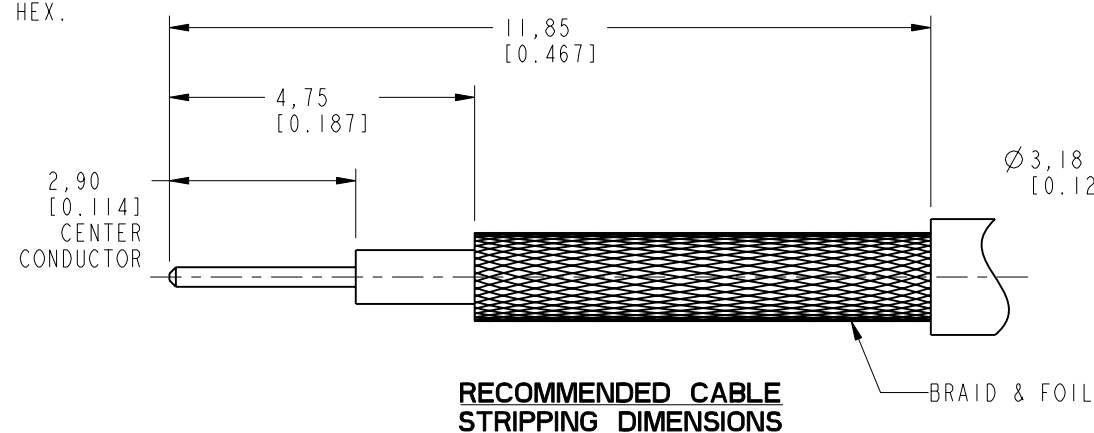


NOTES:

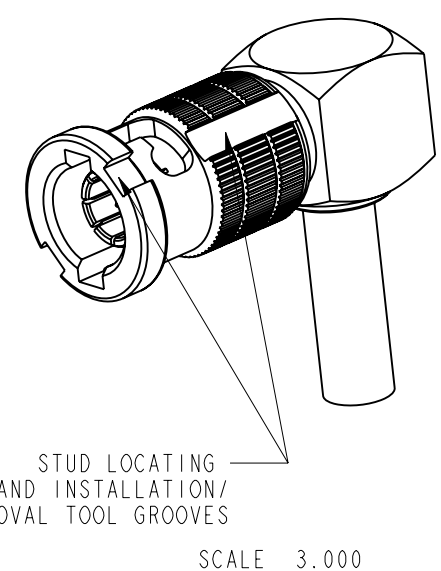
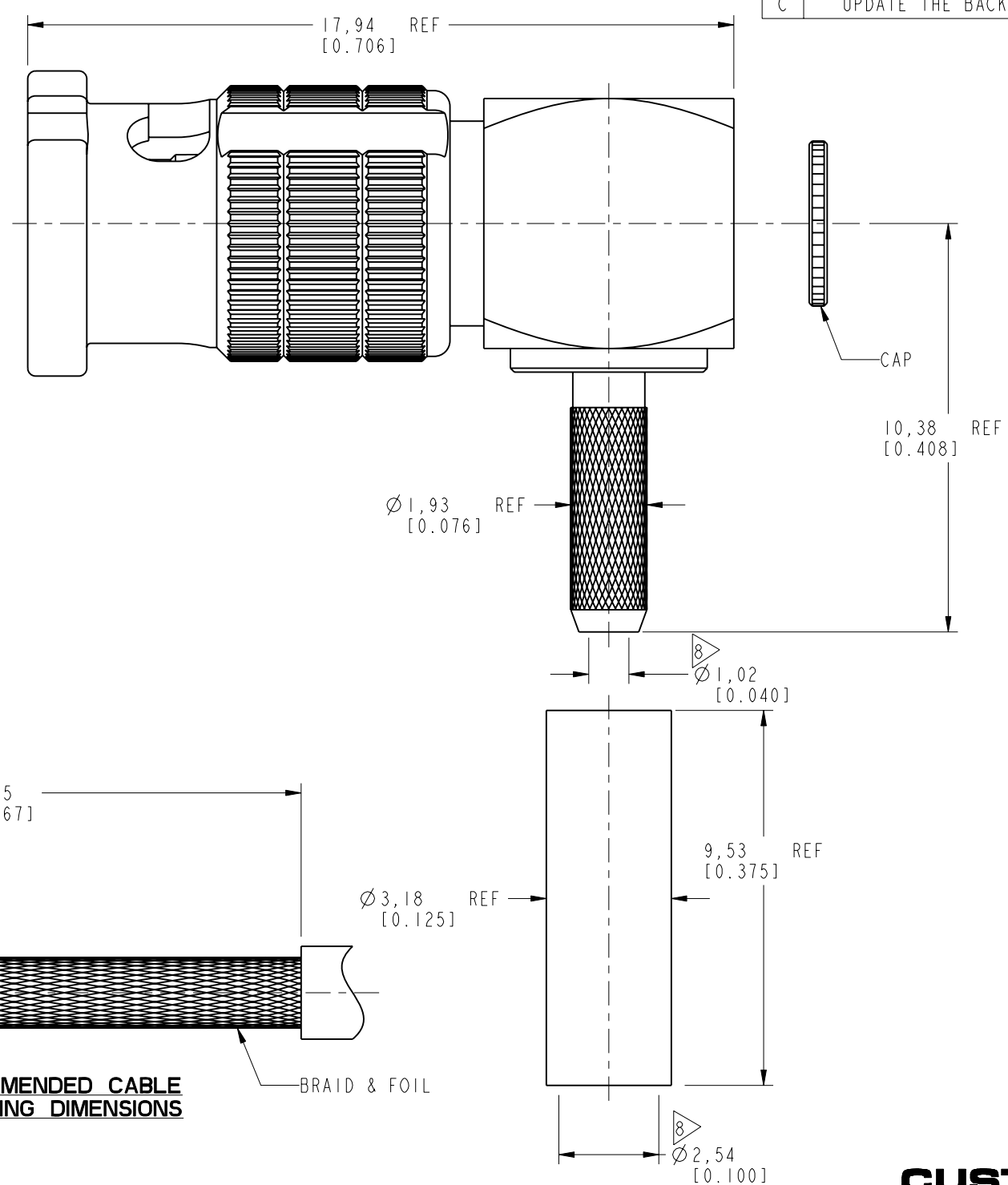
1. MATERIALS AND FINISHES:  
 BODY, BAYONET SLEEVE, RETAINING RING  
 WASHER & CAP - BRASS, NICKEL PLATING  
 OUTER CONTACT - BeCu, NICKEL PLATING  
 CONTACT - PHOSPHOR BRONZE, GOLD PLATING  
 FERRULE - COPPER, NICKEL PLATING  
 INSULATOR - PTFE, NATURAL  
 SPRING - STAINLESS STEEL, PASSIVATED  
 GASKET - FLUOROSILICONE, BLUE
2. ELECTRICAL:  
 A. IMPEDANCE: 50 OHM  
 B. FREQUENCY RANGE: DC - 6 GHz  
 C. VSWR: 1.12 MAX @ DC-3 GHz.  
 D. DIELECTRIC WITHSTANDING VOLTAGE: 500 VRMS, MIN.  
 E. INSULATION RESISTANCE: 10,000 MΩ MIN
3. MECHANICAL:  
 A. DURABILITY: 500 CYCLES MIN.  
 B. TEMPERATURE RANGE: -65°C TO +165°C
4. ENVIRONMENTAL:  
 A. THERMAL SHOCK PER MIL-STD-202 METHOD 107  
 TEST CONDITION B (EXCEPT HIGH TEMP @200°C)  
 B. VIBRATION: MIL-STD-202 METHOD 204 TEST CONDITION B  
 C. SHOCK: MIL-STD-202 METHOD 213 TEST CONDITION B  
 D. CORROSION: MIL-STD-202 METHOD 101  
 TEST CONDITION B 5% SALT SOLUTION
5. PACKAGING:  
 A. QUANTITY: SINGLE PACK  
 B. MARKING: BAG TO BE MARKED:  
 "AMPHENOL RF, 34-5012 DATE CODE  
 U.S. PATENT NO. 7,553,177"
6. HIGH DENSITY INSTALLATION/REMOVAL TOOL: 227-T2000
7. CABLE ASSEMBLY INSTRUCTIONS:  
 A. TRIM CABLE AS SHOWN.  
 B. SLIDE THE FERRULE ONTO THE CABLE.  
 C. SOLDER CONTACT TO CABLE CENTER CONDUCTOR.  
 D. CRIMP FERRULE WITH 0.105" HEX.  
 E. PRESS CAP FLUSH.

8> SHOWS CABLE ENTRY DIMENSIONS.



THIRD ANGLE PROJ.

REVISIONS				
REV	DESCRIPTION	DATE	ECO	APPR
A	RELEASE TO MFG.	05-Apr-13	49282	FW
B	OPTIMIZED CRIMP DESIGN	23-Oct-17	05587	SS/VK
C	UPDATE THE BACK-END DESIGN ON DIAMOND KNURL	26-Feb-18	07068	SS



**PROTECTED UNDER U.S. PATENT # 7,553,177**

**CUSTOMER OUTLINE DRAWING**  
 ALL OTHER SHEETS ARE FOR INTERNAL USE ONLY

UNLESS OTHERWISE SPECIFIED, DIMENSIONS ARE IN METRIC AND TOLERANCES ARE: <0.5mm ±0.05mm    0.5 - 6mm ±0.1mm    6 - 30mm ±0.2mm    30 - 120mm ±0.3mm    ANGLES ±1° NOTICE - These drawings, specifications, or other data (1) are, and remain the property of Amphenol corp. (2) must be returned upon request; and (3) are confidential and not to be disclosed to any person other than those to whom they are given by Amphenol Corp. the finishing of these drawings, specifications, or other data by Amphenol Corp., or to any other person to anyone for any purpose is not to be regarded by implication or otherwise in any manner licensing, granting rights to permitting such holder or any other person to manufacture, use or sell any product, process or design, patented or otherwise, that may in any way be related to or disclosed by said drawings, specifications, or other data.	MATERIAL	DRAWN	DATE	TITLE 50 OHM HD-BNC RA PLUG FOR RG 178 CABLE SCALE: 6.5:1.0   SHEET 2 OF 2	Amphenol RF www.amphenolrf.com
	SEE NOTES	K. SONG	01-Mar-18		
	REFERENCE	ENGINEER	DATE	DWG SIZE B	REV C
	EAR # 4505 & EAR 7188	A ARUN PRABU	10-May-11		
CONFIGURATION LEVEL: In Work	APPROVED	DATE	DRAWING NO. 34-5012		
FINISH	S. HSIEH	01-Mar-18	ITEM NO. 34-5012		
	CAD FILE		PART NO. 34-5012		