

4

3

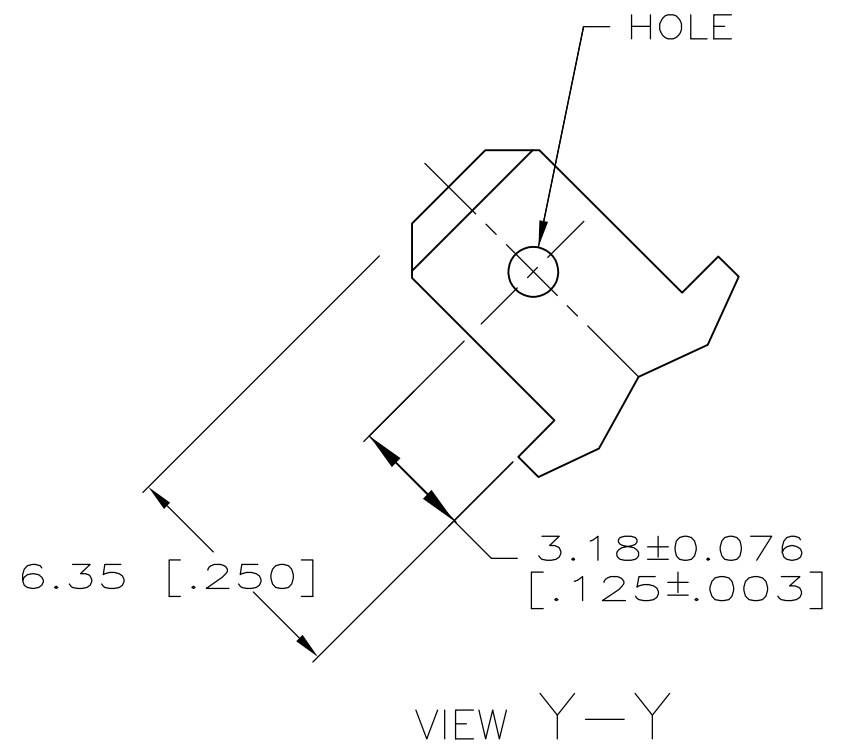
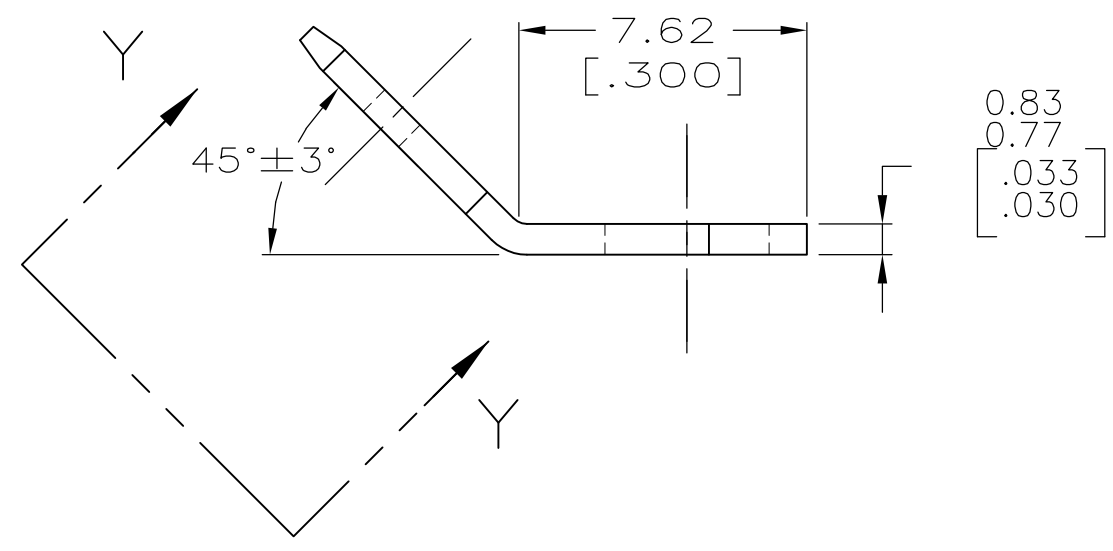
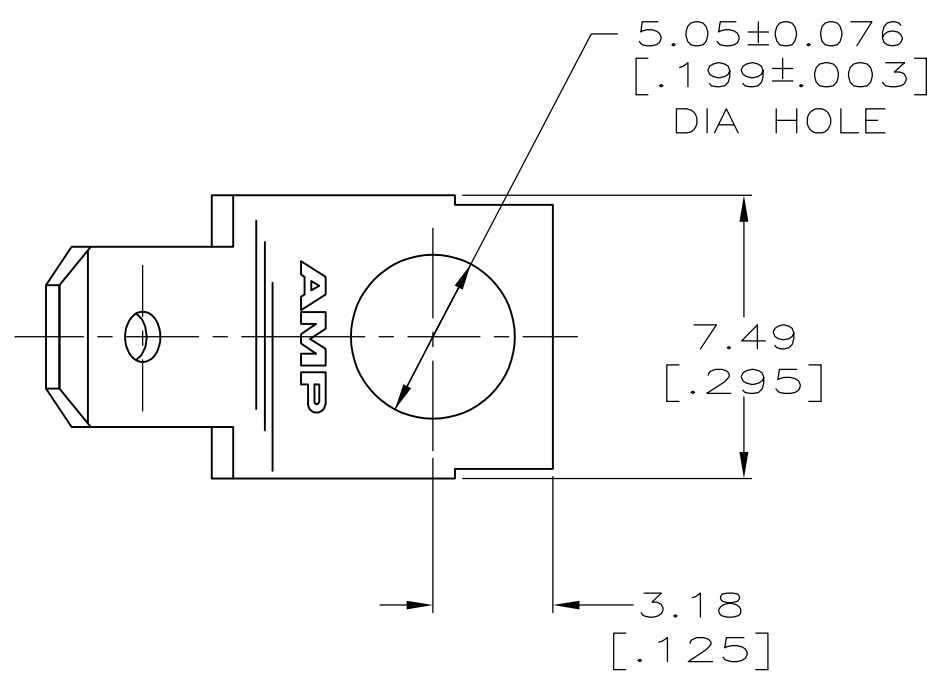
2

1

THIS DRAWING IS UNPUBLISHED. RELEASED FOR PUBLICATION
 © COPYRIGHT - By - ALL RIGHTS RESERVED.

LOC	DIST	REVISIONS					
AF	50	P	LTR	DESCRIPTION	DATE	DWN	APVD
		D		REVISED PER ECR-13-011489	14DEC2013	KH	PD

1 SUPPLIED IN LOOSE PIECE.



1217050-1
PART NO.

THIS DRAWING IS A CONTROLLED DOCUMENT.		DWN	JR RUTH	1/16/98	STE TE Connectivity			
DIMENSIONS: mm [INCHES]		CHK	MS FEHER	1/16/98				
TOLERANCES UNLESS OTHERWISE SPECIFIED:		APVD	J HUZVAR	1/16/98	NAME			
0 PLC	± -	PRODUCT SPEC			TAB, FASTON™, 4.75 [.187] SERIES			
1 PLC	± -	APPLICATION SPEC			SIZE	CAGE CODE	DRAWING NO	RESTRICTED TO
2 PLC	± 0.38 [.015]	WEIGHT			A3	D	C-1217050	-
3 PLC	± -	MATERIAL			CUSTOMER DRAWING			SCALE
4 PLC	± -	FINISH			5:1			SHEET
ANGLES	± -	BRASS			TIN			1 OF 1
					REV			D

Mouser Electronics

Authorized Distributor

Click to View Pricing, Inventory, Delivery & Lifecycle Information:

[TE Connectivity:](#)

[1217050-1](#)