

# GPS/Galileo + GLONASS Ceramic Patch Antenna



APAKN2504-C2G-T

25.0 x 25.0 x 4.0mm  
RoHS/RoHS II Compliant  
MSL = 1

## FEATURES

- Gain of 3.6 dBi
- 1575.42 and 1602 MHz bands
- RHCP polarization
- 25.0 x 25.0 x 4.0mm form factor

## APPLICATIONS

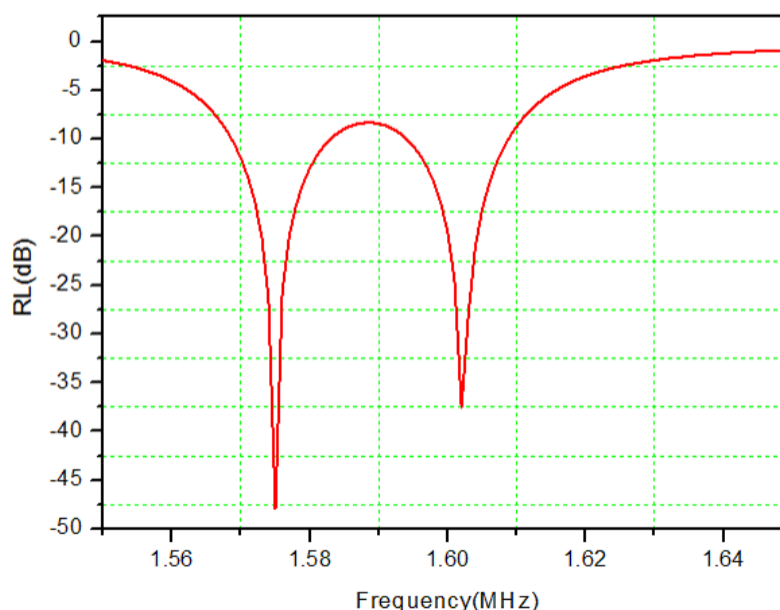
- GPS/GNSS
- Galileo
- GLONASS
- IoT
- Remote technology/monitoring
- M2M

## ELECTRICALSPECIFICATIONS

| Parameters                             | min  | Typ.          | Max. | Units  | Note                          |
|--|------|---------------|------|--------|-------------------------------|
| <b>Application Band: GPS / Galileo</b> |      | 1575.42±1.023 |      | MHz    | ( On a 70*70mm Ground Plane ) |
| Return Loss: GPS / Galileo             |      |               | -10  | dB     |                               |
| Gain (Peak): GPS / Galileo             |      | 3.6           |      | dBi    |                               |
| <b>Application Band: GLONASS</b>       |      | 1602±5.0      |      | MHz    | ( On a 70*70mm Ground Plane ) |
| Return Loss: GLONASS                   |      |               | -10  | dB     |                               |
| Gain (Peak): GLONASS                   |      | 3.6           |      | dBi    |                               |
| Polarization Model                     | RHCP |               |      |        |                               |
| Impedance                              | 50   |               |      | Ω      |                               |
| Frequency Temperature Coefficient      |      |               | 20   | ppm/°C |                               |

(\*) Application environment, including size of the ground plane, proximity to adjacent components, etc., will affect stated performance. Fine tuning might be required when installed on end-customer's PCB. Abracon offers Antenna Optimization Service, please contact Abracon.

## RETURN LOSS CHARACTERISTIC



Return Loss characteristic shows a dual band response for GPS/Galileo & GLONASS



5101 Hidden Creek Ln Spicewood TX 78669  
Phone: 512-371-6159 | Fax: 512-351-8858  
For terms and conditions of sales, please visit:  
[www.abracon.com](http://www.abracon.com)

REVISED: 05.11.2020

ABRACON IS  
ISO9001-2015  
CERTIFIED

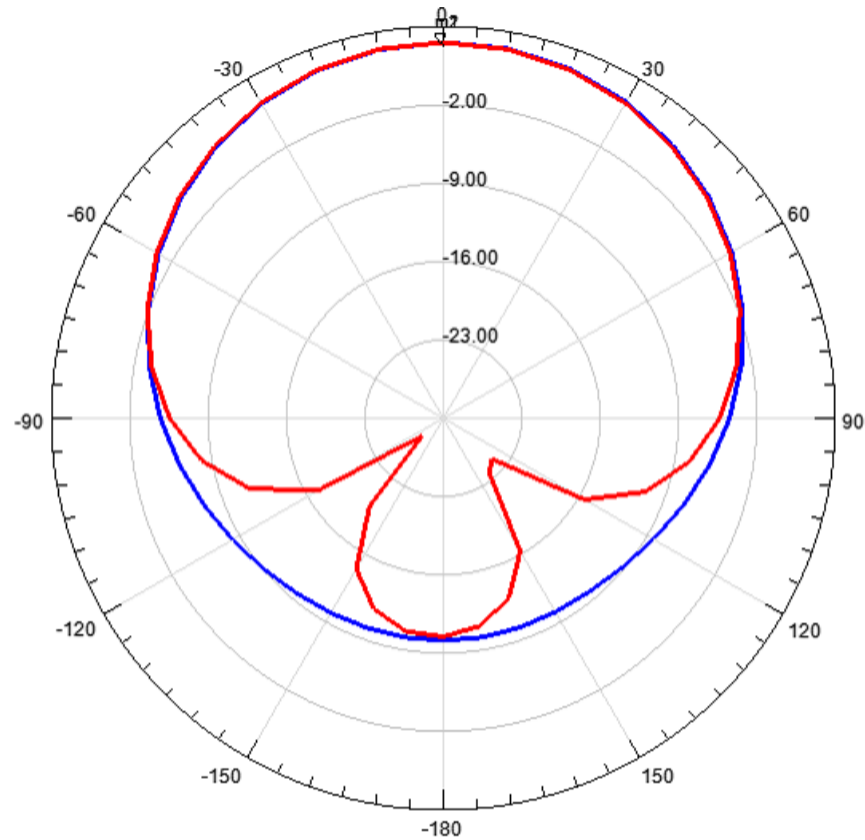
# GPS/Galileo + GLONASS Ceramic Patch Antenna



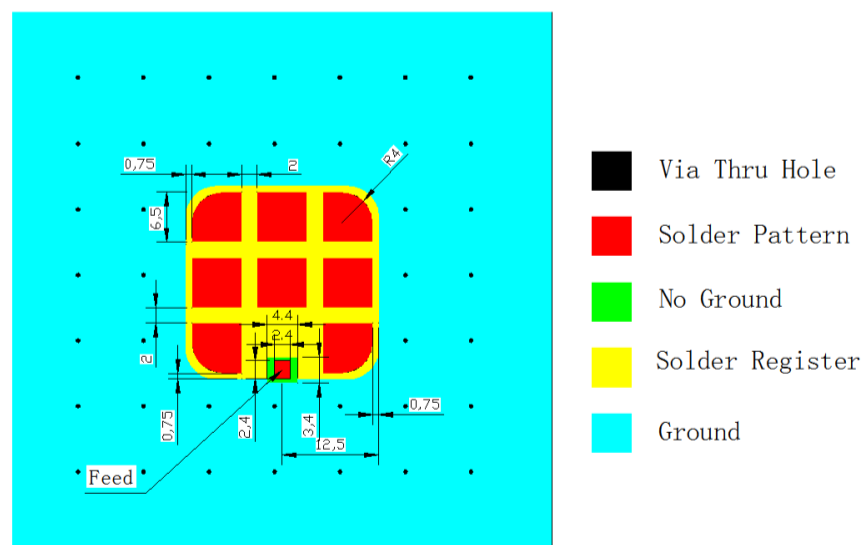
APAKN2504-C2G-T

25.0 x 25.0 x 4.0mm  
RoHS/RoHS II Compliant  
MSL = 1

## RADIATION PATTERN (X-Y PLANE)



## LANDING PATTERN



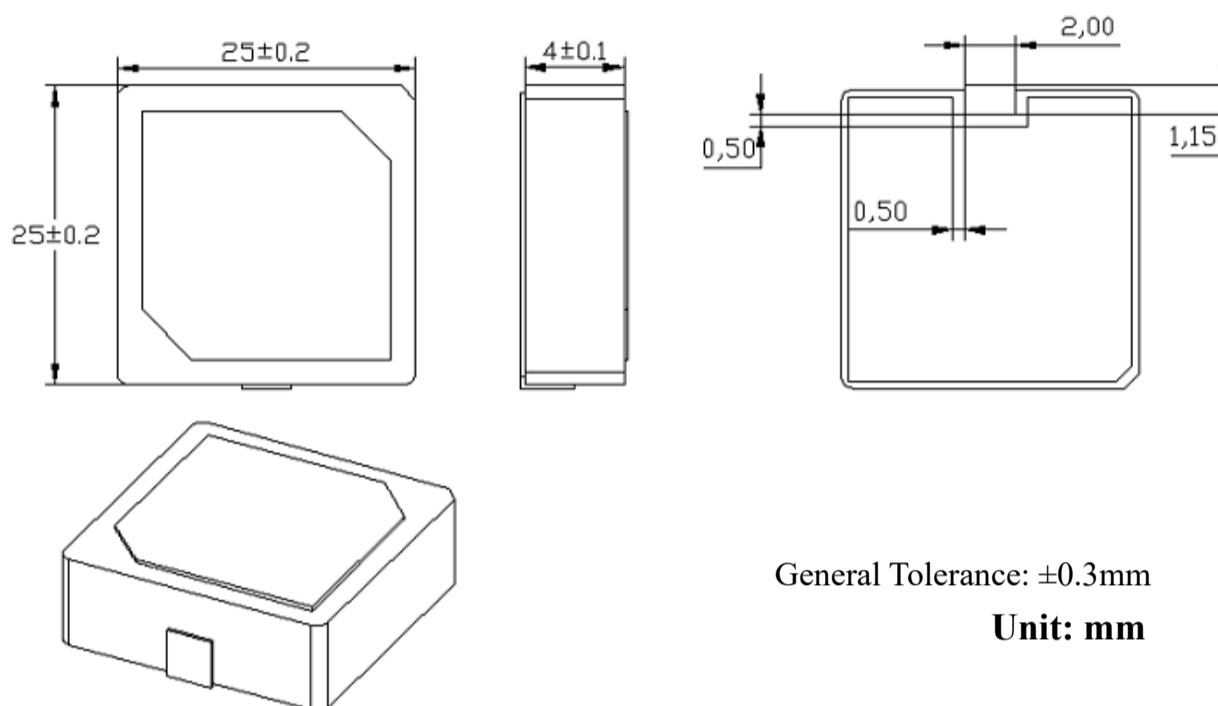
# GPS/Galileo + GLONASS Ceramic Patch Antenna



APAKN2504-C2G-T

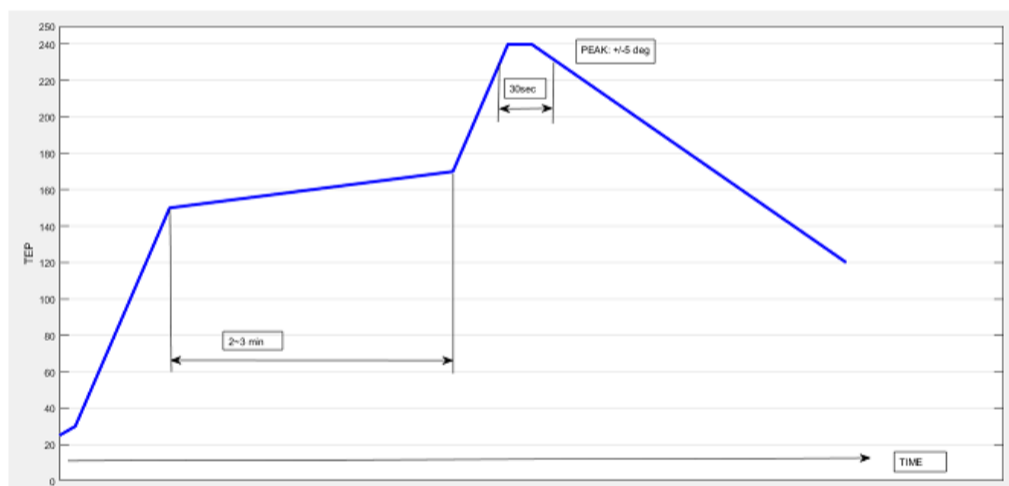
25.0 x 25.0 x 4.0mm  
RoHS/RoHS II Compliant  
MSL = 1

## OUTLINEDIMENSIONS



## REFLOW PROFILE

Solder Paste: Sn/Ag/Cu: 96.5/3.0/0.5  
Recommended reflow condition:



## PACKAGING

Package is made of corrugated paper with thickness of 0.8cm. Carton has 4 inner boxes; each box has 1 vacuum bag.

Quantity:

|                           |                   |
|---------------------------|-------------------|
| Per package base          | : 50 elements     |
| Per vacuum bag            | : 5 package bases |
| Per inner box             | : 1 vacuum bag    |
| Per package               | : 4 inner boxes   |
| Total No of piece/package | : 1000            |
| Gross Weight              | : 12 Kg           |
| Carton Dimensions         | : 37x37x17cm      |



5101 Hidden Creek Ln Spicewood TX 78669  
Phone: 512-371-6159 | Fax: 512-351-8858  
For terms and conditions of sales, please visit:  
[www.abracon.com](http://www.abracon.com)

REVISED: 05.11.2020

ABRACON IS  
ISO9001-2015  
CERTIFIED

# Mouser Electronics

Authorized Distributor

Click to View Pricing, Inventory, Delivery & Lifecycle Information:

[ABRACON:](#)

[APAKN2504-C2G-T](#)