

5

4

3

2

1

DRAWING NO.

CPAD556M-CUST

REVISIONS

01

OFFICIAL RELEASE

02-20-09

I

W

Y

B

T

02

RELEASE FOR SUPPLIER ALTER

07-27-11

Y

G

G

M

L

03

MATERIAL OF LOCK WASHER
WAS BRASS
Φ15.5 WAS Φ15.10

12-31-11

Y

G

G

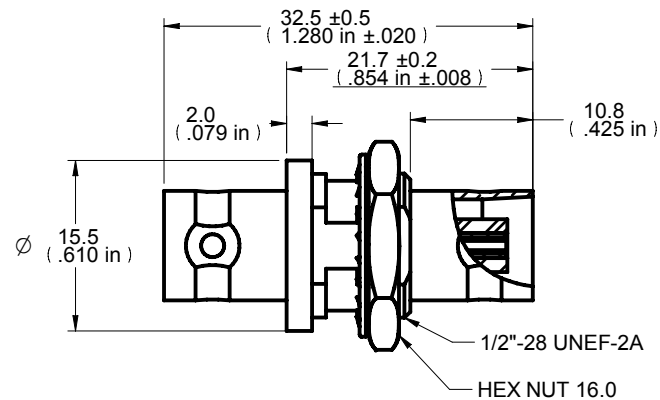
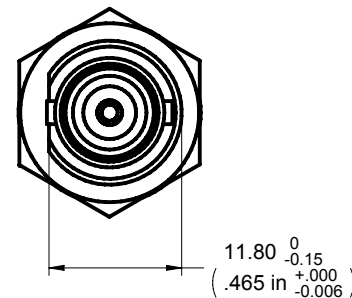
M

L

ECO-11-0270

Description: BNC Bulkhead Adapter Jack to Jack
 Part No: CPAD556M
 Application: Adapter
 Crimp Tool: N/A
 Impedance: 50 Ohms
 Frequency Range: 0-4 GHz
 Material: Body: Brass Nickel plated
 Contact: BerylliumCopper Gold plated
 Insulator: Teflon
 Lock Washer: Iron Nickel plated
 HEX Nut: Brass Nickel plated

RoHS Compliance: Yes
 Technical Detail: Refer to Emerson Document P/N 27-0000

**DIM OUTLINE****CUSTOMER COPY**

TOLERANCE UNLESS OTHERWISE SPECIFIED		DRAWN BY YUGE HU	DATE 07-27-11
DECIMALS	mm	CHECKED BY YUGE HU	DATE 07-27-11
X	± 0.5	APPROVED BY YUGE HU	DATE 07-27-11
X.X	± 0.3	U/M	mm
X.XX	± 0.1		
ANGLES	± 0.5°		


**Connectivity
Solutions**

 TITLE
 BNC BULKHEAD ADAPTER JACK TO JACK

 SHEET
 1 OF 1

 DRAWING NO.
 CPAD556M-CUST

 SIZE
 A

 THIS DRAWING WAS PRODUCED BY COMPUTER,
 DO NOT SCALE DRAWING OR UPDATE MANUALLY.

5

4

3

2

1

D

D

C

C

B

B

A

A

Mouser Electronics

Authorized Distributor

Click to View Pricing, Inventory, Delivery & Lifecycle Information:

[Cinch Connectivity Solutions:](#)

[CP-AD556M](#)