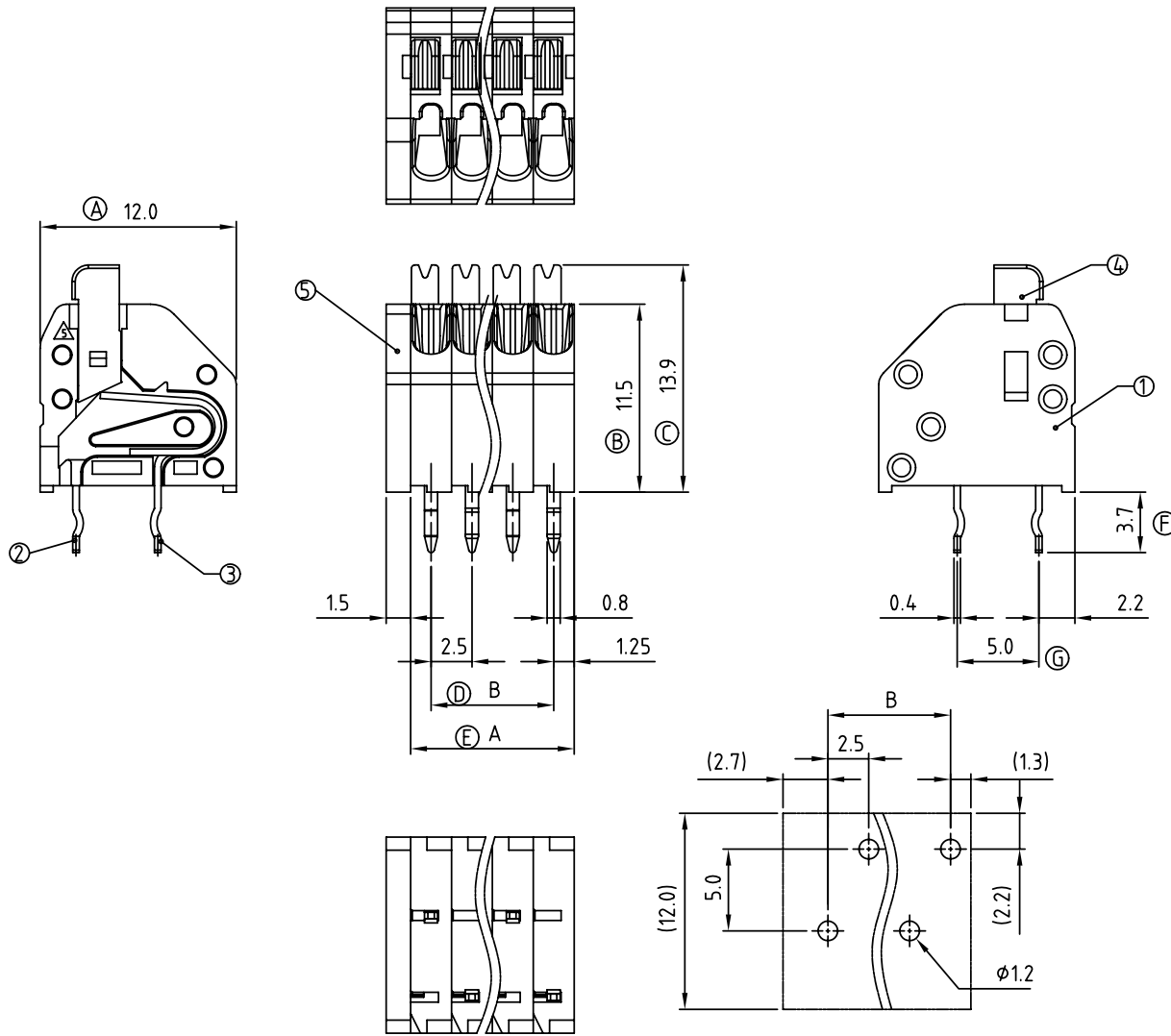


SIGN	DATE	DESCRIPTION	APPROVER
△	9/16'08	Voltage rating changed from 150V to 300V	Tony
△	9/16'08	Add "CQC" Safety Approval Logo	Tony
△	9/16'08	Wire strip length changed from 6-7mm to 8.5-10mm	Tony
△	9/16'08	Operating temperature changed (-40°C to +115°C)	Tony
△	4/24'10	Electrical & Structure & PART NO.changed	Runner
△	12/25'10	How to order is changed	Runner

THIS IS CAD DRAWING, DO NOT REVISE MANUALLY!!!



Material

- Item ① Terminal body: Thermoplastic (UL94V-0)
 - Item ② Side Contact pin : PhBz Tin plated.
 - Item ③ Center contact pin: PhBz.Tin plated.
 - Item ④ Terminal lever : Thermoplastic (UL94V-0)
 - Item ⑤ Terminal cover : Thermoplastic (UL94V-0)
- △ Electrical: cULus CQC
- Voltage rating: 300V 300V
 - Current rating: 2A 2A
 - Wire range:
 - Solid wire(AWG): 20-26 20
 - Stranded wire(AWG): 20-26 20
 - △ ● Wire strip length: 8.5-10.0mm
 - Withstanding Voltage: 1.6KV 2.5KV
 - △ ● Operating temperature: -40°C to +115°C
 - The soldering temperature: 250°C±5°C/5 Sec.
 - △ ● Safety Approval:

△ HC xx B 2 x 0 xxxx G △

No. OF POLES
02: 2 POLES
:
24: 24 POLES

COLOR
2: Red
3: Orange
5: Green (RAL 6018/T)
8: Grey (RAL 7004/P)

0000: "@ " Logo (Standard)
000A: "ANYTEK" Mark
Any special item by customer request.
please contact sales department.

POLE	2	3	4	5	6	7	8	9	10	11	12	
A	5.00	7.50	10.00	12.50	15.00	17.50	20.00	22.50	25.00	27.50	30.00	
B	2.50	5.00	7.50	10.00	12.50	15.00	17.50	20.00	22.50	25.00	27.50	
Tol.	±0.20						±0.30					
POLE	13	14	15	16	17	18	19	20	21	22	23	24
A	32.50	35.00	37.50	40.00	42.50	45.00	47.50	50.00	52.50	55.00	57.50	60.00
B	30.00	32.50	35.00	37.50	40.00	42.50	45.00	47.50	50.00	52.50	55.00	57.50
Tol.	±0.40						±0.50					

ANYTEK

CUSTOMER COPY

ALL RIGHTS RESERVED. REPRODUCTION OR ISSUE TO THIRD PARTIES IN ANY FORM WHATSOEVER IS NOT PERMITTED WITHOUT WRITTEN AUTHORITY FROM THE PROPRIETOR. PROPERTY OF ANYTEK TECHNOLOGY CO., LTD

TITLE		HC 2.5mm -High profile Series			
PART NO.	HCxxB2x0xxxxG			DWG NO.	8HC0501
APPROVED	CHECKED	DESIGNED	DRAWN	CUST NO.	
		Runner 2010.12.25	Tony 2008.09.16		
				SHEET: 01/01	Tolerance
				UNIT: mm	X. ±0.50
				SCALE: NONE	X.X ±0.30
				REV.: E	X.XX ±0.10
					X° ±1°

Mouser Electronics

Authorized Distributor

Click to View Pricing, Inventory, Delivery & Lifecycle Information:

[Amphenol:](#)

[HC02B2800000G](#) [HC03B2800000G](#) [HC04B2800000G](#) [HC05B2800000G](#) [HC06B2800000G](#) [HC07B2800000G](#)
[HC08B2800000G](#) [HC09B2800000G](#) [HC10B2800000G](#) [HC11B2800000G](#) [HC12B2800000G](#) [HC13B2800000G](#)
[HC14B2800000G](#) [HC15B2800000G](#) [HC16B2800000G](#) [HC17B2800000G](#) [HC18B2800000G](#) [HC19B2800000G](#)
[HC20B2800000G](#) [HC21B2800000G](#) [HC22B2800000G](#) [HC23B2800000G](#) [HC24B2800000G](#)