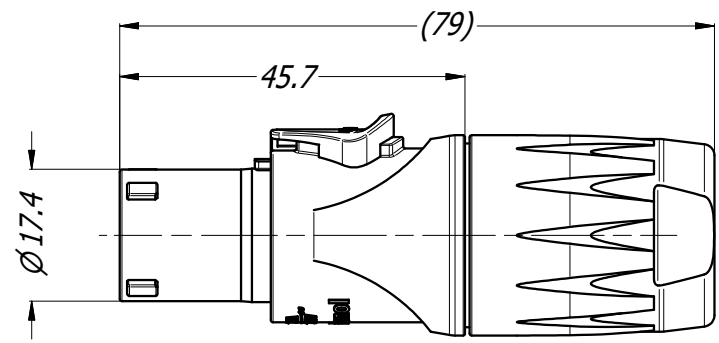
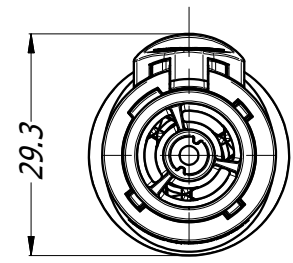
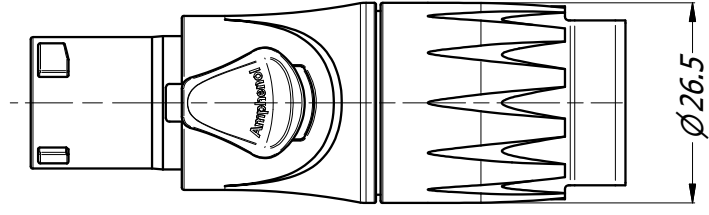


3D VIEW
3:4



PATENTS AND APPLICATIONS :
 US D840341
 US 10823914B2
 EP 3514892B1
 JP 6705027B2
 DE 102018101431A1
 HK 40009428A
 CN 110071397A
 EP 3641070A1

NOTES:
 1. CABLE OD RANGE:
 - SMALL GROMMET: 7.5 - 10.0 mm OD
 - MEDIUM GROMMET: 9.5 - 13.0 mm OD
 - BIG GROMMET: 12.7 - 16.0 mm OD
 2. BACKSHELL TORQUE: 3.7 Nm

UNLESS OTHERWISE SPECIFIED TOLERANCE TO BE		THIS DOCUMENT IS THE PROPERTY OF AMPHENOL AUSTRALIA PTY. LTD. NO PART THEREOF MAY BE REPRODUCED AND USED WITHOUT THE PRIOR WRITTEN CONSENT OF THE OWNER.			
LINEAR	ANGULAR	MATERIAL:	DRN:	T.N	DATE: 26/07/19
X ± 0.5	X' ± 1		CKD:	P.M	DATE: 26/07/19
X.X ± 0.1	X.X' ± 30'		APP'D:	P.M	DATE: 26/07/19
X.X ± 0.05	X.X" ± 15'		SCALE:	1:1	SIZE: A4
BREAK ALL SHARP EDGES AND REMOVE ALL BURRS		FINISH:	THIRD ANGLE PROJECTION		
DO NOT SCALE					
DIMENSIONS IN MILLIMETRES					

Amphenol Australia Pty.Ltd, 22 Industry Blvd, Carrum Downs VIC 3201		PART No:	REV
		HPT-3-FJ	3
TITLE:		DRAWING No.	SHEET
CABLE CONNECTOR FEMALE HPT SERIES CABLE OD 7.5 -16.0 mm		55011362-000-2	2/2

Mouser Electronics

Authorized Distributor

Click to View Pricing, Inventory, Delivery & Lifecycle Information:

[Amphenol:](#)

[HPT-3-FJ](#)