

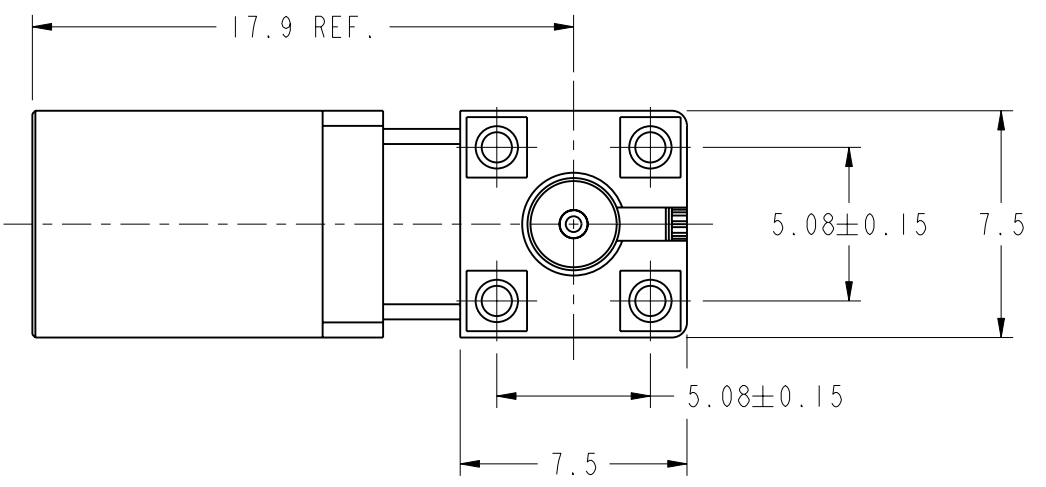
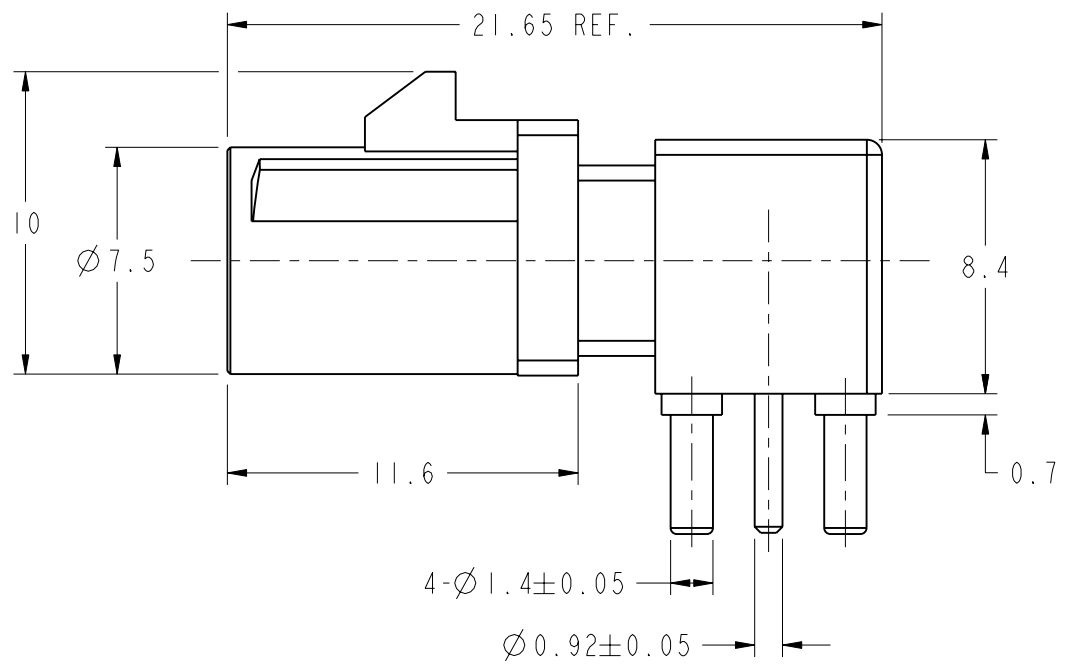
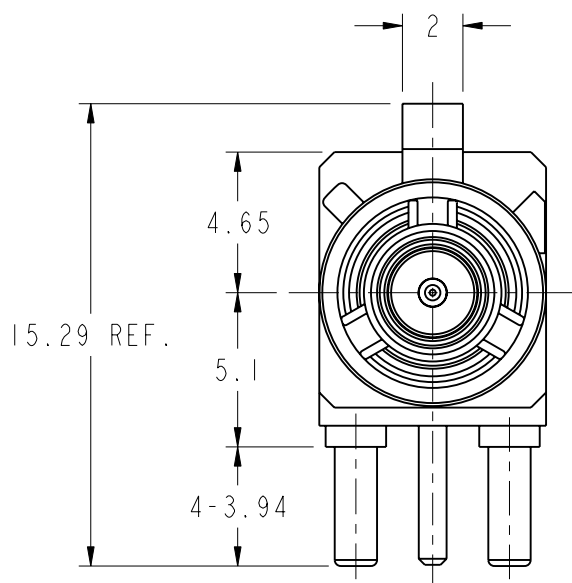
NOTES:

1. MATERIALS AND FINISHES(IN MICRO-INCHES)
 - BODY =ZINC DIECAST, MATTE TIN PL. 100 MIN. THICK OVER NICKEL PL. 100 MIN. THICK OVER COPPER PL.(250 MIN./300 MAX.) THICK
 - CONTACT =BRASS, GOLD PL. 8 MIN. THICK OVER PHOSPHORUS CONTENT 9%~13% ELECTROLESS NICKEL PL. 100 MIN. THICK
 - INSULATOR=PTFE, COLOR: NATURAL.
 - COVER =BRASS, MATTE TIN PL. 100 MIN. THICK OVER NICKEL PL. 100 MIN. THICK OVER COPPER STRIKE
 - HOUSING =NYLON 46, COLOR PER AMPHENOL SPEC. 349-50688 (REFER TO TABLE BELOW FOR KEY CODE)
2. ELECTRICAL:
 - A. FREQUENCY RANGE: DC- 4 GHz
 - B. VSWR:1.4 (DC-4.0 GHz)
3. MECHANICAL:
 - A. DURABILITY: 100 CYCLES MIN.
 - B. TEMPERATURE RANGE: -65° C TO 165° C
 - C. HOUSING MUST WITHSTAND 110N MIN. PULL OUT FORCE FROM FAKRA BODY.
4. PACKAGING:
 - A. QUANTITY: TRAY PACK
 - B. MARKING: TRAY TO BE MARKED "AMPHENOL,2FAI-NXRP-PCB-6, AND DATE CODE"

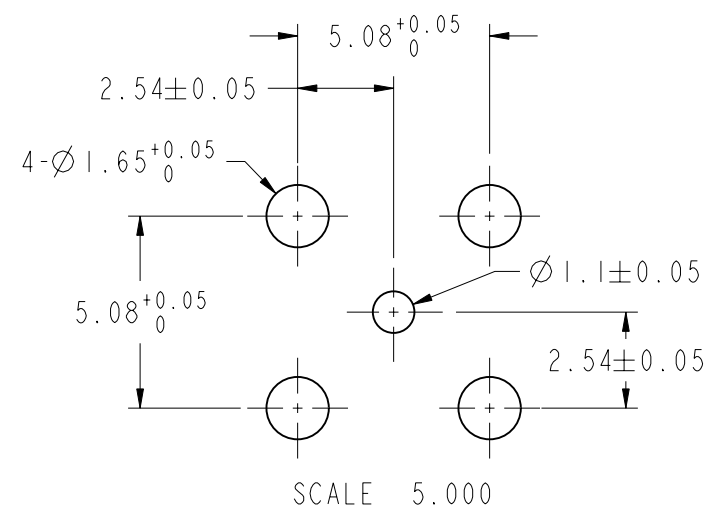
THIRD ANGLE PROJ.

REVISIONS

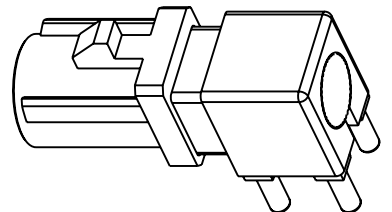
REV	DESCRIPTION	DATE	ECO	APPR
A	RELEASE TO MFG.	22-May-09	----	SH
B	FOR DANBURY RELEASE	14-Sep-11	48783	JY



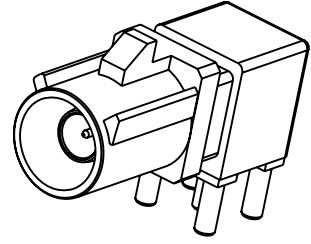
CONFIGURATION CONTROL:
NO CHANGES PERMITTED TO DRAWING WITHOUT
PPAP QUALIFIED CUSTOMER APPROVAL



RECOMMENDED PCB LAYOUT



SCALE 2.000



SCALE 5.000

CUSTOMER OUTLINE DRAWING
ALL OTHER SHEETS ARE FOR INTERNAL USE ONLY

CODING	DRAWING NO.	COLOR	RAL NO.
A	2FAI-NARP-PCB-6	JET BLACK	9005
B	2FAI-NBRP-PCB-6	CREAM	9001
C	2FAI-NCRP-PCB-6	SIGNAL BLUE	5005
D	2FAI-NDRP-PCB-6	CLARET VIOLET	4004
E	2FAI-NERP-PCB-6	LEAF GREEN	6002
F	2FAI-NFRP-PCB-6	NUT BROWN	8011
G	2FAI-NGRP-PCB-6	BLUE GREY	7031
H	2FAI-NHRP-PCB-6	HEATHER VIOLET	4003
I	2FAI-NIRP-PCB-6	BEIGE	1001
K	2FAI-NKRP-PCB-6	CURRY	1027
L	2FAI-NLRP-PCB-6	CARMINE RED	3002
M	2FAI-NMRP-PCB-6	PASTEL ORANGE	2003
N	2FAI-NNRP-PCB-6	PASTEL GREEN	6019
Z	2FAI-NZRP-PCB-6	WATER BLUE	5021

UNLESS OTHERWISE SPECIFIED, DIMENSIONS ARE IN METRIC AND TOLERANCES ARE:
 <0.5mm ±0.05mm 0.5 - 6mm ±0.1mm 6 - 30mm ±0.2mm 30 - 120mm ±0.3mm ANGLES ±1°

NOTICE - These drawings, specifications, or other data (1) are, and remain the property of Amphenol corp. (2) must be returned upon request; and (3) are confidential and not to be disclosed to any person other than those to whom they are given by Amphenol Corp. the finishing of these drawings, specifications, or other data by Amphenol Corp., or to any other person to anyone for any purpose is not to be regarded by implication or otherwise in any manner licensing, granting rights to permitting such holder or any other person to manufacture, use or sell any product, process or design, patented or otherwise, that may in any way be related to or disclosed by said drawings, specifications, or other data.

MATERIAL	DRAWN J. YANG	DATE 25-Apr-08	TITLE FAKRA SMB R/A PCB MOUNT PLUG	Amphenol RF www.amphenolrf.com	
REFERENCE EAR # 02961 AND	ENGINEER J. YANG	DATE 25-Apr-08			
CONFIGURATION LEVEL:	APPROVED DANIEL.HU	DATE 14-Sep-11	SCALE: 5.0:1.0	SHEET 2 OF 2	DRAWING NO. 2FAI-NXRP-PCB-6
FINISH			DWG SIZE B	REV B	ITEM NO. 2FAI-NXRP-PCB-6
					PART NO. 2FAI-NXRP-PCB-6

Mouser Electronics

Authorized Distributor

Click to View Pricing, Inventory, Delivery & Lifecycle Information:

[Amphenol:](#)

[2FA1-NCRP-PCB-6](#)