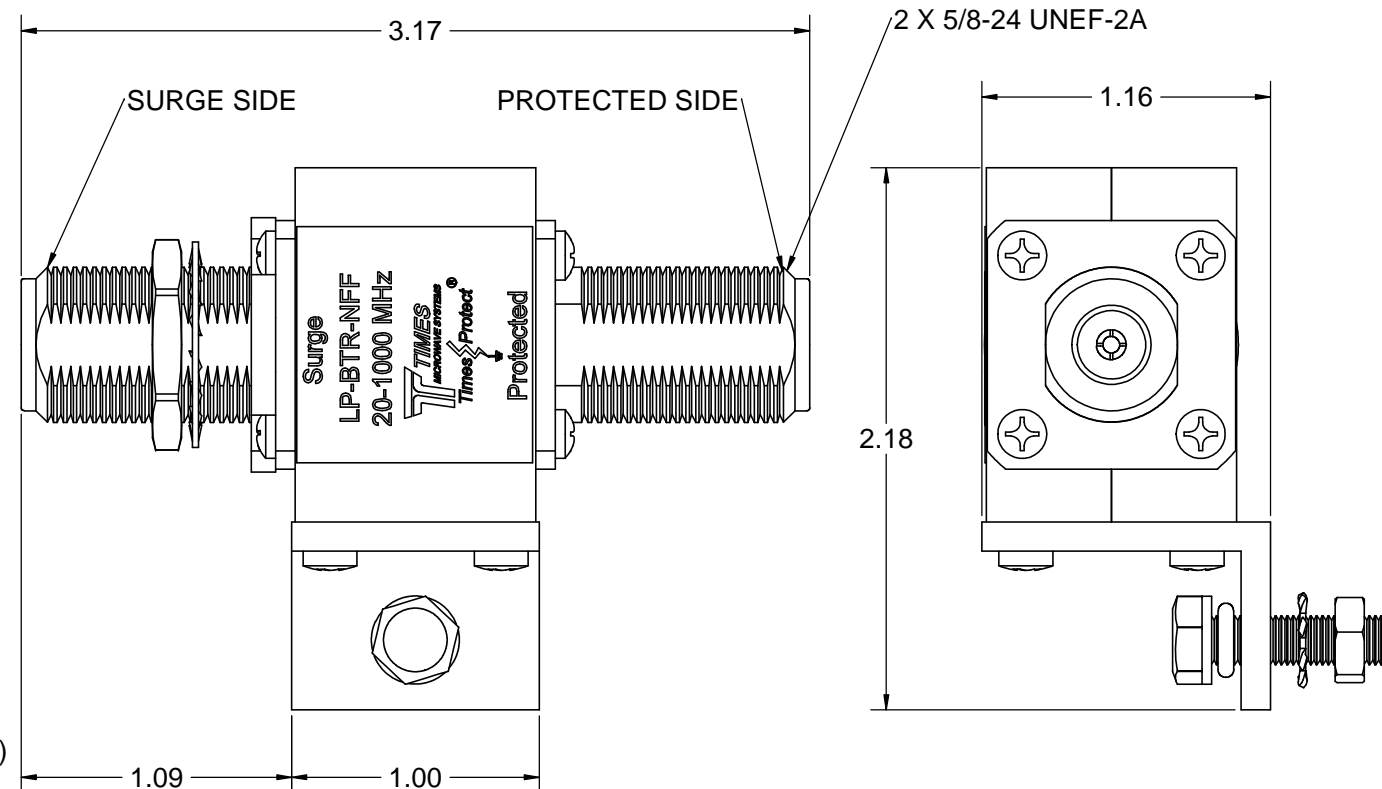
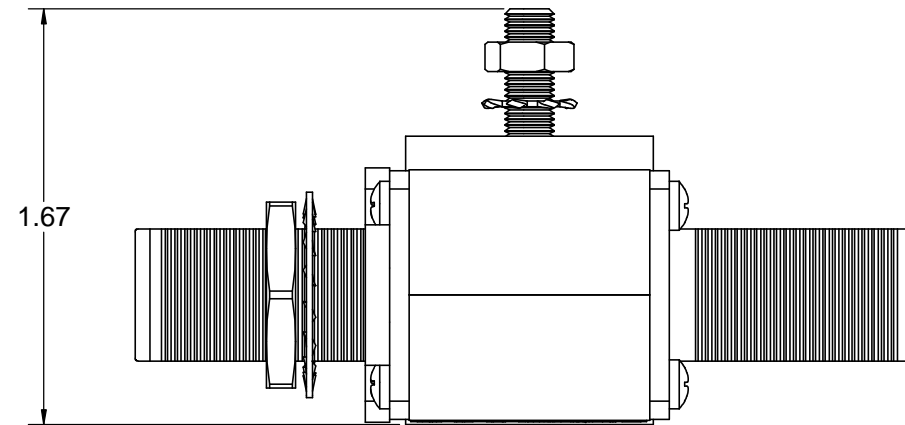
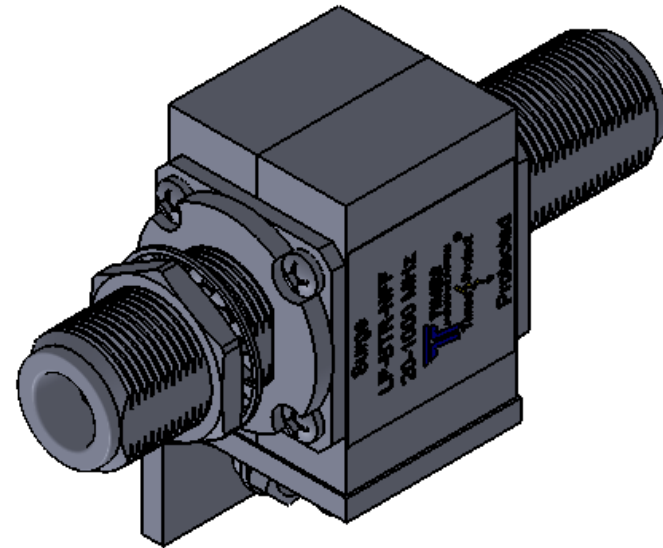


NOTICE OF PROPRIETARY RIGHTS

THIS DOCUMENT CONTAINS CONFIDENTIAL TECHNICAL DATA, INCLUDING TRADE SECRETS, PROPRIETARY TO TIMES MICROWAVE SYSTEMS. DISCLOSURE OF THIS DATA IS EXPRESSLY CONDITIONED UPON YOUR ASSENT THAT ITS USE IS LIMITED TO USE WITHIN YOUR COMPANY ONLY. ANY OTHER USE IS STRICTLY PROHIBITED WITHOUT THE PRIOR WRITTEN CONSENT OF TIMES MICROWAVE SYSTEMS.

REV.	REVISION DESCRIPTION	DFTM	DATE	APPD	DATE
A	RELEASED FOR PRODUCTION	M.E.	03/14/21	M.E.	03/14/21



NOTES:

1. ELECTRICAL PERFORMANCE

IMPEDANCE: 50 OHMS
 OPERATING FREQUENCY: 20-1000 MHz
 VSWR/RETURN LOSS: < 1.1:1 / < -26 dB
 INSERTION LOSS: < 0.1 dB
 TURN ON VOLTAGE: 600 Vdc +/- 20%
 TURN ON TIME: 2.5 ns for 2 kV/ns
 MAX SURGE CURRENT: 10 kA MULTIPLE (8/20 us WAVE-FORM)
 ENERGY THROUGHPUT RATING: < 200 uJ (4kV/2kA 1.2X50/8X20 us WAVE-FORM)
 POWER HANDLING AT FREQUENCY: 375 W (20-220 MHz)
 125 W (220-700 MHz)
 50 W (700-1000 MHz)

PROTECTION CIRCUIT: DC BLOCKED

2. ENVIRONMENTAL CHARACTERISTICS

TEMPERATURE RANGE STORAGE/OPERATING: -40C TO +85C/-40C TO +50C
 WEATHERIZATION: REQUIRED FOR EXTERNAL USE
 VIBRATION: MIL-STD 202, METHOD 204, CONDITION B
 RoHS COMPLIANT

3. MATERIAL AND FINISH

INNER CONNECTOR FEMALE: PHOSPHOR BRONZE, SILVER PLATE
 BODY: BRASS, WHITE BRONZE PLATE
 OUTER CONDUCTOR: BRASS, WHITE BRONZE PLATE
 COUPLING NUT: BRASS, WHITE BRONZE PLATE
 INSULATOR: PTFE

MATERIAL:	
	USED ON ASSY.

DRAFTSMAN	M.ELLIS	03/14/21
CHECKER	M.ELLIS	03/14/21
APPROVED	M.ELLIS	03/14/21

UNLESS OTHERWISE SPECIFIED		
ALL DIMENSIONS ARE IN INCHES		
MACHINED SURFACES FINISH 32 RMS MAX.		
REMOVE ALL BURRS .005 MAX. BREAK		
MACHINE CORNERS .005 MAX. FILLET R.		
TOLERANCES ON DECIMALS		
.XX ± .01	.XXX ± .005	
ANGLES ± 1°	FRACTIONS ± 1/32	
DO NOT SCALE DRAWING		

TIMES MICROWAVE SYSTEMS		
TITLE: SURGE PROTECTOR		
N FEMALE TO N FEMALE		
20-1000 MHz		

DWG. SIZE	DRWG. NO.	REV.
68999	LP-BTR-NFF	A
SCALE: 2:1	SHEET 1 OF 1	

Mouser Electronics

Authorized Distributor

Click to View Pricing, Inventory, Delivery & Lifecycle Information:

[Amphenol:](#)

[LP-BTR-NFF](#)