

FEATURES

16-bit, 14-bit, or 12-bit dual simultaneous sampling SAR ADC

Single-ended analog inputs

4-channel with 2:1 multiplexers

Channel sequencer mode

High throughput rate of up to 4 MSPS

SNR (typical)

87.5 dB (AD7386), $V_{REF} = 3.3$ V external

84 dB (AD7387), $V_{REF} = 3.3$ V external

73.8 dB (AD7388)

93 dB with $OSR = 8$, $V_{REF} = 2.5$ V internal (AD7386)

On-chip oversampling functions

INL (typical)

± 1.5 LSB (AD7386)

± 0.5 LSB (AD7387)

± 0.2 LSB (AD7388)

Resolution boost function

2.5 V internal reference at 10 ppm/°C (maximum)

Alert function

-40°C to +125°C temperature range

16-lead, 3 mm × 3 mm LFCSP

APPLICATIONS

Motor control position feedback

Motor control current sense

Sonars

Power quality

Data acquisition systems

Erbium doped fiber amplifier (EDFA) applications

Inphase and quadrature demodulation

GENERAL DESCRIPTION

The AD7386/AD7387/AD7388 are 16-bit, 14-bit, and 12-bit dual, simultaneous sampling, high speed, successive approximation register (SAR), analog-to-digital converters (ADCs) that operate from a 3.0 V to 3.6 V power supply and feature throughput rates of up to 4 MSPS. The analog input types are single-ended and are sampled and converted on the falling edge of CS.

The AD7386/AD7387/AD7388 have an on-chip sequencer and integrated on-chip oversampling block to improve dynamic range and reduce noise at lower bandwidths. A buffered internal 2.5 V reference is included. Alternatively, an external reference up to 3.3 V can be used. The conversion process and data acquisition use standard control inputs, allowing interfacing to microprocessors or digital signal processors (DSPs). The AD7386 is compatible with 1.8 V, 2.5 V, and 3.3 V interfaces by using the separate logic supply.

The AD7386/AD7387/AD7388 are available in a 16-lead LFCSP with operation specified from -40°C to +125°C.

PRODUCT HIGHLIGHTS

1. 4-channel, dual simultaneous sampling ADC.
2. Pin-compatible product family.
3. High 4 MSPS throughput rate.
4. Space-saving, 3 mm × 3 mm LFCSP.
5. Integrated oversampling block to increase dynamic range and SNR and to reduce SCLK speed requirements.
6. Single-ended analog inputs.
7. Small sampling capacitor reduces amplifier drive burden.

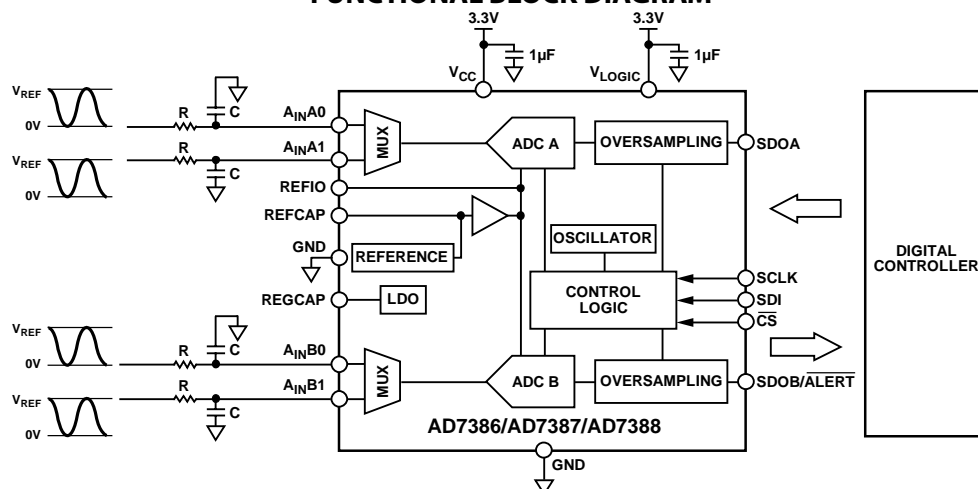
FUNCTIONAL BLOCK DIAGRAM


Figure 1.

Rev. A

[Document Feedback](#)

Information furnished by Analog Devices is believed to be accurate and reliable. However, no responsibility is assumed by Analog Devices for its use, nor for any infringements of patents or other rights of third parties that may result from its use. Specifications subject to change without notice. No license is granted by implication or otherwise under any patent or patent rights of Analog Devices. Trademarks and registered trademarks are the property of their respective owners.

One Technology Way, P.O. Box 9106, Norwood, MA 02062-9106, U.S.A.
Tel: 781.329.4700

©2019 Analog Devices, Inc. All rights reserved.

[Technical Support](#)

www.analog.com

TABLE OF CONTENTS

Features	1	Modes of Operation	20
Applications.....	1	Channel Selection.....	20
General Description	1	Sequencer	20
Product Highlights	1	Oversampling.....	21
Functional Block Diagram	1	Resolution Boost	25
Revision History	3	Alert	25
Specifications.....	4	Power Modes.....	26
AD7386	4	Internal and External References	26
AD7387	5	Software Reset.....	26
AD7388	6	Diagnostic Self Test	26
All Devices.....	7	Interface	27
Timing Specifications	9	Reading Conversion Results	27
Absolute Maximum Ratings.....	11	Low Latency Readback.....	28
Thermal Resistance	11	Reading From Device Registers	29
ESD Caution.....	11	Writing to Device Registers	29
Pin Configuration and Function Descriptions.....	12	Registers.....	32
Typical Performance Characteristics	13	Addressing Registers.....	32
Terminology	16	CONFIGURATION1 Register	33
Theory of Operation	17	CONFIGURATION2 Register	34
Circuit Information.....	17	Alert Register	35
Converter Operation.....	17	ALERT_LOW_THRESHOLD Register	36
Analog Input Structure.....	17	ALERT_HIGH_THRESHOLD Register.....	36
ADC Transfer Function.....	18	Outline Dimensions	37
Applications Information	19	Ordering Guide	37
Power Supply.....	19		

REVISION HISTORY**10/2019—Rev. 0 to Rev. A**

Added AD7387 and AD7388..... Universal	Changes to ADC Transfer Function, Table 9, and Figure 30	18
Changes to Features Section, General Description Section, and Figure 1	Changes to Power Supply Section and Table 10.....	19
Changes to Table 1	Changes to Normal Averaging Oversampling Section and Table 11	21
Added Table 2; Renumbered Sequentially.....	Added Table 12	21
Added Table 3	Changes to Rolling Average Oversampling Section and Table 13	23
Added Table 4	Added Table 14	23
Changes to Table 5	Added Oversampling in Sequencer Mode Section, Figure 35, and Figure 36	24
Changes to Figure 8 Through Figure 10.....	Changes to Resolution Boost Section.....	25
Changes to Figure 11 Caption and Figure 12 Caption.....	Added Figure 39.....	26
Changes to Figure 14 Caption and Figure 15 Caption	Changes to Reading Conversion Results Section, Figure 41, and Table 15	27
Changes to Figure 17, Figure 18, and Figure 19	Changes to Resolution Boost Mode Section.....	28
Changes to Figure 20 Caption Through Figure 22 Caption.....	Changes to Ordering Guide.....	37
Deleted Figure 25; Renumbered Sequentially.....		
Changes to Figure 23 and Figure 24		
Added Figure 25; Renumbered Sequentially		
Changes to Terminology Section.....		
Changes to Circuit Information Section		

8/2019—Revision 0: Initial Version

SPECIFICATIONS

AD7386

$V_{CC} = 3.0\text{ V to }3.6\text{ V}$, $V_{LOGIC} = 1.65\text{ V to }3.6\text{ V}$, reference voltage (V_{REF}) = 2.5 V internal, sampling frequency (f_{SAMPLE}) = 4 MSPS, and $T_A = -40^\circ\text{C to }+125^\circ\text{C}$, no oversampling enabled, unless otherwise noted.

Table 1.

Parameter	Test Conditions/Comments	Min	Typ	Max	Unit
RESOLUTION		16			Bits
THROUGHPUT					
Conversion Rate					
Single Channel Pair				4	MSPS
Alternating Channels	SEQ = 1			2	MSPS
DC ACCURACY					
No Missing Codes		16			Bits
Differential Nonlinearity (DNL)		-1.0	±0.5	+1.0	LSB
Integral Nonlinearity (INL)		-3.5	±1.5	+3.5	LSB
Gain Error		-0.025	±0.006	+0.025	%FS
Gain Error Temperature Drift		-3	±1	+3	ppm/°C
Gain Error Match		-0.025	±0.006	+0.025	%FS
Offset Error		-0.6	±0.1	+0.6	mV
Offset Error Temperature Drift		-3	±1	+3	µV/°C
Offset Error Match		-0.5	0.12	+0.5	mV
AC ACCURACY					
Dynamic Range	Input frequency (f_{IN}) = 1 kHz $V_{REF} = 3.3\text{ V external}$		87.8		dB
Oversampled Dynamic Range	Normal averaging, OSR = 4, RES = 1		86		dB
Signal-to-Noise Ratio (SNR)	$V_{REF} = 3.3\text{ V external}$	85.5	87.5		dB
Spurious-Free Dynamic Range (SFDR)	Rolling averaging, OSR = 8, RES = 1 $f_{IN} = 100\text{ kHz}$	83.5	85.5		dB
Total Harmonic Distortion (THD)	$V_{REF} = 3.3\text{ V external}$		93		dB
Signal-to-Noise-and-Distortion (SINAD)	$f_{IN} = 100\text{ kHz}$ $V_{REF} = 3.3\text{ V}$		85.3		dB
Channel to Channel Isolation			-100		dB
Channel to Channel Memory			-99		dB
Channel to Channel Isolation			-98		dB
Channel to Channel Memory			-96		dB
Channel to Channel Isolation		85	87.4		dB
Channel to Channel Memory		83	85.5		dB
Channel to Channel Isolation			-109.7		dB
Channel to Channel Memory			-93.5		dB
POWER SUPPLIES	Normal mode (operational)				
V_{CC} Current (I_{VCC})			22	26	mA
V_{LOGIC} Current (I_{VLOGIC})	1 kHz sine wave		3.15	3.5	mA
Power Dissipation					
Total Power (P_{TOTAL})			83	107	mW
V_{CC} Power (P_{VCC})			73	94	mW

AD7387

$V_{CC} = 3.0\text{ V to }3.6\text{ V}$, $V_{LOGIC} = 1.65\text{ V to }3.6\text{ V}$, $V_{REF} = 2.5\text{ V internal}$, $f_{SAMPLE} = 4\text{ MSPS}$, and $T_A = -40^\circ\text{C to }+125^\circ\text{C}$, no oversampling enabled, unless otherwise noted.

Table 2.

Parameter	Test Conditions/Comments	Min	Typ	Max	Unit
RESOLUTION		14			Bits
THROUGHPUT					
Conversion Rate					
Single Channel Pair				4	MSPS
Alternating Channels	SEQ = 1			2	MSPS
DC ACCURACY					
No Missing Codes		14			Bits
DNL		-1.0	±0.4	+1.0	LSB
INL		-1.0	±0.5	+1.0	LSB
Gain Error		-0.026	±0.003	+0.026	%FS
Gain Error Temperature Drift		-5	±1	+5	ppm/°C
Gain Error Match		-0.026	±0.006	+0.026	%FS
Offset Error		-3.5	±1	+3.5	LSB
Offset Error Temperature Drift		-5	±1	+5	µV/°C
Offset Error Match	T_{MIN} to T_{MAX}	-3.5	±1	+3.5	LSB
AC ACCURACY					
Dynamic Range	$f_{IN} = 1\text{ kHz}$ $V_{REF} = 3.3\text{ V external}$		84		dB
			83.1		dB
Oversampled Dynamic Range	Normal averaging, OSR = 4, RES = 1		88.7		dB
SNR	$V_{REF} = 3.3\text{ V external}$	83	84		dB
		81.5	83		dB
	Rolling averaging, OSR = 8, RES = 1		90.5		dB
	$f_{IN} = 100\text{ kHz}$		82.7		dB
SFDR			-100		dB
THD	$V_{REF} = 3.3\text{ V}$		-99		dB
			-98		dB
	$f_{IN} = 100\text{ kHz}$		-96.1		dB
SINAD	$V_{REF} = 3.3\text{ V}$	82.5	83.5		dB
		81	82.5		dB
Channel to Channel Isolation			-111.5		dB
Channel to Channel Memory			-93.2		dB
POWER SUPPLIES	Normal mode (operational)				
I_{VCC}			22	26	mA
I_{VLOGIC}	1 kHz sine wave		2.4	3	mA
Power Dissipation					
P_{TOTAL}			81	105	mW
P_{VCC}			73	94	mW

AD7388

$V_{CC} = 3.0\text{ V}$ to 3.6 V , $V_{LOGIC} = 1.65\text{ V}$ to 3.6 V , $V_{REF} = 2.5\text{ V}$ internal, $f_{SAMPLE} = 4\text{ MSPS}$, and $T_A = -40^\circ\text{C}$ to $+125^\circ\text{C}$, no oversampling enabled, unless otherwise noted.

Table 3.

Parameter	Test Conditions/Comments	Min	Typ	Max	Unit
RESOLUTION		12			Bits
THROUGHPUT					
Conversion Rate					
Single Channel Pair				4	MSPS
Alternating Channels	SEQ = 1			2	MSPS
DC ACCURACY					
No Missing Codes		12			Bits
DNL		-0.5	±0.25	+0.5	LSB
INL		-0.5	±0.2	+0.5	LSB
Gain Error		-0.04	±0.01	+0.04	% FS
Gain Error Temperature Drift		-5	±1	+5	ppm/°C
Gain Error Match		-0.05	±0.01	+0.05	% FS
Offset Error		-1.5	±0.75	+1.5	LSB
Offset Error Temperature Drift		-5	±1	+5	µV/°C
Offset Error Match		-1.5	±0.75	+1.5	LSB
AC ACCURACY	$f_{IN} = 1\text{ kHz}$				
Dynamic Range			74		dB
Oversampled Dynamic Range	Normal averaging, OSR = 4, RES = 1		76.6		dB
SNR		73.5	73.8		dB
	Rolling averaging, OSR = 8, RES = 1		80.5		dB
	$f_{IN} = 100\text{ kHz}$		73.7		dB
SFDR			-100		dB
THD	$V_{REF} = 3.3\text{ V}$		-99		dB
			-98		dB
	$f_{IN} = 100\text{ kHz}$		-96.1		dB
SINAD		73.5	73.8		dB
Channel to Channel Isolation			-111.6		dB
Channel to Channel Memory			-93.3		dB
POWER SUPPLIES	Normal mode (operational)				
I_{VCC}			22	26	mA
I_{VLOGIC}	1 kHz sine wave		2.2	2.7	mA
Power Dissipation					
P_{TOTAL}			80	104	mW
P_{VCC}			73	94	mW

ALL DEVICES

Table 4.

Parameter	Test Conditions/Comments	Min	Typ	Max	Unit
ANALOG INPUT					
Voltage Input Range		0		V_{REF}	V
DC Leakage Current			0.1	1	μ A
Input Capacitance	When in track mode		18		pF
	When in hold mode		5		pF
SAMPLING DYNAMICS					
Input Bandwidth	At -0.1 dB		5.3		MHz
	At -3 dB		22		MHz
Aperture Delay			2		ns
Aperture Delay Match			300	450	ps
Aperture Jitter			20		ps
REFERENCE INPUT AND OUTPUT					
V_{REF} Input	External reference				
Voltage Range		2.49		3.4	V
Current			0.47	0.51	mA
V_{REF} Output Voltage	At 25° C	2.498	2.5	2.502	V
	-40° C to $+125^{\circ}$ C	2.496	2.5	2.505	V
V_{REF} Temperature Coefficient			1	10	ppm/ $^{\circ}$ C
V_{REF} Regulation			Line	-38	ppm/V
			Load	-106	ppm/mA
			V_{REF} Noise	7	μ V rms
DIGITAL INPUTS (SCLK, SDI, CS)					
Logic Levels					
Input Voltage				$0.2 \times V_{LOGIC}$	V
Low (V_{IL})					V
High (V_{IH})		$0.8 \times V_{LOGIC}$			V
Input Current					μ A
Low (I_{IL})		-1		$+1$	μ A
High (I_{IH})		-1		$+1$	μ A
DIGITAL OUTPUTS (SDOA, SDOB/ALERT)					
Output Voltage					
Low (V_{OL})	Sink current (I_{SINK}) = 300μ A			0.4	V
High (V_{OH})	Source current (I_{SOURCE}) = -300μ A	$V_{LOGIC} - 0.3$			V
Floating State					
Leakage Current				± 1	μ A
Output Capacitance			10		pF

Parameter	Test Conditions/Comments	Min	Typ	Max	Unit
POWER SUPPLIES					
V_{CC}	External reference = 3.3 V	3.0	3.3	3.6	V
V_{LOGIC}		3.15	3.3	3.6	V
I_{VCC}		1.65		3.6	V
Normal Mode (Static)			2.2	3	mA
Shutdown Mode			100	200	μ A
I_{VLOGIC}					
Normal Mode (Static)			10	200	nA
Shutdown Mode			10	200	nA
Power Dissipation					
P_{VCC}					
Normal Mode (Static)			7.3	10	mW
Shutdown Mode			330	720	μ W
V_{LOGIC} Power (P_{VLOGIC})					
Normal Mode (Static)			33	720	nW
Shutdown Mode			33	720	nW

TIMING SPECIFICATIONS

$V_{CC} = 3.0\text{ V to }3.6\text{ V}$, $V_{LOGIC} = 1.65\text{ V to }3.6\text{ V}$, $V_{REF} = 2.5\text{ V internal}$, and $T_A = -40^\circ\text{C to }+125^\circ\text{C}$, unless otherwise noted. All specifications include a 10 pF load.

Table 5.

Parameter	Min	Typ	Max	Unit	Description
t_{CYC}					Time between conversions
	250			ns	4 MSPS
	500			ns	Alternating conversion channels
t_{SCLKED}	0.8			ns	\overline{CS} falling edge to first SCLK falling edge
t_{SCLK}	12.5			ns	SCLK period
t_{SCLKH}	5			ns	SCLK high time
t_{SCLKL}	5			ns	SCLK low time
t_{CSH}	10			ns	\overline{CS} pulse width
t_{QUIET}	10			ns	Interface quiet time prior to conversion
t_{SDOEN}					\overline{CS} low to SDOA and SDOB/ \overline{ALERT} enabled
			6	ns	$V_{LOGIC} \geq 2.25\text{ V}$
			8	ns	$1.65\text{ V} \leq V_{LOGIC} < 2.3\text{ V}$
t_{SDOH}	2			ns	SCLK rising edge to SDOA and SDOB/ \overline{ALERT} hold time
t_{SDOS}					SCLK rising edge to SDOA and SDOB/ \overline{ALERT} setup time
			6	ns	$V_{LOGIC} \geq 2.25\text{ V}$
			8	ns	$1.65\text{ V} \leq V_{LOGIC} < 2.3\text{ V}$
t_{SDOT}			8	ns	\overline{CS} rising edge to SDOA and SDOB/ \overline{ALERT} high impedance
t_{SDIS}	1			ns	SDI setup time prior to SCLK falling edge
t_{SDIH}	1			ns	SDI hold time after SCLK falling edge
t_{SCLKCS}	0			ns	SCLK rising edge to \overline{CS} rising edge
$t_{CONVERT}$			190	ns	Conversion time
t_{RESET}					Valid time to start conversion after software reset (see Figure 39)
		250		ns	Valid time to start conversion after soft reset
		800		ns	Valid time to start conversion after hard reset
$t_{ACQUIRE}$	110			ns	Acquire time
$t_{POWERUP}$					Supply active to conversion
			5	ms	First conversion allowed
			11	ms	Settled to within 1% with internal reference
			5	ms	Settled to within 1% with external reference
$t_{REGWRITE}$			5	ms	Supply active to register read write access allowed
$t_{STARTUP}$					Exiting power-down mode to conversion (see Figure 40)
			11	ms	Settled to within 1% with internal reference
			10	μs	Settled to within 1% with external reference
$t_{CONVERT0}$	4	7	10	ns	Conversion start time for first sample in normal averaging mode, not shown in Figure 6
$t_{CONVERTx}$					Conversion time for x^{th} sample in normal averaging mode
		$t_{CONVERT0} + (320 \times (x - 1))$		ns	For the AD7386, at 3 MSPS
		$t_{CONVERT0} + (250 \times (x - 1))$		ns	For the AD7387 and the AD7388, at 4 MSPS
t_{ALERTS}			200	ns	Time from \overline{CS} to \overline{ALERT} indication (see Figure 38)
t_{ALERTC}			12	ns	Time from \overline{CS} to \overline{ALERT} clear (see Figure 38)
t_{ALERTS_NOS}			12	ns	Time from internal conversion with exceeded threshold to \overline{ALERT} indication (see Figure 38)

Timing Diagrams

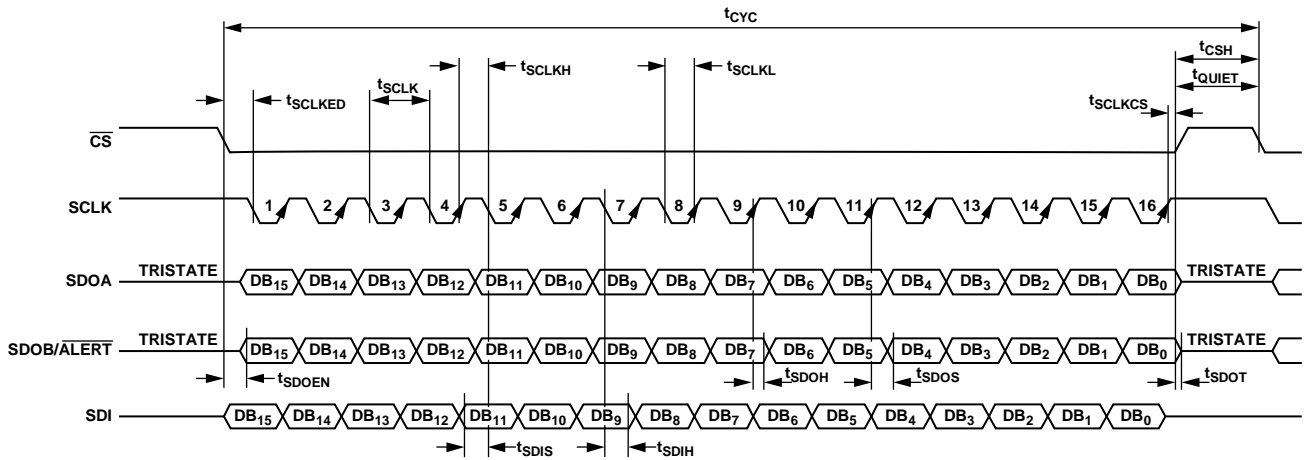


Figure 2. Serial Interface Timing Diagram

20799-002

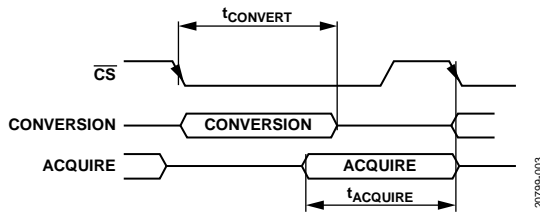


Figure 3. Internal Conversion Acquire Timing

20799-003

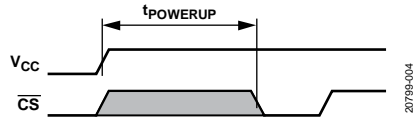


Figure 4. Power-Up Time to Conversion

20799-004

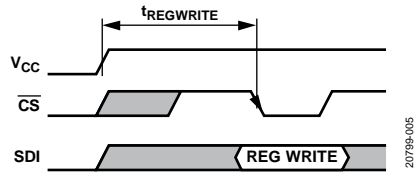
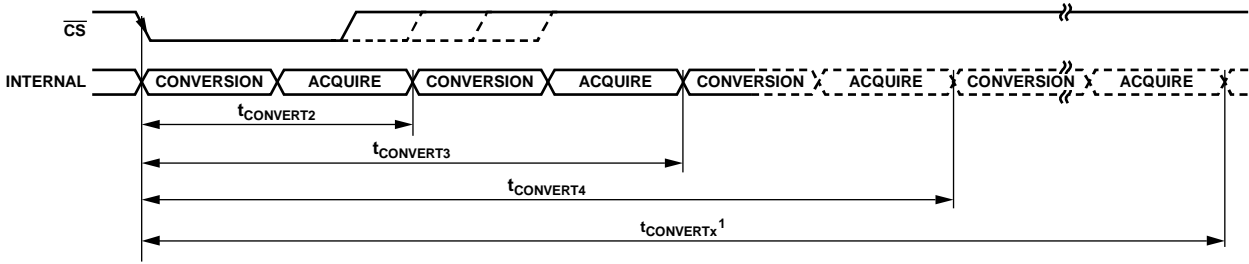


Figure 5. Power-Up Time to Register Read Write Access

20799-005



¹t_{CONVERTx} STANDS FOR t_{CONVERT2}, t_{CONVERT3}, OR t_{CONVERT4}.

Figure 6. Conversion Timing During Normal Averaging Oversampling Mode

20799-007

ABSOLUTE MAXIMUM RATINGS

Table 6.

Parameter	Rating
V_{CC} to GND	−0.3 V to +4 V
V_{LOGIC} to GND	−0.3 V to +4 V
Analog Input Voltage to GND	−0.3 V to $V_{REF} + 0.3$ V, $V_{CC} + 0.3$ V or 4 V
Digital Input Voltage to GND	−0.3 V to $V_{LOGIC} + 0.3$ V or 4 V
Digital Output Voltage to GND	−0.3 V to $V_{LOGIC} + 0.3$ V or 4 V
REFIO Input to GND	−0.3 V to $V_{CC} + 0.3$ V or 4 V
Input Current to Any Pin Except Supplies	±10 mA
Temperature	
Operating Range	−40°C to +125°C
Storage Range	−65°C to +150°C
Junction	150°C
Pb-Free Soldering Reflow	260°C
Electrostatic Discharge (ESD) Ratings	
Human Body Model (HBM)	4 kV
Field Induced Charge Device Model (FICDM)	1.25 kV

Stresses at or above those listed under Absolute Maximum Ratings may cause permanent damage to the product. This is a stress rating only; functional operation of the product at these or any other conditions above those indicated in the operational section of this specification is not implied. Operation beyond the maximum operating conditions for extended periods may affect product reliability.

THERMAL RESISTANCE

Thermal performance is directly linked to printed circuit board (PCB) design and operating environment. Careful attention to PCB thermal design is required.

θ_{JA} is the natural convection junction to ambient thermal resistance measured in a one cubic foot sealed enclosure. θ_{JC} is the junction to case thermal resistance.

Table 7. Thermal Resistance

Package Type	θ_{JA}	θ_{JC}	Unit
CP-16-45 ¹	55.4	12.7	°C/W

¹ Test Condition 1: thermal impedance simulated values are based on JEDEC 252P thermal test board with four thermal vias. See JEDEC JESD51.

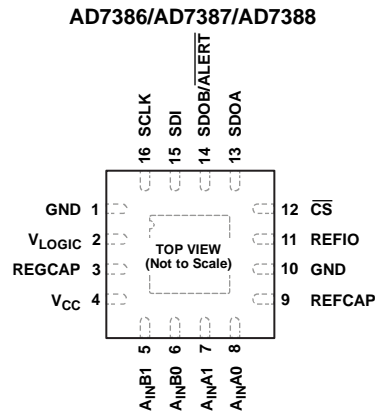
ESD CAUTION



ESD (electrostatic discharge) sensitive device.

Charged devices and circuit boards can discharge without detection. Although this product features patented or proprietary protection circuitry, damage may occur on devices subjected to high energy ESD. Therefore, proper ESD precautions should be taken to avoid performance degradation or loss of functionality.

PIN CONFIGURATION AND FUNCTION DESCRIPTIONS



NOTES

- EXPOSED PAD. FOR CORRECT OPERATION OF THE DEVICE, THE EXPOSED PAD MUST BE CONNECTED TO GND.

20799-009

Figure 7. Pin Configuration

Table 8. Pin Function Descriptions

Pin No.	Mnemonic	Description
1, 10	GND	Ground Reference Point. These pins are the ground reference points for all circuitry on the device.
2	V _{LOGIC}	Logic Interface Supply Voltage, 1.65 V to 3.6 V. Decouple this pin to GND with a 1 μ F capacitor.
3	REGCAP	Decoupling Capacitor Pin for Voltage Output from Internal Regulator. Decouple this pin to GND with a 1 μ F capacitor. The voltage at this pin is 1.9 V typical.
4	V _{CC}	Power Supply Input Voltage, 3.0 V to 3.6 V. Decouple this pin to GND using a 1 μ F capacitor.
5, 6	A _{INB1} , A _{INB0}	Analog Inputs of ADC B.
7, 8	A _{INA1} , A _{INA0}	Analog Inputs of ADC A.
9	REFCAP	Decoupling Capacitor Pin for Band Gap Reference. Decouple this pin to GND with a 0.1 μ F capacitor. The voltage at this pin is 2.5 V typical. If the device is configured for external reference operation, the 0.1 μ F capacitor is not required.
11	REFIO	Reference Input/Output. The on-chip reference of 2.5 V is available as an output on this pin for external use if the device is configured accordingly. Alternatively, an external reference of 2.5 V to 3.3 V can be input to this pin. The REFSEL bit in the CONFIGURATION1 register must be set correctly when choosing the reference voltage source. Decoupling is required on this pin for both the internal and external reference options. A 1 μ F capacitor must be applied from this pin to GND.
12	$\overline{\text{CS}}$	Chip Select Input. Active low, logic input. This input provides the dual function of initiating conversions and framing the serial data transfer.
13	SDOA	Serial Data Output A. This pin functions as a serial data output pin to access the ADC A or ADC B conversion results or data from any of the on-chip registers.
14	SDOB/ $\overline{\text{ALERT}}$	Serial Data Output B (SDOB). This pin functions as a serial data output pin to access the ADC B conversion results. Alert Indication Output ($\overline{\text{ALERT}}$). This pin operates as an alert pin going low to indicate that a conversion result has exceeded a configured threshold.
15	SDI	Serial Data Input. This input provides the data written to the on-chip control registers.
16	SCLK	Serial Clock Input. This serial clock input is for data transfers to and from the ADC.
Not Applicable	EPAD	Exposed Pad. For correct operation of the device, the exposed pad must to connected to GND.

TYPICAL PERFORMANCE CHARACTERISTICS

$V_{REF} = 2.5\text{ V}$ internal, $V_{CC} = 3.6\text{ V}$, $V_{LOGIC} = 3.3\text{ V}$, $f_{SAMPLE} = 4\text{ MSPS}$, $f_{IN} = 1\text{ kHz}$, and $T_A = 25^\circ\text{C}$, unless otherwise noted.

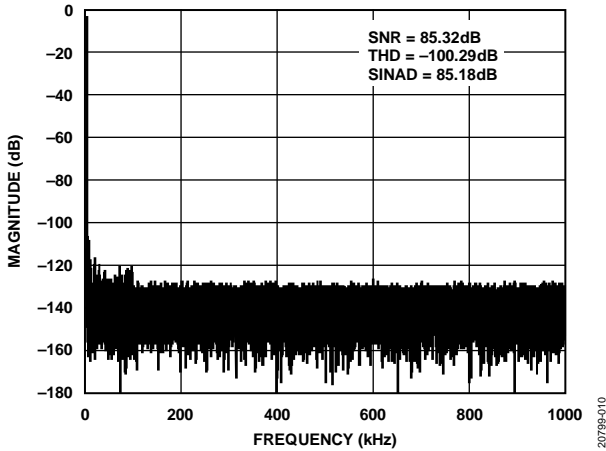


Figure 8. AD7386 Fast Fourier Transform (FFT), $V_{REF} = 2.5\text{ V}$ Internal

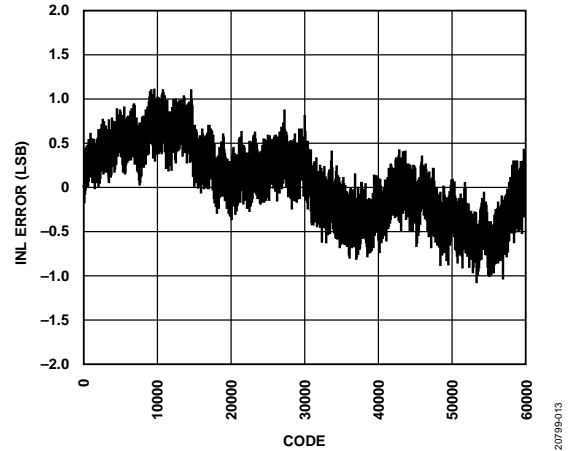


Figure 11. AD7386 Integral Nonlinearity (INL) Error

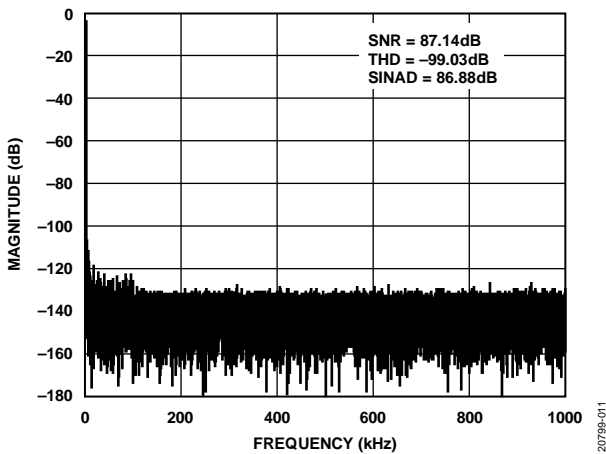


Figure 9. AD7386 FFT, $V_{REF} = 3.3\text{ V}$ External

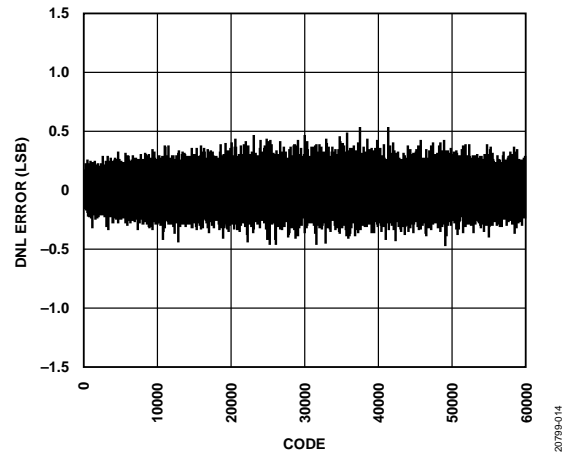


Figure 12. AD7386 Differential Nonlinearity (DNL) Error

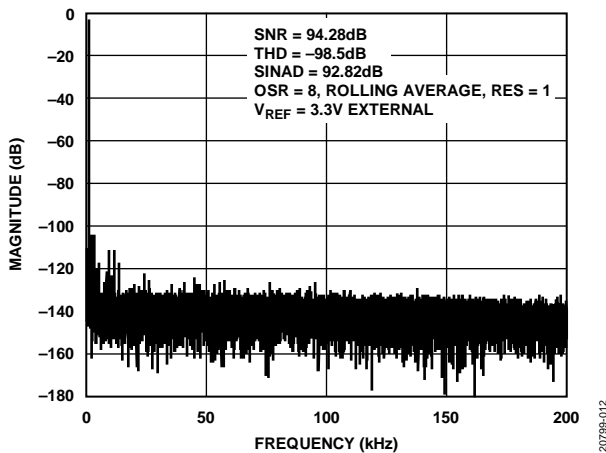


Figure 10. AD7386 FFT with Oversampling

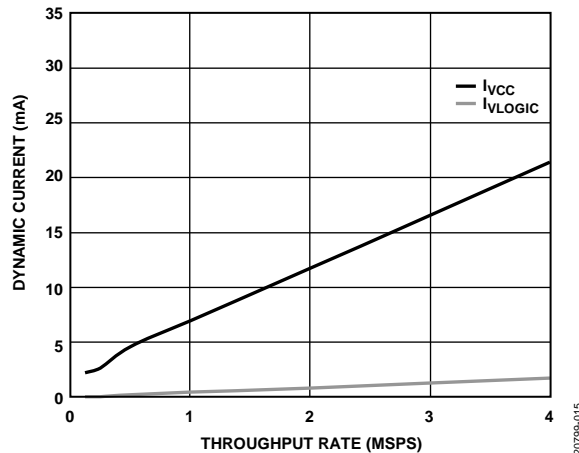


Figure 13. Dynamic Current vs. Throughput Rate

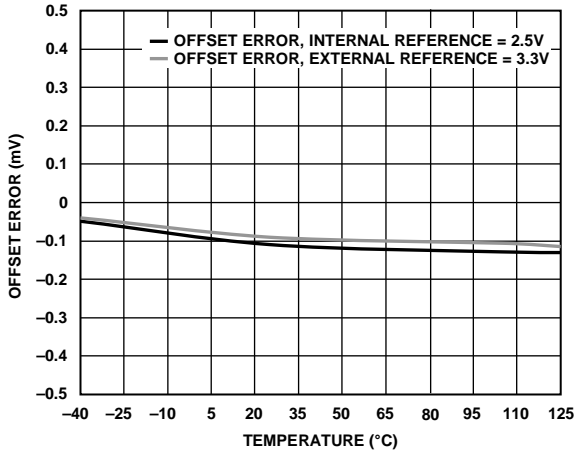


Figure 14. AD7386 Offset Error vs. Temperature

20799-016

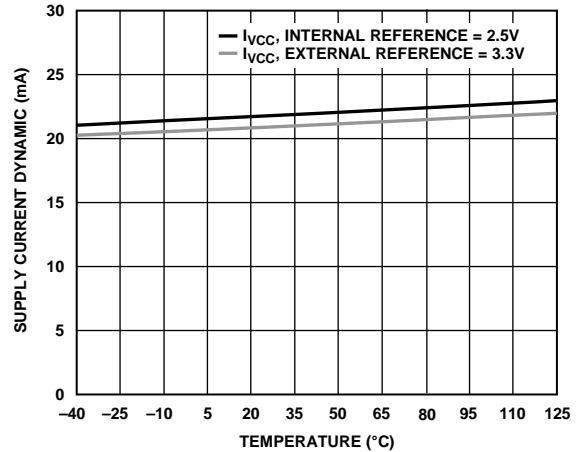


Figure 17. Supply Current Dynamic vs. Temperature

20799-019

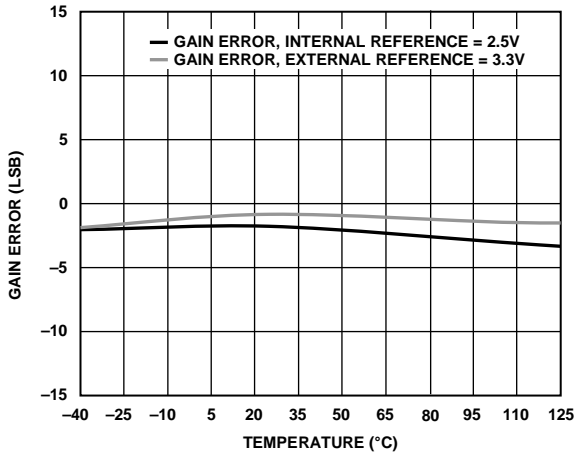


Figure 15. AD7386 Gain Error vs. Temperature

20799-017

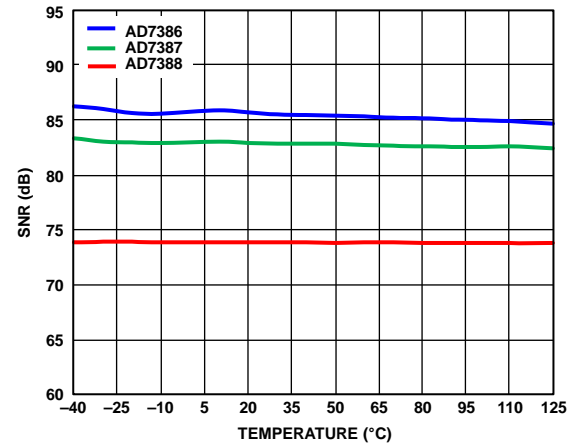


Figure 18. SNR vs. Temperature

20799-118

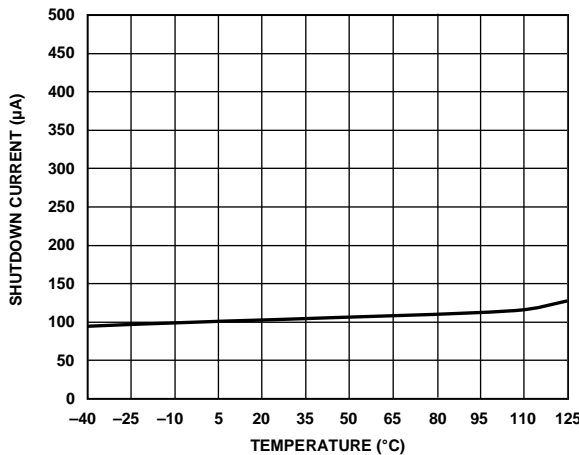


Figure 16. Shutdown Current vs. Temperature

20799-018

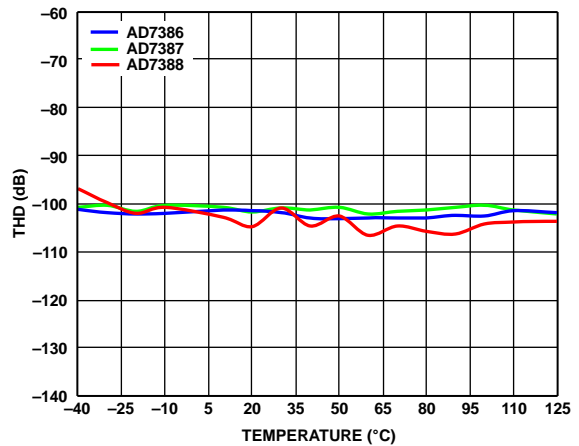


Figure 19. THD vs. Temperature

20799-119

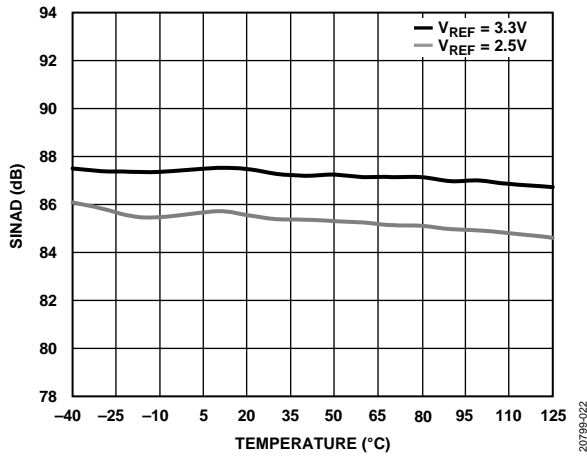


Figure 20. AD7386 SINAD vs. Temperature

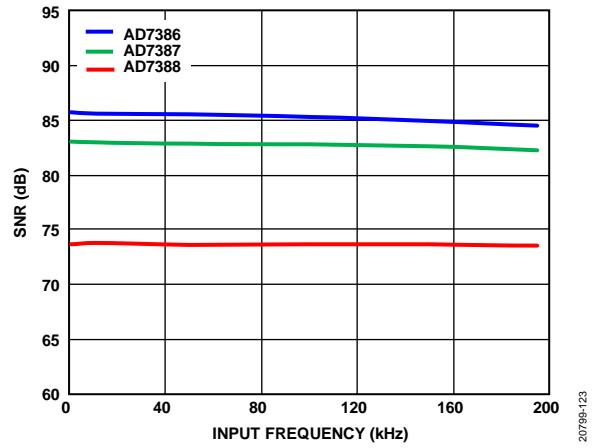


Figure 23. SNR vs. Input Frequency

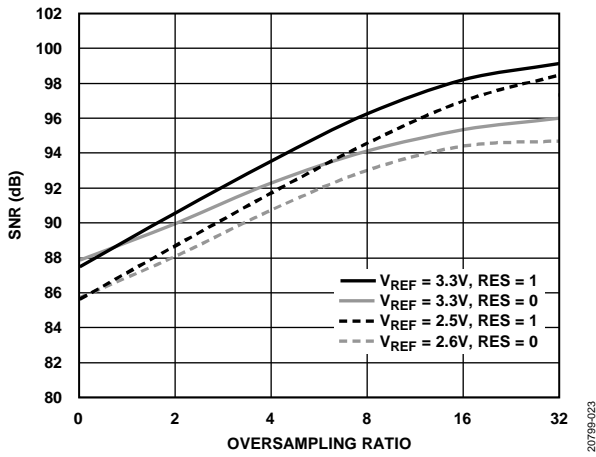


Figure 21. AD7386 SNR at Normal Oversampling

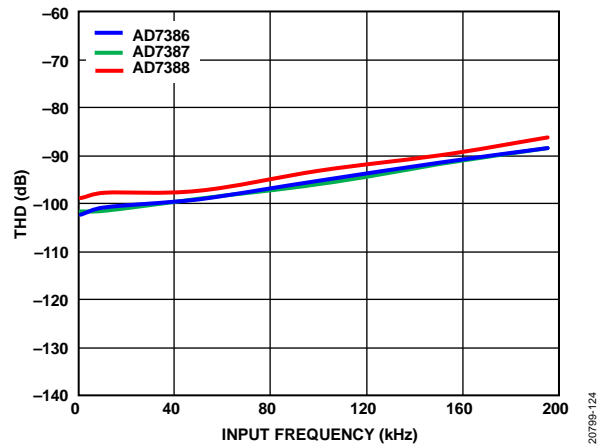


Figure 24. THD vs. Input Frequency

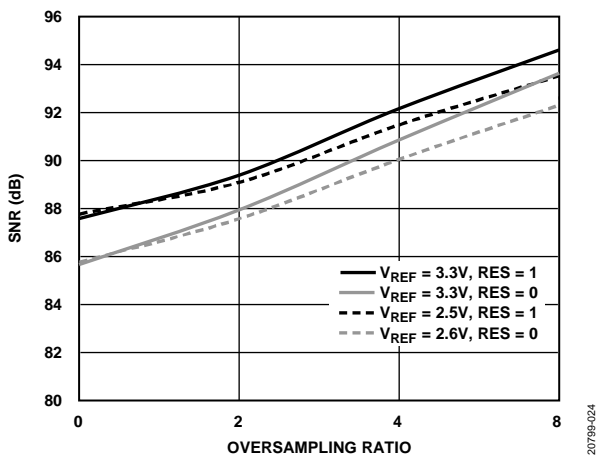


Figure 22. AD7386 SNR at Rolling Average Oversampling

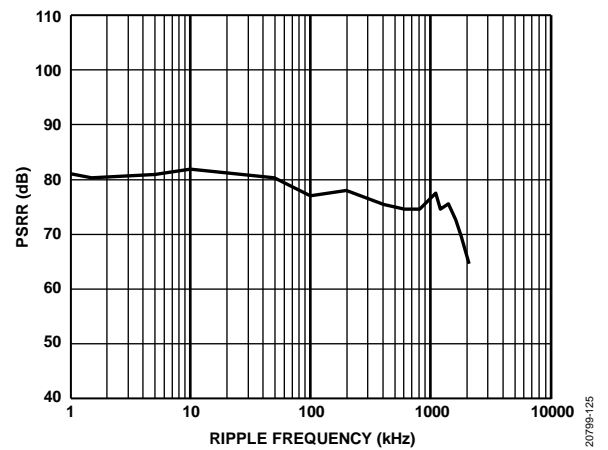


Figure 25. PSRR vs. Ripple Frequency

TERMINOLOGY

Differential Nonlinearity (DNL)

In an ideal ADC, code transitions are 1 LSB apart. DNL is the maximum deviation from this ideal value. It is often specified in terms of resolution for which no missing codes are guaranteed.

Integral Nonlinearity (INL)

INL is the deviation of each individual code from a line drawn from negative full scale through positive full scale. The point used as negative full scale occurs ½ LSB before the first code transition. Positive full scale is defined as a level 1½ LSB beyond the last code transition. The deviation is measured from the middle of each code to the true straight line.

Gain Error

The first transition (from 000...000 to 000...001) must occur at a level ½ LSB above nominal negative full scale. The last transition (from 111...110 to 111...111) occurs for an analog voltage 1½ LSB below the nominal full scale. The gain error is the deviation of the difference between the actual level of the last transition and the actual level of the first transition from the difference between the ideal levels.

Gain Error Temperature Drift

The gain error change due to a temperature change of 1°C.

Gain Error Match

Gain error match is the difference in negative full-scale error between the input channels and the difference in positive full-scale error between the input channels.

Offset Error

The first transition must occur at a level ½ LSB above analog ground. The offset error is the deviation of the actual transition from that point.

Offset Error Temperature Drift

The zero error change due to a temperature change of 1°C.

Signal-to-Noise Ratio (SNR)

SNR is the ratio of the rms value of the actual input signal to the rms sum of all other spectral components below the Nyquist frequency, excluding harmonics and dc. The value for SNR is expressed in decibels.

Spurious-Free Dynamic Range (SFDR)

SFDR is the difference, in decibels (dB), between the rms amplitude of the input signal and the peak spurious signal.

Total Harmonic Distortion (THD)

THD is the ratio of the rms sum of the first five harmonic components to the rms value of a full-scale input signal and is expressed in decibels.

Signal-to-Noise-and-Distortion (SINAD)

SINAD is the ratio of the rms value of the actual input signal to the rms sum of all other spectral components that are less than the Nyquist frequency, including harmonics but excluding dc. The value for SINAD is expressed in decibels.

Channel to Channel Memory

Channel to channel memory is a measure of the level of crosstalk between channels in sequencer mode. It is measured by applying a full-scale signal of a specific frequency in one analog input channel of the ADC and determining how much that signal is attenuated in the alternate ADC channel, when a full-scale signal of different frequency is applied. The figure given is the typical value in decibels and is measured for both ADC A and ADC B.

Power Supply Rejection Ratio (PSRR)

Variations in power supply affects the full-scale transition but not the linearity of the converter. Power supply rejection is the maximum change in the full-scale transition point due to the change in the power supply voltage from the nominal value. PSRR is the ratio of power in the ADC output at full-scale frequency, f , to the power of a 100 mV p-p sine wave applied to the V_{CC} supply of the ADC of the f_s frequency.

$$PSRR \text{ (dB)} = 10\log(P_f/P_{f_s})$$

where:

P_f is equal to the power at f in the ADC output.

P_{f_s} is equal to the power at f_s coupled onto the V_{CC} supply.

Aperture Delay

Aperture delay is the measure of the acquisition performance and is the time between the falling edge of the CS input and when the input signal is held for a conversion.

Aperture Jitter

Aperture jitter is the variation in aperture delay.

THEORY OF OPERATION

CIRCUIT INFORMATION

The AD7386/AD7387/AD7388 are high speed, 4-channel, dual, simultaneous sampling, single-ended, 16-bit/14-bit/12-bit SAR ADCs. The devices operate from a 3.3 V power supply and features throughput rates of up to 4 MSPS.

The AD7386/AD7387/AD7388 contain two SAR ADCs, a multiplexer, a sequencer, and a serial interface with two separate data output pins. The devices are housed in a 16-lead LFCSP package, offering the user considerable space-saving advantages over alternative solutions.

Data is accessed from the device via the serial interface. The interface can operate with two or one serial output(s). The AD7386/AD7387/AD7388 have an on-chip, 2.5 V internal reference, V_{REF} . If an external reference is desired, the internal reference buffer can be disabled and a reference value ranging from 2.5 V to 3.3 V can be supplied. If the internal reference is used elsewhere in the system, the reference output must be buffered. The analog input range for the AD7386/AD7387/AD7388 is 0 V to V_{REF} .

The AD7386/AD7387/AD7388 feature an on-chip oversampling block to improve performance. Normal averaging and rolling average oversampling modes are available. Power-down options to allow power saving between conversions are available. Configuration of the device is implemented via the standard serial interface. See the Interface section for more information.

CONVERTER OPERATION

The AD7386/AD7387/AD7388 have two SAR ADCs, each based around two capacitive DACs. Figure 26 and Figure 27 show simplified schematics of one of these ADCs in acquisition and conversion phases, respectively. The ADC comprises control logic, an SAR, and two capacitive DACs. In Figure 26 (the acquisition phase), SW2 is closed and SW1 is in Position A, the comparator is held in a balanced condition, and the sampling capacitor array acquires the signal on the input.

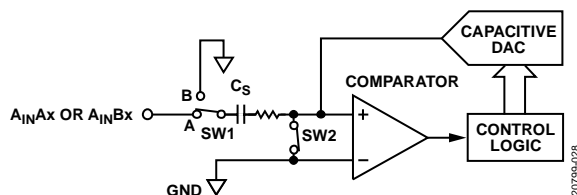


Figure 26. ADC Acquisition Phase

When the ADC starts a conversion (see Figure 27), SW2 opens and SW1 moves to Position B, causing the comparator to become unbalanced. The control logic and the charge redistribution DAC are used to add and subtract fixed amounts of charge from the capacitive DAC to bring the comparator back into a balanced condition. When the comparator is rebalanced, the conversion is complete. The control logic generates the ADC output code.

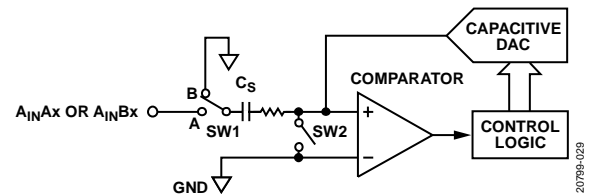


Figure 27. ADC Conversion Phase

ANALOG INPUT STRUCTURE

Figure 28 shows the equivalent circuit of the analog input structure of the AD7386/AD7387/AD7388. The two diodes provide ESD protection for the analog inputs. Care must be taken to ensure that the analog input signals never exceed the supply rails by more than 300 mV. Exceeding the limit causes these diodes to become forward-biased and start conducting into the substrate. These diodes can conduct up to 10 mA without causing irreversible damage to the device.

The C1 capacitor in Figure 28 is typically 3 pF and can primarily be attributed to pin capacitance. The R1 resistor is a lumped component made up of the on resistance of the switches. The value of these resistors is typically about 200 Ω . The C2 capacitor is the sampling capacitor of the ADC with a capacitance of 15 pF, typically.

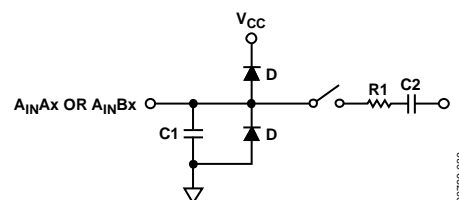


Figure 28. Equivalent Analog Input Circuit, Conversion Phase = Switch Open, Track Phase = Switch Closed

ADC TRANSFER FUNCTION

The AD7386/AD7387/AD7388 use a 2.5 V to 3.3 V reference. The AD7386/AD7387/AD7388 convert the voltage of the analog inputs ($A_{IN}A0$ and $A_{IN}A1$, $A_{IN}B0$ and $A_{IN}B1$) into a digital output.

The conversion result is MSB first, straight binary. The LSB size is $(V_{REF})/2^N$, where N is the ADC resolution. The ADC resolution is determined by the resolution of the device chosen and if resolution boost mode is enabled. Table 9 outlines the LSB size expressed in microvolts for different resolutions and reference voltages options.

The ideal transfer characteristic of the AD7386/AD7387/AD7388 is shown in Figure 29.

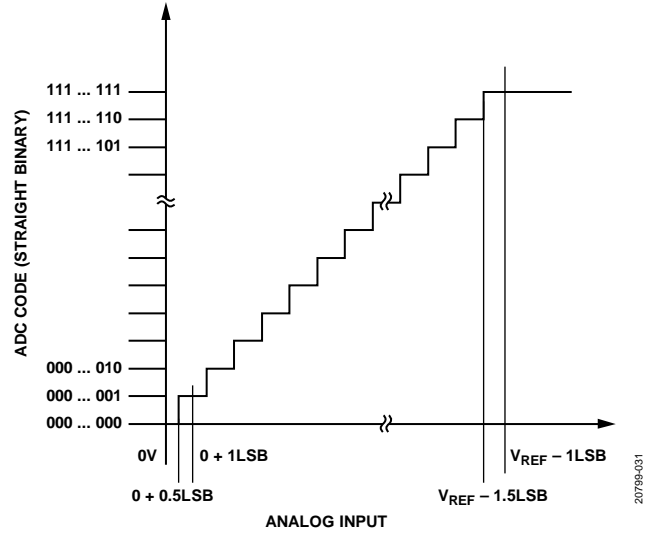


Figure 29. ADC Ideal Transfer Function

Table 9. LSB Size

Resolution	2.5 V Reference (μV)	3.3 V Reference (μV)
12 Bits	610.3	805.7
14 Bits	152.6	201.4
16 Bits	38.1	50.4
18 Bits	9.55	12.6

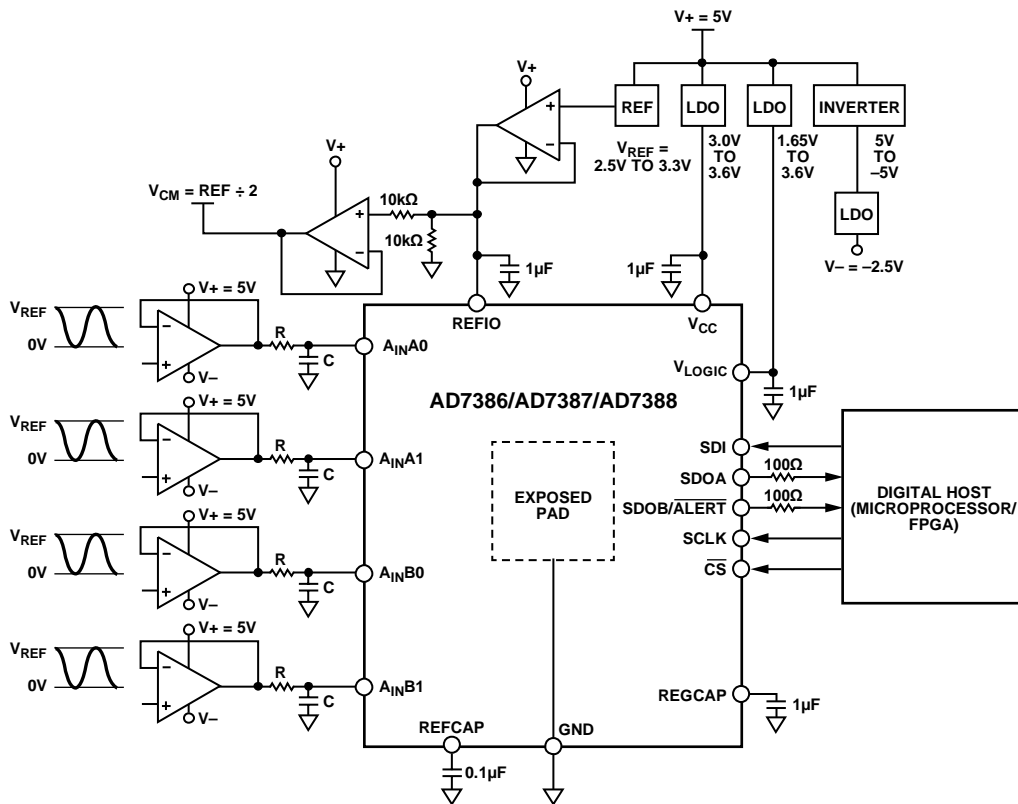


Figure 30. Typical Application Circuit (See the Power Supply Section for Additional Information on V+ and V-)

APPLICATIONS INFORMATION

Figure 30 shows an example of a complete signal chain connection diagram for the AD7386/AD7387/AD7388. Decouple the V_{CC} , V_{LOGIC} , REGCAP, and REFIO pins with suitable decoupling capacitors, as shown in Figure 30.

The exposed pad is a ground reference point for circuitry on the device and must be connected to the board ground.

A differential RC filter must be placed on the analog inputs to ensure performance is achieved. For a typical application, the recommended resistor is $R = 33 \Omega$, and $C = 330 \text{ pF}$.

The performance of the AD7386/AD7387/AD7388 can be impacted by noise on the digital interface. This impact is dependent on board layout and design. Keep a minimal distance of the digital line to the digital interface or place a 100Ω resistor in series and close to the SDOA pin and SDOB/ALERT pin to reduce noise from digital interface coupling of the AD7386/AD7387/AD7388.

Each of the single-ended analog inputs of the AD7386/AD7387/AD7388 can accept a voltage from 0 V to V_{REF} and can easily be driven by an amplifier for optimum performance. Table 10 shows the recommended components for the complete signal chain solution that can best fit the application for the AD7386/AD7387/AD7388.

The AD7386/AD7387/AD7388 have an internal 2.5 V reference and can use an ultralow noise, high accuracy voltage reference ranging from 2.5 V to 3.3 V, such as the ADR4525 or ADR4533, as an external voltage source.

POWER SUPPLY

The typical application circuit in Figure 30 can be powered by a single 5 V (V_+) voltage source that supplies the whole signal chain. The 5 V supply can come from a low noise, complementary metal-oxide semiconductor (CMOS) low dropout (LDO) regulator (for example, the ADP7105). The driver amplifier supply is provided by +5 V (V_+) and -2.5 V (V_-), which is derived from the inverter (for example, the ADM660). The inverter then converts +5 V to -5 V and supplies this voltage to the ADP7182 low noise voltage regulator to output -2.5 V.

The two independent supplies of the AD7386/AD7387/AD7388, V_{CC} and V_{LOGIC} , that supply the analog circuitry and digital interface, respectively, can be supplied by a low quiescent current LDO regulator like the ADP166. The ADP166 is a suitable supply with a fixed output voltage range from 1.2 V to 3.3 V for typical V_{CC} and V_{LOGIC} levels. Decouple both the V_{CC} supply and the V_{LOGIC} supply separately with a $1 \mu\text{F}$ capacitor. Additionally, there is an internal LDO regulator to supply the AD7386/AD7387/AD7388. The on-chip regulator provides a 1.9 V supply for internal use on the device only. Decouple the REGCAP pin with a $1 \mu\text{F}$ capacitor to GND.

Power-Up

The AD7386/AD7387/AD7388 are robust to power supply sequencing. V_{CC} and V_{LOGIC} can be applied in any sequence. An external reference must be applied after V_{CC} and V_{LOGIC} are applied. Analog and digital signals must be applied after the external reference is applied.

The AD7386/AD7387/AD7388 require a $t_{POWERUP}$ time from applying V_{CC} and V_{LOGIC} until the ADC conversion results are stable. Applying CS pulses or interfacing with the AD7386/AD7387/AD7388 prior to the setup time elapsing does not have a negative impact on ADC operation.

Table 10. Signal Chain Components

Companion Devices	Device Name	Description	Typical Application
ADC Driver	ADA4896-2	1 nV/ $\sqrt{\text{Hz}}$, rail-to-rail output amplifier	Precision, low noise, high frequency
	ADA4807-2	1 mA, rail-to-rail output amplifier	Precision, low power, high frequency
External Reference	ADR4525	Ultralow noise, high accuracy 2.5 V voltage reference	2.5 V reference voltage
	ADR4533	Ultralow noise, high accuracy 3.3 V voltage reference	3.3 V reference voltage
LDO	ADP166	Very low quiescent, 150 mA, LDO regulator	3.0 V to 3.6 V supply for V_{CC} and V_{LOGIC}
	ADP7104	Low noise, CMOS LDO regulator	5 V supply for driver amplifier
	ADP7182	Low noise line regulator	-2.5 V supply for driver amplifier

MODES OF OPERATION

The AD7386/AD7387/AD7388 have several on-chip configuration registers for controlling the operational mode of the device.

CHANNEL SELECTION

The ADC channel pairs for conversion ($A_{IN}A_0/A_{IN}B_0$ and $A_{IN}A_1/A_{IN}B_1$) are selected by setting the CH bit in the CONFIGURATION1 register. If the CH bit is set to 0, the $A_{IN}A_0$ and $A_{IN}B_0$ channels simultaneously convert. Alternatively, if the CH bit is set to 1, the $A_{IN}A_1$ and $A_{IN}B_1$ channels are selected for simultaneous conversion.

If the channel to convert is changing, the ADC requires additional settling time. The maximum throughput rate when changing between the $A_{IN}X_0$ and $A_{IN}X_1$ channels is 2 MSPS.

SEQUENCER

The AD7386/AD7387/AD7388 can be configured to automatically cycle through the $A_{IN}X_0$ and $A_{IN}X_1$ channels using the on-chip sequencer.

The sequencer is controlled via the SEQ bit in the CONFIGURATION1 register. If the SEQ bit is set to 0, the sequencer is disabled. If SEQ is set to 1, the sequencer is enabled. The CH bit is not queried for the sequencer mode. The sequencer always starts at the $A_{IN}X_0$ channels and then moves to the $A_{IN}X_1$ channels. After converting the $A_{IN}X_1$ channel, the sequencer loops back to the $A_{IN}X_0$ channels and the sequence restarts.

If the channel to convert is changing, the ADC requires additional settling time. The maximum throughput rate when changing between $A_{IN}X_0$ and $A_{IN}X_1$ channels is 2 MSPS.

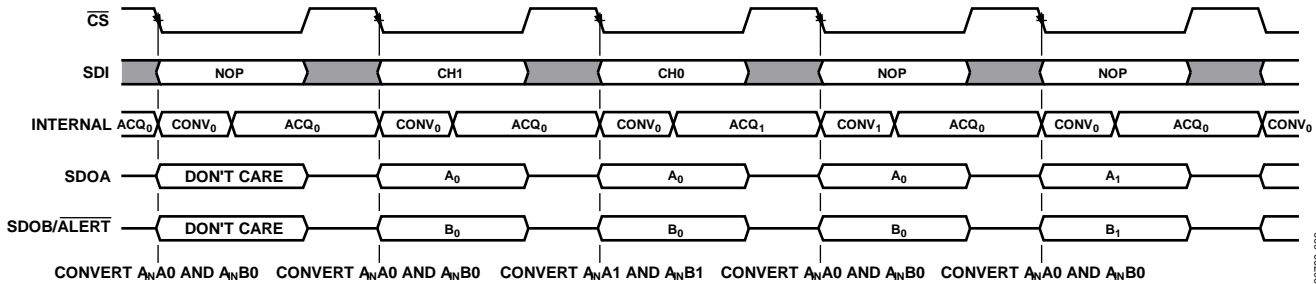


Figure 31. Manual Channel Selection Setup

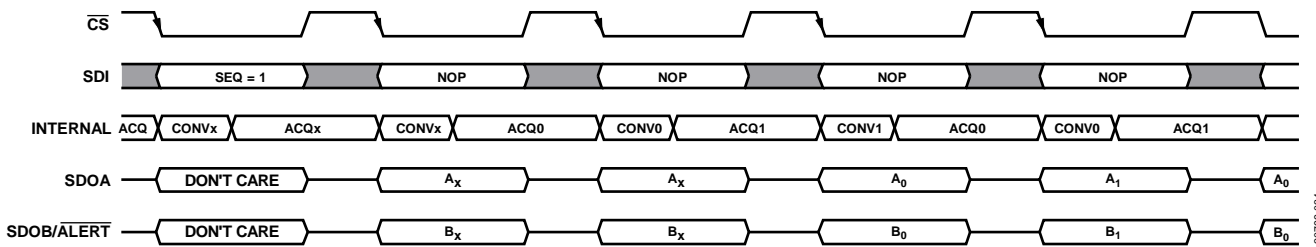


Figure 32. Channel Sequencer Setup

OVERSAMPLING

Oversampling is a common method used in analog electronics to improve the accuracy of the ADC result. Multiple samples of the analog input are captured and averaged to reduce the noise component from quantization noise and thermal noise (kTC) of the ADC. The AD7386/AD7387/AD7388 offer an oversampling function on chip and has two user configurable oversampling modes, normal averaging and rolling average.

The oversampling functionality is configured by programming the OS_MODE bit and the OSR bits in the CONFIGURATION1 register.

Normal Average Oversampling

Normal average oversampling mode can be used in applications where slower output data rates are allowable and where higher SNR or dynamic range is desirable. Normal average oversampling involves taking a number of samples, adding them together, and dividing the result by the number of samples taken. This result is then output from the device. The sample data is cleared when the process is completed.

Normal average oversampling mode is configured by setting the OS_MODE bit to Logic 0 and having a valid nonzero value in the OSR bits. Writing to the OSR bits has a two-cycle latency before the register updates. The oversampling ratio of the digital filter is controlled using the oversampling bits, OSR.

Table 11 and Table 12 provide the oversampling bit decoding to select the different oversampling rates. The output result is decimated to a 16-bit resolution for the AD7386, 14-bit resolution for the AD7387, and 12-bit resolution for the AD7388. If additional resolution is required, configure the RES bit in the CONFIGURATION1 register. See the Resolution Boost section for further details.

The number of samples, n , defined by the OSR bits are taken, added together, and the result is divided by n . The initial ADC conversion is initiated by the falling edge of CS and the AD7386/AD7387/AD7388 control all subsequent samples in the oversampling sequence internally. The sampling rate of the additional n samples is at the device maximum sampling rate, 3 MSPS for the AD7386 and 4 MSPS for the AD7387 and the AD7388 in normal average oversampling mode. The data is ready for readback on the next serial interface access. After the technique is applied, the sample data used in the calculation is discarded. This process is repeated every time the application needs a new conversion result and is initiated by the next falling edge of CS.

As the output data rate is reduced by the oversampling ratio, the serial peripheral interface (SPI) SCLK frequency required to transmit the data is also reduced accordingly.

Table 11. Normal Average Oversampling Overview for the AD7386

Oversampling Ratio	Throughput Rate (kSPS Maximum)	SNR (dB Typical)			
		V _{REF} = 2.5 V		V _{REF} = 3.3 V	
		RES = 0	RES = 1	RES = 0	RES = 1
Disabled	4000	85	85	87	87
2	1500	88	88.7	90	90.6
4	750	90.7	91.7	92.3	93.5
8	375	93	94.6	94	96.3
16	187.5	94.4	97	95	98.2
32	93.75	94.7	98.5	96	99.1

Table 12. Normal Average Oversampling Overview for the AD7387 and for the AD7388

Oversampling Ratio	AD7387			AD7388		
	SNR (dB Typical), V _{REF} = 2.5 V		Throughput Rate (kSPS Maximum)	SNR (dB Typical), V _{REF} = 2.5V		Throughput Rate (kSPS Maximum)
	RES = 0	RES = 1		RES = 0	RES = 1	
Disabled	83	83	4000	73.6	73.6	4000
2	83.5	86	2000	73.25	76.5	2000
4	84.4	88.8	1000	73.4	79.5	1000
8	85.1	91.1	500	73.5	81.3	500
16	85.5	93.1	250	73.7	83.0	250
32	85.7	94.1	125	73.8	84.2	125

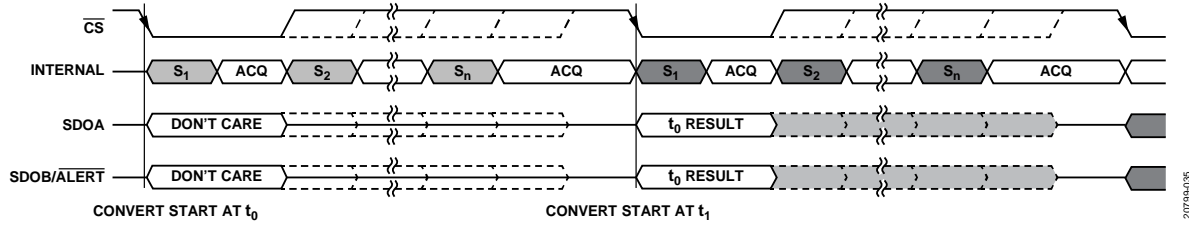


Figure 33. Normal Averaging Oversampling Operation

20799-005

Rolling Average Oversampling

Rolling average oversampling mode can be used in applications where higher output data rates are required and where higher SNR or dynamic range is desirable. Rolling average oversampling involves taking a number of samples, adding the samples together, and dividing the result by the number of samples taken. This result is then output from the device. The sample data is not cleared when the process is completed. The rolling oversampling mode uses a first in, first out (FIFO) buffer of the most recent samples in the averaging calculation, allowing the ADC throughput rate and output data rate to stay the same. Rolling average oversampling mode is configured by setting the OS_MODE bit to Logic 1 and having a valid nonzero value in the OSR bits. The over-sampling ratio of the digital filter is controlled using the OSR bits. Table 13 and Table 14 provide the oversampling bit decoding to select the different oversample rates. The output result is decimated to 16-bit resolution for the AD7386, 14-bit resolution for the AD7387, and 12-bit resolution for the AD7388. If additional resolution is required, this resolution can be achieved by

configuring the RES bit in the CONFIGURATION1 register. See the Resolution Boost section for further details.

In rolling average oversampling mode, all ADC conversions are controlled and initiated by the falling edge of CS. When a conversion is complete, the result is loaded into the FIFO. The FIFO length is 8 regardless of the oversampling ratio set. The FIFO is filled on the first conversion after a power-on reset (POR), the first conversion after a software controlled hard or soft reset, or the first conversion after the REFSEL bit is toggled. A new conversion result is shifted into the FIFO on completion of every ADC conversion, regardless of the status of the OSR bits and the OS_MODE bit. This shift allows a seamless transition from no oversampling to rolling average oversampling, or different rolling average oversampling ratios without waiting for the FIFO to fill.

The number of samples, n, defined by the OSR bits, are taken from the FIFO, added together, and the result is divided by n. The time between CS falling edges is the cycle time that can be controlled by the user, depending on the desired data output rate.

Table 13. Rolling Average Oversampling Overview for the AD7386

Oversampling Ratio	Throughput Rate (kSPS Maximum)	SNR (dB Typical)			
		V _{REF} = 2.5 V		V _{REF} = 3.3 V	
		RES = 0	RES = 1	RES = 0	RES = 1
Disabled	4000	85.7	85.7	87	87
2	4000	87.5	87.9	89.1	89.4
4	4000	90	90.8	91.5	92.2
8	4000	92.3	93.6	93.5	94.6

Table 14. Rolling Average Oversampling Overview for the AD7387 and for the AD7388

Oversampling Ratio	Throughput Rate (kSPS Maximum)	AD7387		AD7388	
		SNR (dB Typical)		SNR (dB Typical)	
		RES = 0	RES = 1	RES = 0	RES = 1
Disabled	4000	83	83	73.6	73.6
2	4000	83.3	85.5	73.1	76.3
4	4000	84.2	88.4	73.3	79.5
8	4000	85	90.7	73.5	81.6

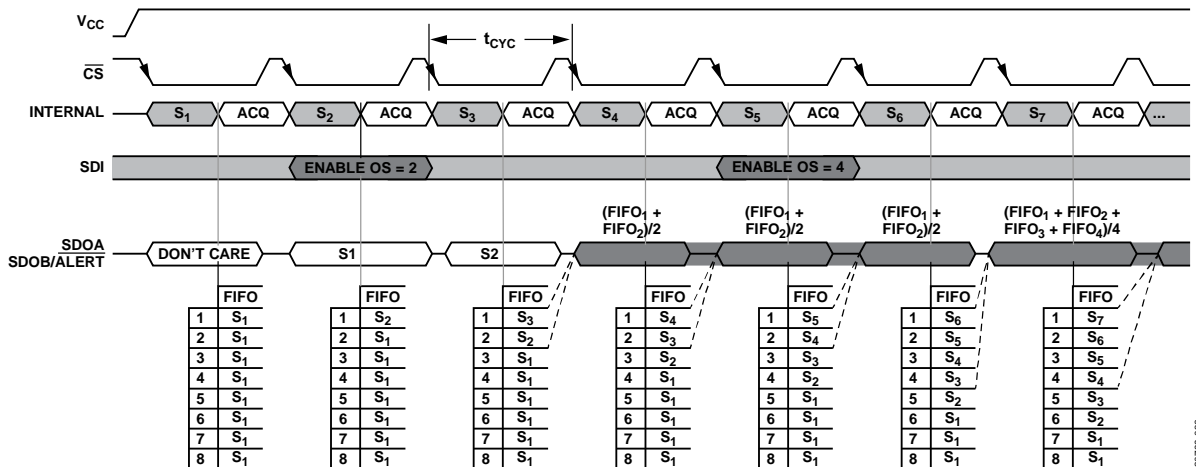


Figure 34. Rolling Average Oversampling Mode Configuration

Oversampling in Sequencer Mode

While in sequencer mode, oversampling on the A_{INX0} and A_{INX1} channels can be performed in the AD7386/AD7387/AD7388.

There is a two-cycle latency before the register update and start conversion in oversampling mode, and AD7386/AD7387/AD7388 automatically cycle through A_{INX0} and A_{INX1} . Figure 35 and Figure 36 show the timing diagrams of the normal average oversampling and rolling average oversampling in sequencer mode, respectively.

To perform oversampling in sequencer mode, write a nonzero value to enable the OSR bits in the CONFIGURATION1 register to select the number of samples to average. In addition, select the oversampling mode, either normal oversampling or rolling average, in the OS_MODE bit, while simultaneously setting the SEQ bit in the CONFIGURATION1 register to 1.

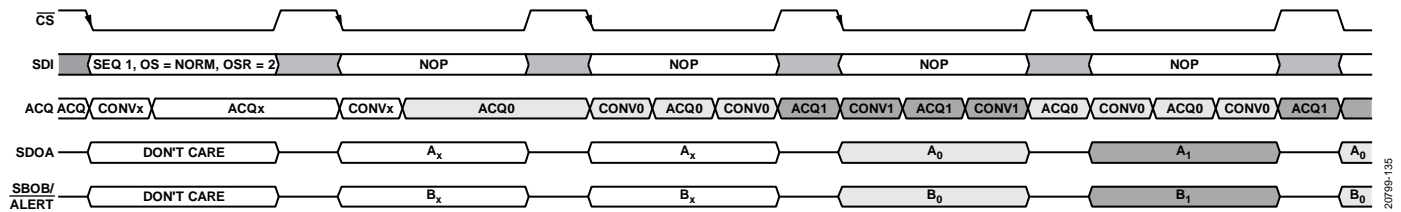


Figure 35. Normal Average Oversampling in Sequencer Mode

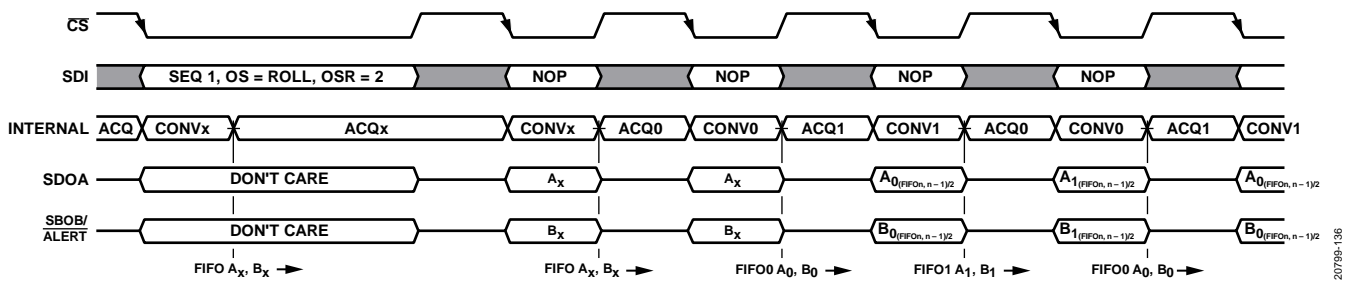


Figure 36. Rolling Average Oversampling Sequencer Mode

RESOLUTION BOOST

The default conversion result output data size for the AD7386 is 16 bits, for the AD7387 is 14 bits, and for the AD7388 is 12 bits. When the on-chip oversampling function is enabled, the performance of the ADC can exceed the 16-bit level for the AD7386, the 14-bit level for the AD7387, and the 12-bit level for the AD7388. To accommodate the performance boost, it is possible to enable an additional two bits of resolution. If the RES bit in the CONFIGURATION1 register is set to Logic 1 and the AD7386/AD7387/AD7388 are in a valid oversampling mode, the conversion result size is 18 bit for the AD7386, is 16 bit for the AD7387, and is 14-bit for the AD7388. In this mode, 18 SCLK cycles are required to propagate the data for the AD7386, 16 SCLK cycles are required for the AD7387, and 14 SCLK cycles are required for the AD7388.

ALERT

The alert functionality is an out of range indicator and can be used as an early indicator of an out of bounds conversion result. An alert event triggers when the conversion result value register exceeds the alert high limit value in the ALERT_HIGH_THRESHOLD register or falls below the alert low limit value in the ALERT_LOW_THRESHOLD register. The ALERT_HIGH_THRESHOLD register and the ALERT_LOW_THRESHOLD register are common to all ADCs.

Detailed alert information is accessible in the Alert Register section. The register contains two status bits per ADC, one corresponding to the high limit and the other to the low limit. A logical OR of alert signals for all ADCs creates a common alert value. This value can be configured to drive out on the ALERT function of the SDOB/ALERT pin. The SDOB/ALERT pin is configured as ALERT by configuring the following bits in the CONFIGURATION1 register and the CONFIGURATION2 register:

- Set the SDO bit to 1.
- Set the ALERT_EN bit to 1.

In addition, set a valid value to the ALERT_HIGH_THRESHOLD register and the ALERT_LOW_THRESHOLD register.

The alert indication function is available in oversampling, both rolling average and normal average, and in nonoversampling modes.

The ALERT function of the SDOB/ALERT pin is updated at the end of conversion. The alert indication status bits in the alert register update as well and must be read before the end of the next conversion. The ALERT function of the SDOB/ALERT pin is cleared with a falling edge of CS. Issuing a software reset also clears the alert status in the alert register.

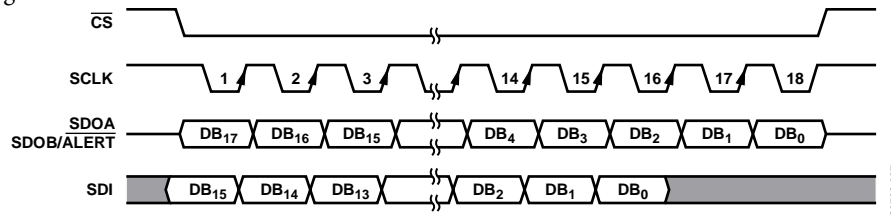


Figure 37. Resolution Boost

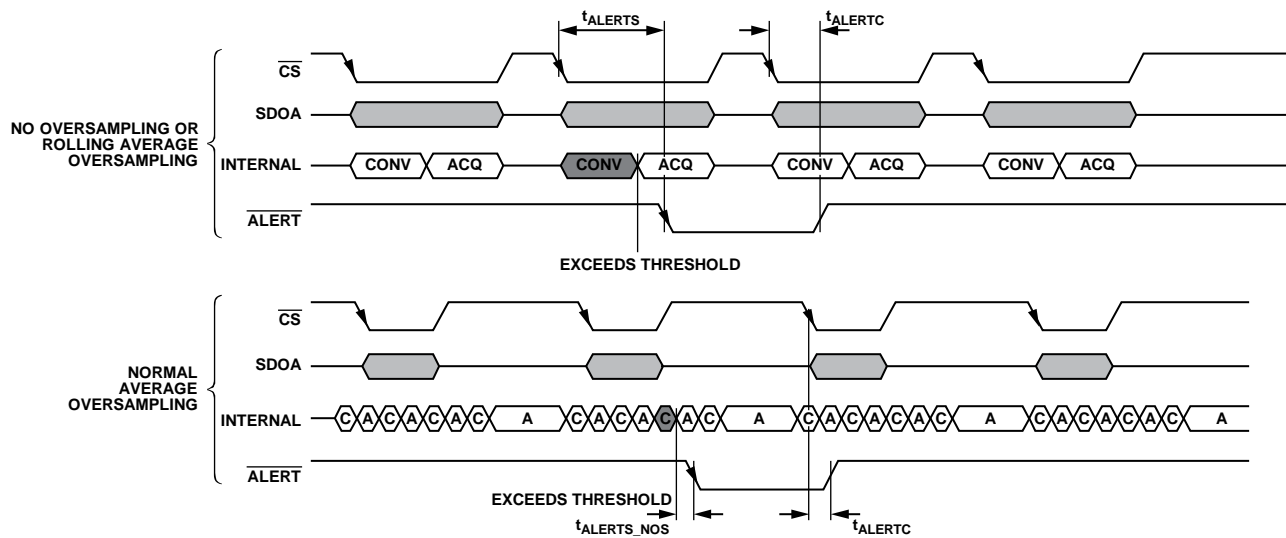


Figure 38. Alert Operation

POWER MODES

The AD7386/AD7387/AD7388 have two power modes, normal mode and power-down mode. These modes of operation provide flexible power management options, allowing optimization of the power dissipation and throughput rate ratio for different application requirements.

Program the PMODE bit in the CONFIGURATION1 register to configure the power modes in the AD7386/AD7387/AD7388. Set PMODE to Logic 0 for normal mode and Logic 1 for power-down mode.

Normal Mode

Keep the AD7386/AD7387/AD7388 in normal mode to achieve the fastest throughput rate. All blocks within the AD7386 remain fully powered at all times, and an ADC conversion can be initiated by a falling edge of CS when required. When the AD7386/AD7387/AD7388 are not converting, the devices are in static mode and power consumption automatically reduces. Additional current is required to perform a conversion. Therefore, power consumption of the AD7386/AD7387/AD7388 scales with throughput.

Power-Down Mode

When slower throughput rates and lower power consumption are required, use power-down mode by either powering down the ADC between each conversion or by performing a series of conversions at a high throughput rate and then powering down the ADC for a relatively long duration, depending on the user application, between these burst conversions. When the AD7386/AD7387/AD7388 are in power-down mode, all analog circuitry powers down including the internal reference if enabled. The serial interface remains active during power-down mode to allow the AD7386/AD7387/AD7388 to exit power-down mode.

To enter power-down mode, write to the power mode configuration bit, PMODE, in the CONFIGURATION1 register to a Logic 1. The AD7386/AD7387/AD7388 shut down and current consumption reduces.

To exit power-down mode and return to normal mode, set the PMODE bit in the CONFIGURATION1 register to Logic 0. All register configuration settings remain unchanged entering or leaving power-down mode. After exiting power-down mode, allow sufficient time for the circuitry to turn on before starting a conversion. If the internal reference is enabled, the reference must be allowed to settle for accurate conversions to happen.

INTERNAL AND EXTERNAL REFERENCES

The AD7386/AD7387/AD7388 have a 2.5 V internal reference. Alternatively, if a more accurate reference or higher dynamic range is required, an external reference can be supplied. An externally supplied reference can be in the range of 2.5 V to 3.3 V. The recommended external voltage reference is [ADR4525](#) for 2.5 V and [ADR4533](#) for a 3.3 V reference.

Reference selection, internal and external, is configured by the REFSEL bit in the CONFIGURATION1 register. If the REFSEL bit is set to 0, the internal reference buffer is enabled. If an external reference is preferred, the REFSEL bit must be set to 1, and an external reference must be supplied to the REFIO pin.

SOFTWARE RESET

The AD7386/AD7387/AD7388 have two reset modes, a soft reset and a hard reset. A reset is initiated by writing to the RESET bits in the CONFIGURATION2 register.

A soft reset maintains the contents of the configurable registers but refreshes the interface and the ADC blocks. Any internal state machines are reinitialized, and the oversampling block and FIFO are flushed. The alert register is cleared. The reference and LDO regulator remain powered.

A hard reset, in addition to the blocks reset by a soft reset, resets all user registers to the default status, resets the reference buffer, and resets the internal oscillator block.

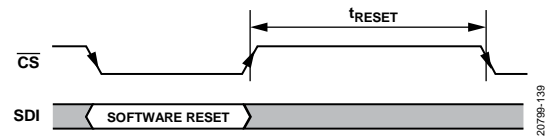


Figure 39. Software Reset Operation

DIAGNOSTIC SELF TEST

The AD7386/AD7387/AD7388 run a diagnostic self test after a POR or after a software hard reset to ensure correct configuration is loaded into the device.

The result of the self test is displayed in the SETUP_F bit in the alert register. If the SETUP_F bit is set to Logic 1, the diagnostic self test has failed. If this occurs, perform a software hard reset to reset the AD7386/AD7387/AD7388 to default status.

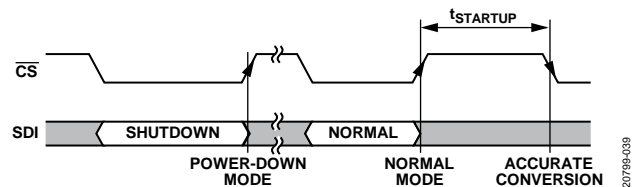


Figure 40. Power-Down Mode Operation

INTERFACE

The interface to the AD7386/AD7387/AD7388 is via a SPI. The interface consists of the \overline{CS} , SCLK, SDOA, SDOB/ALERT, and SDI pins.

The \overline{CS} signal frames a serial data transfer and initiates an ADC conversion process. The falling edge of \overline{CS} puts the track-and-hold into hold mode at which point the analog input is sampled and the bus is taken out of three-state.

The SCLK signal synchronizes data in and out of the device via the SDOA, SDOB, and SDI signals. A minimum of 16 SCLKs are required for a write to or read from a register. The minimum number of SCLK pulses for a conversion read is dependent on the resolution of the device and the configuration settings.

The ADC conversion operation is driven internally by an on-board oscillator and is independent of the SCLK signal.

The AD7386/AD7387/AD7388 have two serial output signals, SDOA and SDOB. To achieve the highest throughput, use both SDOA and SDOB, 2-wire mode, to read the conversion results. If a reduced throughput is required or oversampling is used, it is possible to use 1-wire mode, SDOA signal only, for reading conversion results. Programming the SDO bit in the CONFIGURATION2 register configures 2-wire or 1-wire mode.

Configuring a cyclic redundancy check (CRC) operation for SPI reads, SPI writes, and oversampling modes alters the operation of the interface. The relevant CRC Read, CRC Write, and CRC Polynomial sections of this data sheet must be consulted to ensure correct operation.

READING CONVERSION RESULTS

The \overline{CS} signal initiates the conversion process. A high to low transition on the \overline{CS} signal initiates a simultaneous conversion of both ADCs, ADC A and ADC B. The AD7386/AD7387/AD7388 have a one-cycle readback latency. Therefore, the conversion results are available on the next SPI access. Then, take the \overline{CS} signal low, and the conversion result clocks out on the SDOA and SDOB/ALERT pin. The next conversion is also initiated at this point. The conversion result is shifted out of the device as a 16-bit word for the AD7386, a 14-bit word for the AD7387, and a 12-bit word for the AD7388. The MSB of the conversion result is shifted out on the \overline{CS} falling edge. The remaining data is shifted out of the device under the control of the serial clock (SCLK) input. The data is shifted out on the rising edge of SCLK, and the data bits are valid on both the falling edge and the rising edge. After the final SCLK falling edge, take \overline{CS} high again to return the SDOA and SDOB/ALERT pins to a high impedance state.

The number of SCLK cycles to propagate the conversion results on the SDOA and SDOB/ALERT pins is dependent on the serial mode of operation configured and if resolution boost is enabled (see Figure 41 and Table 15 for details). If CRC reading is enabled, additional SCLK pulses are required to propagate the CRC information (see the CRC section for more details). As the \overline{CS} signal initiates a conversion, as well as framing the data, access must be completed within a single frame.

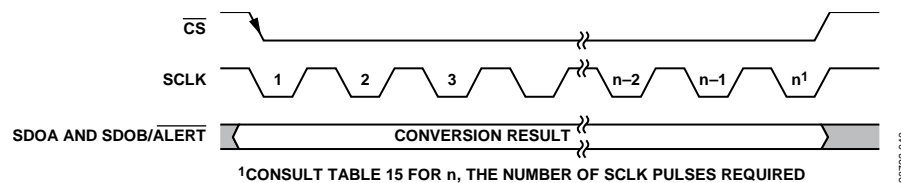


Figure 41. Reading Conversion Results

Table 15. Number of SCLKs, n, Required for Reading Conversion Results

Interface Configuration	Resolution Boost Mode	CRC Read	Number of SCLK Pulses		
			AD7386	AD7387	AD7388
2-Wire	Disabled	Disabled	16	14	12
		Enabled	24	22	20
	Enabled	Disabled	18	16	14
		Enabled	26	24	22
1-Wire	Disabled	Disabled	32	28	24
		Enabled	40	36	32
	Enabled	Disabled	36	32	28
		Enabled	44	40	36

Serial 2-Wire Mode

Configure 2-wire mode by setting the SDO bit in the CONFIGURATION2 register to 0. In 2-wire mode, the conversion result for ADC A is output on the SDOA pin, and the conversion result for ADC B is output on the SDOB/ALERT pin. See Figure 42 for more information.

Serial 1-Wire Mode

In applications where slower throughput rates are acceptable, or normal averaging oversampling is used, the serial interface can be configured to operate in 1-wire mode. In 1-wire mode, the conversion results from ADC A and ADC B are output on the serial output, SDOA. Additional SCLK cycles are required to propagate all the data. ADC A data is output first, followed by ADC B conversion results. See Figure 43 for more information.

Resolution Boost Mode

The default resolution and output data size is 16 bits for the AD7386, is 14 bits for the AD7387, and is 12 bits for the AD7388. Enabling the on-chip oversampling function reduces noise and improves the device performance. To accommodate

the performance boost, it is possible to enable an additional two bits of resolution in the conversion output data. If the RES bit in the CONFIGURATION1 register is set to Logic 1 and the AD7386/AD7387/AD7388 are in a valid oversampling mode, the conversion result size is 18 bits for the AD7386, is 16 bits for the AD7387, and is 14 bits for the AD7388.

When the resolution boost mode is enabled, 18 SCLK cycles for the AD7386, 16 SCLK cycles for the AD7387, and 14 SCLK cycles for the AD7388 are required to propagate the data.

LOW LATENCY READBACK

The interface on the AD7386/AD7387/AD7388 has a one-cycle latency, as shown in Figure 44. For applications that operate at lower throughput rates, the latency of reading the conversion result can be reduced. After the conversion time elapses, a second CS pulse after the initial CS pulse that initiated the conversion can be used to read back the conversion result. This operation is shown in Figure 44.

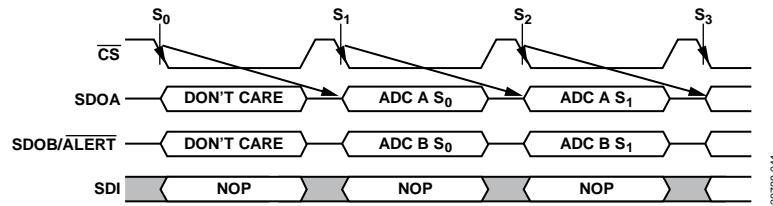


Figure 42. Reading Conversion Results for 2-Wire Mode

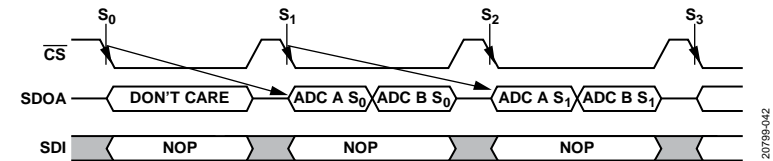


Figure 43. Read Conversion Results for 1-Wire Mode

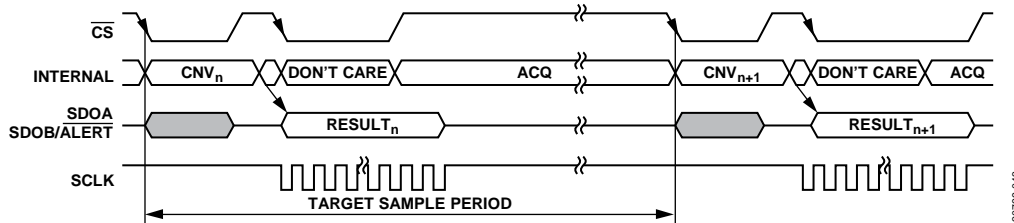


Figure 44. Low Throughput Low Latency

READING FROM DEVICE REGISTERS

All the registers in the devices can be read over the serial interface. A register read is performed by issuing a register read command followed by an additional SPI command that can be either a valid command or a no operation (NOP) command. The format for a read command is shown in Table 18. Bit D15 must be set to 0 to select a read command. Bits[D14:D12] contain the register address. The subsequent 12 bits, Bits[D11:D0] are ignored. Figure 45 shows the timing details on reading the AD7386/AD7387/AD7388 registers.

WRITING TO DEVICE REGISTERS

All the read and write registers in the AD7386/AD7387/AD7388 can be written to over the SPI. The length of an SPI write access is determined by the CRC write function. An SPI access is 16-bit if the CRC write is disabled and 24-bit when the CRC write is enabled. The format for a write command is shown in Table 18. Bit D15 must be set to 1 to select a write command. Bits[D14:D12] contain the register address. The subsequent 12 bits, Bits[D11:D0], contain the data to be written to the selected register.

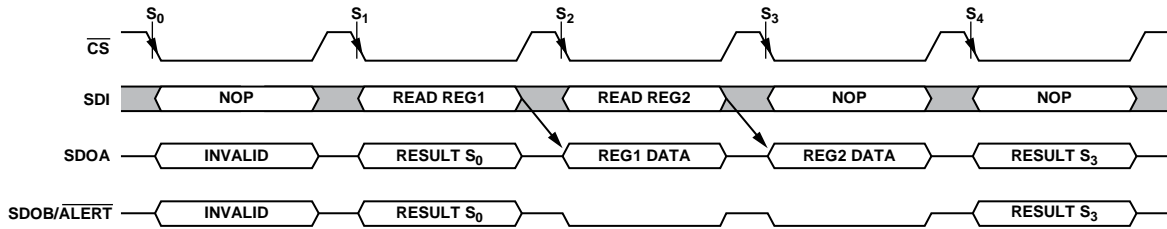


Figure 45. Register Read

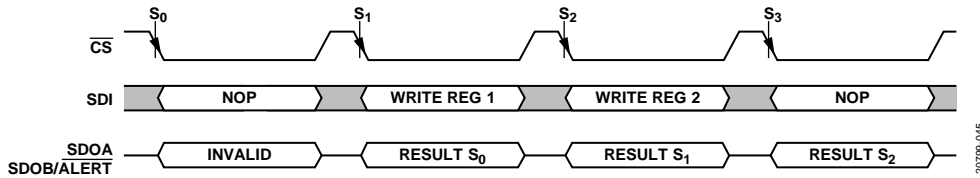


Figure 46. Register Write

CRC

The AD7386/AD7387/AD7388 have CRC checksum modes that can be used to improve interface robustness by detecting errors in data transmissions. The CRC feature is independently selectable for SPI interface reads and SPI interface writes. For example, enable the CRC function for SPI writes to prevent unexpected changes to the device configuration but not enable it on SPI reads, thus maintaining a higher throughput rate. The CRC feature is controlled by programming the CRC_W bit and CRC_R bit in the CONFIGURATION1 register.

CRC Read

If enabled, a CRC is appended to the conversion result or register read and consists of an 8-bit word. The CRC is calculated in the conversion result for ADC A and ADC B and is output on SDOA. A CRC is also calculated and appended to register read outputs.

The CRC read function can be used in 2-wire SPI mode, 1-wire SPI mode, and resolution boost mode.

CRC Write

To enable the CRC write function, the CRC_W bit in the CONFIGURATION1 register must be set to 1. To set the CRC_W bit to 1 to enable the CRC feature, the request frame must have a valid CRC appended to the frame.

After the CRC feature is enabled, all register write requests are ignored unless accompanied by a valid CRC command, requiring a valid CRC to both enable and disable the CRC write feature.

CRC Polynomial

For CRC checksum calculations, the following polynomial is always used:

$$x^8 + x^2 + x + 1$$

To generate the checksum, the 16-bit data conversion result of the two channels are combined, which produces a 32-bit data. The eight MSBs of the 32-bit data are inverted and then shift by eight bits to create a number ending in eight Logic 0s. The polynomial is aligned such that its MSB is adjacent to the leftmost Logic 1 of the data. An exclusive OR (XOR) function is applied to the data to produce a new, shorter number. The polynomial is again aligned such that its MSB is adjacent to the leftmost Logic 1 of the new result, and the procedure is repeated. This process repeats until the original data is reduced to a value less than the polynomial, the 8-bit checksum. For example, the polynomial is 100000111.

Let the original data of two channels be 0xAAAA and 0x5555, that is, 1010 1010 1010 1010 and 0101 0101 0101 0101. The data of the two channels is then appended, including eight 0s on the right. The data then becomes 1010 1010 1010 1010 0101 0101 0101 0101 0000 0000.

Table 16 shows the CRC calculation of 16-bit, 2-channel data. In the final XOR operation, the reduced data is less than the polynomial. Thus, the remainder is the CRC for the assumed data.

Table 16. Example CRC Calculation for 2-Channel, 16-Bit Data

Data	1	0	1	0	1	0	1	0	1	0	1	0	1	0	0	1	0	1	0	1	0	1	0	1	0	1	0	1	0	1	X ¹	X ¹	X ¹	X ¹	X ¹	X ¹	X ¹	X ¹	
Process Data	0	1	0	1	0	1	0	1	1	0	1	0	1	0	1	0	0	1	0	1	0	1	0	1	0	1	0	1	0	1	0	0	0	0	0	0	0	0	0
CRC																																							

¹X = don't care.

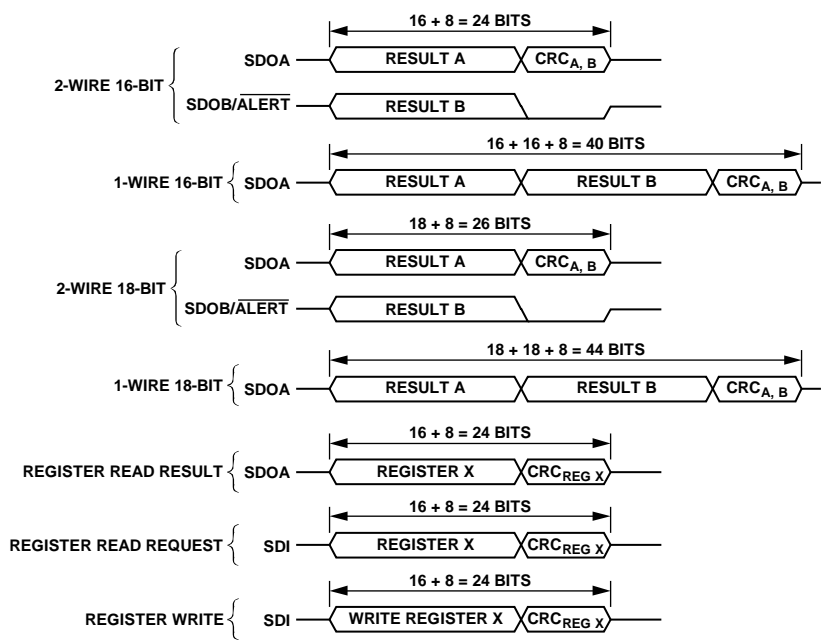


Figure 47. CRC Operation

20799-046

REGISTERS

The AD7386/AD7387/AD7388 have user-programmable on-chip registers for configuring the device. Table 17 shows a complete overview of the registers available on the AD7386/AD7387/AD7388. The registers are either read/write (R/W) or read only (R). Any read request to a write only register is ignored. Any write to a read only register is ignored. Writes to any other register address are considered a NOP and are ignored. Any read request to a register address, other than those listed in Table 17, are considered a NOP, and the data transmitted in the next SPI frame are the conversion results.

Table 17. Register Description

Reg	Name	Bits	Bit 15	Bit 14	Bit 13	Bit 12	Bit 11	Bit 10	Bit 9	Bit 8	Reset	RW
			Bit 7	Bit 6	Bit 5	Bit 4	Bit 3	Bit 2	Bit 1	Bit 0		
0x1	CONFIGURATION1	[15:8]	ADDRESSING				CH	SEQ	OS_MODE	OSR[2]	0x0000	R/W
		[7:0]	OSR[1:0]	CRC_W	CRC_R	ALERT_EN	RES	REFSEL	PMODE			
0x2	CONFIGURATION2	[15:8]	ADDRESSING				RESERVED			SDO	0x0000	R/W
		[7:0]	RESET									
0x3	ALERT	[15:8]	ADDRESSING				RESERVED		CRCW_F	SETUP_F	0x0000	R
		[7:0]	RESERVED	AL_B_HIGH	AL_B_LOW	RESERVED		AL_A_HIGH	AL_A_LOW			
0x4	ALERT_LOW_THRESHOLD	[15:8]	ADDRESSING				ALERT_LOW[11:8]				0x0000	R/W
		[7:0]	ALERT_LOW[7:0]									
0x5	ALERT_HIGH_THRESHOLD	[15:8]	ADDRESSING				ALERT_HIGH[11:8]				0x0FFF	R/W
		[7:0]	ALERT_HIGH[7:0]									

ADDRESSING REGISTERS

A serial register transfer on the AD7386/AD7387/AD7388 consists of 16 SCLK cycles. The four MSBs written to the device are decoded to determine which register is addressed. The four MSBs consist of the register address (REGADDR), Bits[2:0], and the read/write bit (WR). The register address bits determine which on-chip register is selected. The read/write bit determines if the remaining 12 bits of data on the SDI input are loaded into the addressed register if the addressed register is a valid write register. If the WR bit is 1, the bits load into the register addressed by the register select bits. If the WR bit is 0, the command is seen as a read request. The addressed register data is available to be read during the next read operation.

Table 18. Addressing Register Format

MSB														LSB	
D15	D14	D13	D12	D11	D10	D9	D8	D7	D6	D5	D4	D3	D2	D1	D0
WR	REGADDR			D[11:0]											

Table 19. Bit Descriptions for Addressing Registers

Bit	Mnemonic	Description
D15	WR	If a 1 is written to this bit, Bits[D11:D0] of this register are written to the register specified by REGADDR if it is a valid address. Alternatively, if a 0 is written, the next data sent out on the SDOA pin is a read from the designated register if it is a valid address.
D14 to D12	REGADDR	When WR = 1, the contents of REGADDR determine the register for selection as outlined in Table 17. When WR = 0, and REGADDR contain a valid register address, the contents on the requested register are output on the SDOA pin during the next interface access. When WR = 0, and REGADDR contain 0x0, 0x6, or 0x7, the contents on the SDI line are ignored. The next interface access results in the conversion results being read back.
D11 to D0	D[11:0]	These bits are written into the corresponding register specified by the REGADDR bits when the WR bit is equal to 1 and the REGADDR bits contain a valid address.

CONFIGURATION1 REGISTER

Address: 0x1, Reset: 0x0000, Name: CONFIGURATION1

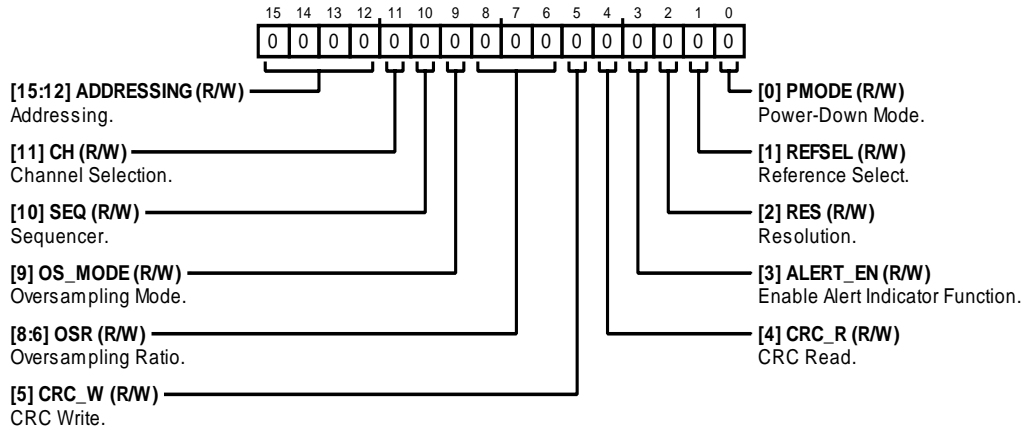


Table 20. Bit Descriptions for CONFIGURATION1

Bits	Bit Name	Description	Reset	Access
[15:12]	ADDRESSING	Addressing. Bits[15:12] define the address of the relevant register. See the Addressing Registers section for further details.	0x0	R/W
11	CH	Channel Selection. Selects the channels to be converted. 0: Channel 0s. Selects Channel 0s of the ADC, A _{IN} A0 and A _{IN} B0. 1: Channel 1s. Selects Channel 1s of the ADC, A _{IN} A1 and A _{IN} B1.	0x0	R/W
10	SEQ	Sequencer. Cycles through the A _{IN} X0 and A _{IN} X1 channels of the ADC for conversion. 0: sequencer disabled. 1: sequencer enabled.	0x0	R/W
9	OS_MODE	Oversampling Mode. Sets the oversampling mode of the ADC. 0: normal average. 1: rolling average.	0x0	R/W
[8:6]	OSR	Oversampling Ratio. Sets the oversampling ratio for all the ADCs in the relevant mode. Normal averaging mode supports oversampling ratios of ×2, ×4, ×8, ×16, and ×32. Rolling average mode supports oversampling ratios of ×2, ×4, and ×8. 000: disabled. 001: 2×. 010: 4×. 011: 8×. 100: 16×. 101: 32×. 110: disabled. 111: disabled.	0x0	R/W
5	CRC_W	CRC Write. Controls the CRC functionality for the SDI interface. When setting this bit from a 0 to a 1, the command must be followed by a valid CRC to set this configuration bit. If a valid CRC is not received, the entire frame is ignored. If the bit is set to 1, it requires a CRC to clear it to 0. 0: no CRC function. 1: CRC function.	0x0	R/W
4	CRC_R	CRC Read. Controls the CRC functionality for the SDOA and SDOB/ALERT interface. 0: no CRC function. 1: CRC function.	0x0	R/W

Bits	Bit Name	Description	Reset	Access
3	ALERT_EN	Enable Alert Indicator Function. This register functions when the SDO bit = 1. Otherwise, the ALERT_EN bit is ignored. 0: SDOB. 1: ALERT.	0x0	R/W
2	RES	Resolution. Sets the size of the conversion result data. If OSR = 0, these bits are ignored and the resolution is set to default resolution. 0: normal resolution. 1: 2-bit higher resolution.	0x0	R/W
1	REFSEL	Reference Select. Selects the ADC reference source. 0: selects internal reference. 1: selects external reference.	0x0	R/W
0	PMODE	Power-Down Mode. Sets the power modes. 0: normal mode. 1: power-down mode.	0x0	R/W

CONFIGURATION2 REGISTER

Address: 0x2, Reset: 0x0000, Name: CONFIGURATION2

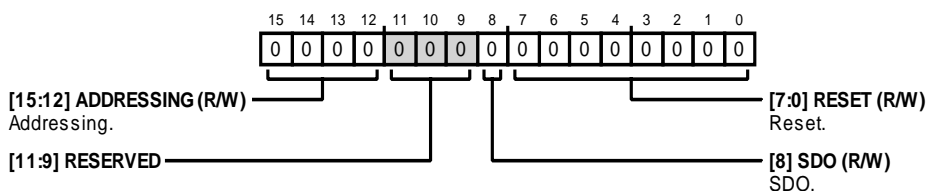


Table 21. Bit Descriptions for CONFIGURATION2

Bits	Bit Name	Description	Reset	Access
[15:12]	ADDRESSING	Addressing. Bits[15:12] define the address of the relevant register. See the Addressing Registers section for further details.	0x0	R/W
[11:9]	RESERVED	Reserved.	0x0	R
8	SDO	SDO. Conversion results serial data output. 0: 2-wire—conversion data are output on both SDOA and SDOB/ALERT pins. 1: 1-wire—conversion data are output on SDOA pin only.	0x0	R/W
[7:0]	RESET	Reset. 0x3C—performs a soft reset. Refreshes some blocks. Register contents remain unchanged. Clears the alert register and flushes any oversampling stored variables or active state machine. 0xFF—performs a hard reset. Resets all possible blocks in the device. Register contents are set to defaults. All other values are ignored.	0x0	R/W

ALERT REGISTER

Address: 0x3, Reset: 0x0000, Name: Alert

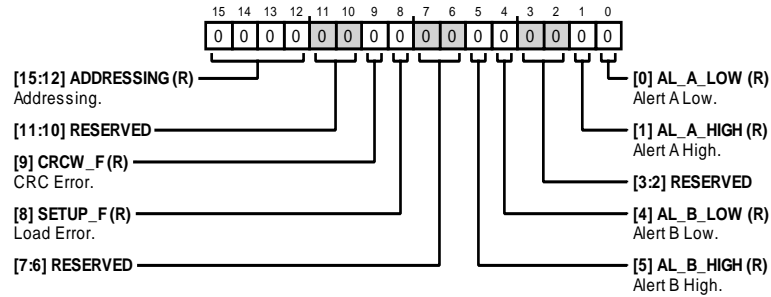


Table 22. Bit Descriptions for Alert

Bits	Bit Name	Description	Reset	Access
[15:12]	ADDRESSING	Addressing. Bits[15:12] define the address of the relevant register. See the Addressing Registers section for further details.	0x0	R
[11:10]	RESERVED	Reserved.	0x0	R
9	CRCW_F	CRC Error. Indicates that a register write command failed due to a CRC error. This fault bit is sticky and remains set until the register is read. 0: no CRC error. 1: CRC error.	0x0	R
8	SETUP_F	Load Error. The SETUP_F bit indicates that the device configuration data did not load correctly on startup. This bit does not clear on an alert register read. A hard reset via the CONFIGURATION2 register is required to clear this bit and restart the device setup again. 0: no setup error. 1: setup error.	0x0	R
[7:6]	RESERVED	Reserved.	0x0	R
5	AL_B_HIGH	Alert B High. The alert indication high bits indicate if a conversion result for the respective input channel exceeds the value set in the ALERT_HIGH_THRESHOLD register. This fault bit is sticky and remains set until the register is read. 1: alert indication. 0: no alert indication.	0x0	R
4	AL_B_LOW	Alert B Low. The alert indication low bits indicate if a conversion result for the respective input channel exceeds the value set in the ALERT_LOW_THRESHOLD register. This fault bit is sticky and remains set until the register is read. 1: alert indication. 0: no alert indication.	0x0	R
[3:2]	RESERVED	Reserved.	0x0	R
1	AL_A_HIGH	Alert A High. The alert indication high bits indicate if a conversion result for the respective input channel exceeds the value set in the ALERT_HIGH_THRESHOLD register. This fault bit is sticky and remains set until the register is read. 0: no alert indication. 1: alert indication.	0x0	R
0	AL_A_LOW	Alert A Low. The alert indication low bits indicate if a conversion result for the respective input channel exceeds the value set in the ALERT_LOW_THRESHOLD register. This fault bit is sticky and remains set until the register is read. 1: alert indication. 0: no alert indication.	0x0	R

ALERT_LOW_THRESHOLD REGISTER

Address: 0x4, Reset: 0x0000, Name: ALERT_LOW_THRESHOLD

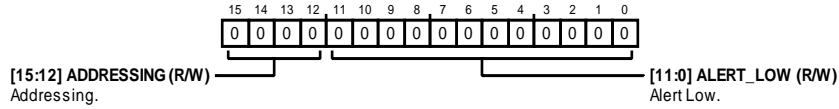


Table 23. Bit Descriptions for ALERT_LOW_THRESHOLD

Bits	Bit Name	Description	Reset	Access
[15:12]	ADDRESSING	Addressing. Bits [15:12] define the address of the relevant register. See the Addressing Registers section for further details.	0x0	R/W
[11:0]	ALERT_LOW	Alert Low. Data Bits[D11:D0] are the MSBs of the 16-bit internal alert low register. The remaining 4 bits are fixed at 0x0, which sets an alert when the conversion result is below the ALERT_LOW_THRESHOLD and disables when the conversion result is above the ALERT_LOW_THRESHOLD.	0x0	R/W

ALERT_HIGH_THRESHOLD REGISTER

Address: 0x5, Reset: 0x0FFF, Name: ALERT_HIGH_THRESHOLD

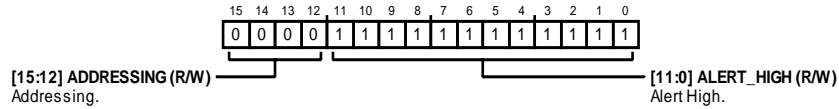


Table 24. Bit Descriptions for ALERT_HIGH_THRESHOLD

Bits	Bit Name	Description	Reset	Access
[15:12]	ADDRESSING	Addressing. Bits [15:12] define the address of the relevant register. See the Addressing Registers section for further details.	0x0	R/W
[11:0]	ALERT_HIGH	Alert High. Data Bits[D11:D0] are the MSBs of the 16-bit internal alert high register. The remaining 4 bits are fixed at 0xF, which sets an alert when the conversion result is above the ALERT_HIGH_THRESHOLD and disables when the conversion result is below the ALERT_HIGH_THRESHOLD.	0xFFF	R/W

OUTLINE DIMENSIONS

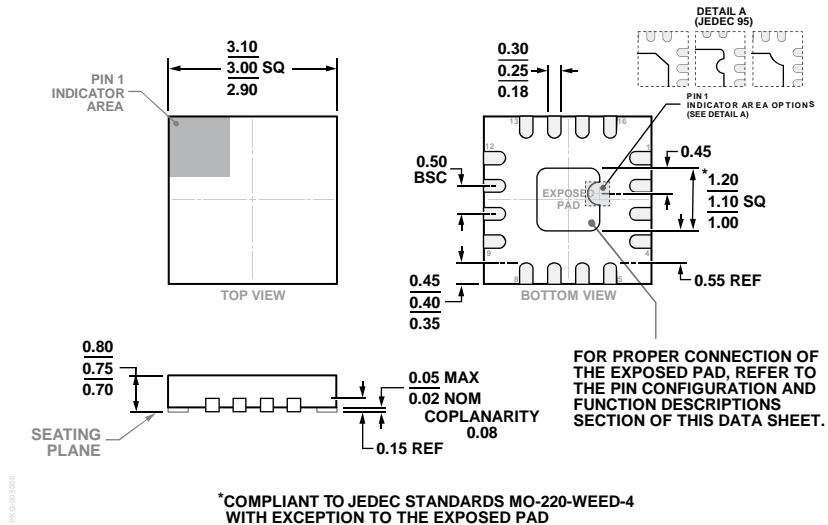


Figure 48. 16-Lead Lead Frame Chip Scale Package [LFCSP]
 3 mm × 3 mm Body and 0.75 mm Package Height
 (CP-16-45)
 Dimensions shown in millimeters

ORDERING GUIDE

Model ^{1, 2, 3}	Resolution (Bit)	Temperature Range	Package Description	Package Option	Marking Code
AD7386BCPZ-RL	16	-40°C to +125°C	16-Lead LFCSP	CP-16-45	C8Z
AD7386BCPZ-RL7	16	-40°C to +125°C	16-Lead LFCSP	CP-16-45	C8Z
AD7387BCPZ-RL	14	-40°C to +125°C	16-Lead LFCSP	CP-16-45	DMW
AD7387BCPZ-RL7	14	-40°C to +125°C	16-Lead LFCSP	CP-16-45	DMW
AD7388BCPZ-RL	12	-40°C to +125°C	16-Lead LFCSP	CP-16-45	C9T
AD7388BCPZ-RL7	12	-40°C to +125°C	16-Lead LFCSP	CP-16-45	C9T
EVAL-AD7386FMCZ			AD7386 Evaluation Board		
EVAL-SDP-CH1Z			Controller Board		

¹ Z = RoHS Compliant Part.

² The EVAL-AD7386FMCZ is compatible with the EVAL-SDP-CH1Z high speed controller board.

³ The AD7387 and the AD7388 use the EVAL-AD7386FMCZ evaluation board.

Mouser Electronics

Authorized Distributor

Click to View Pricing, Inventory, Delivery & Lifecycle Information:

[Analog Devices Inc.:](#)

[AD7386BCPZ-RL7](#) [AD7386BCPZ-RL](#) [AD7387BCPZ-RL7](#) [AD7388BCPZ-RL7](#) [AD7387BCPZ-RL](#) [AD7388BCPZ-RL](#)
[EVAL-AD7386FMCZ](#)