

# Customer Information Sheet

DRAWING No.: M80-305 TO M80-307

SHEET 2 OF 2

IF IN DOUBT - ASK

©

NOT TO SCALE

THIRD ANGLE PROJECTION

ALL DIMENSIONS IN mm

**SPECIFICATIONS:**

**MATERIALS:**  
 BODY, SLEEVE, INNER CONTACT AND LATCHING COLLAR = COPPER ALLOY  
 INSULATOR = PTFE

**FINISH:**  
 BODY, SLEEVE, INNER CONTACT = GOLD  
 LATCHING COLLAR = NICKEL

**ELECTRICAL:**  
 FREQUENCY RANGE = 6GHz  
 IMPEDANCE = 50Ω  
 V.S.W.R. = 1.05 + (0.04 x FREQUENCY) GHz MAX  
 CONTACT RESISTANCE = 6mΩ MAX

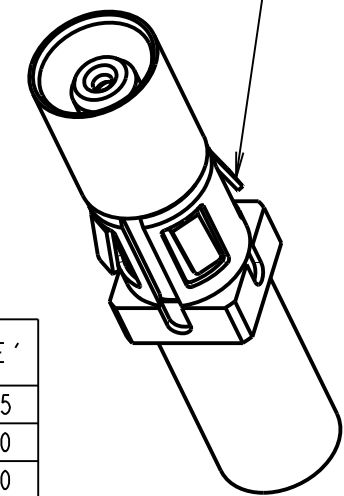
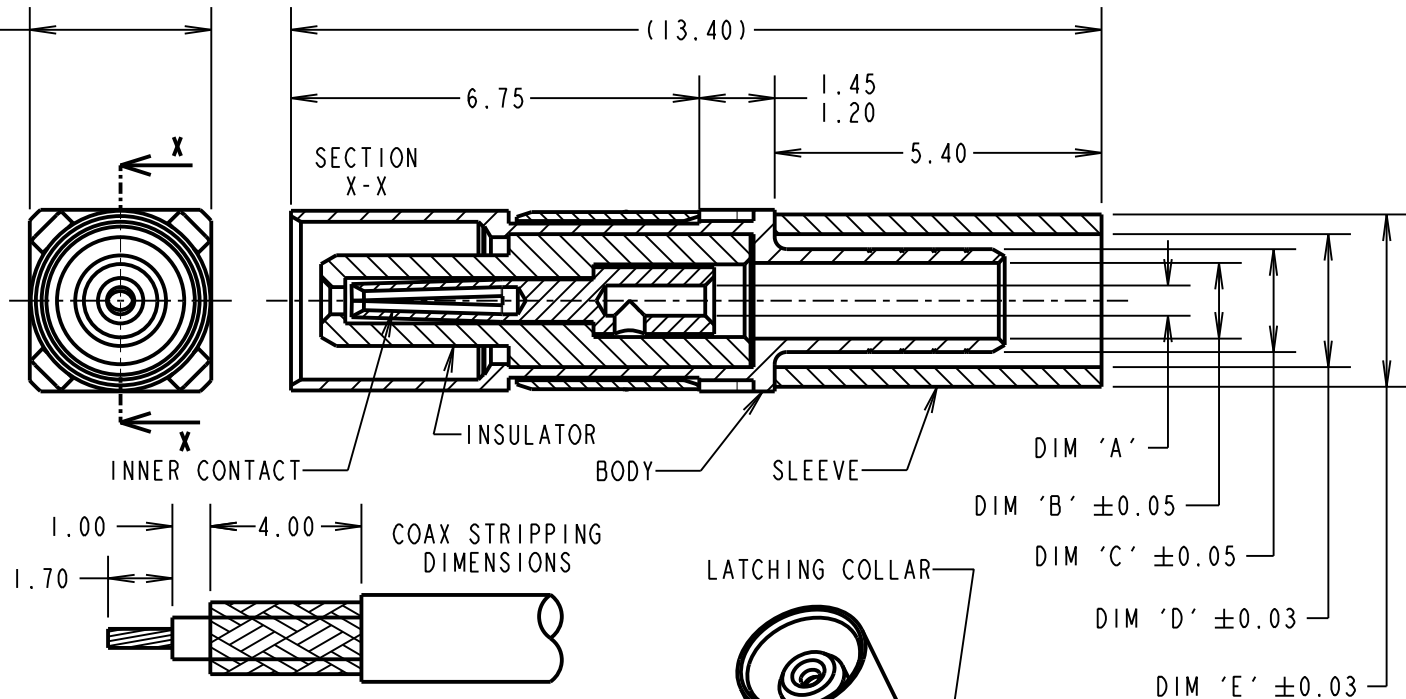
INSULATION RESISTANCE = 10<sup>6</sup>MΩ @250V AC  
 OPERATING VOLTAGE = 180V AC @ 500mA  
 MAXIMUM VOLTAGE = 1,000V AC

**MECHANICAL:**  
 DURABILITY = 500 OPERATIONS  
 INSERTION FORCE = 8N MAX  
 WITHDRAWAL FORCE = 0.5N MIN  
 CONTACT REPLACEMENT IN INSULATOR = 5 TIMES

**ENVIRONMENTAL:**  
 TEMPERATURE RANGE = -55°C TO +125°C

- NOTES:**
- CONNECTOR COMES SUPPLIED AS A KIT OF PARTS: BODY, INSULATOR, AND LATCHING COLLAR ARE PRE-ASSEMBLED, SLEEVE AND INNER CONTACT ARE SEPARATE.
  - RECOMMENDED HAND CRIMP TOOL FOR INNER CONTACT = Z80-292 WITH POSITIONER Z80-291. RECOMMENDED HAND CRIMP TOOL AND DIE SET FOR SLEEVE = Z80-293.
  - CONTACT EXTRACTION TOOL = Z80-290
  - FOR ALL OTHER ELECTRICAL/MECHANICAL REQUIREMENTS, SEE COMPONENT SPECIFICATION C005XX (LATEST ISSUE).

3.00<sup>0</sup>  
 -0.10  
 SQUARE



PART No.	CABLE DIAMETER (TYPE)	DIM 'A'	DIM 'B'	DIM 'C'	DIM 'D'	DIM 'E'
M80-305	∅2.0mm (RG178)	∅0.50 ±0.05	∅1.25	∅1.70	∅2.20	∅2.85
M80-306	∅2.4mm (PTFE CELLULAR)	∅0.35 +0.05/-0	∅1.25	∅1.70	∅2.70	∅3.20
M80-307	∅2.7mm (RG174, 179, 316)	∅0.70 ±0.05	∅1.75	∅2.35	∅2.85	∅3.50

MGP	6	03.01.13	11898
NAME	ISS.	DATE	C/NOTE
APPROVED: MGP			
CHECKED: SB			
DRAWN: W. J. BOURNE			
CUSTOMER REF.:			
ASSEMBLY DRG:			



www.harwin.com  
 technical@harwin.com

THIS DRAWING AND ANY INFORMATION OR DESCRIPTIVE MATTER SET OUT HEREON ARE CONFIDENTIAL AND COPYRIGHT PROPERTY OF THE HARWIN GROUP AND MUST NOT BE DISCLOSED, LOANED, COPIED OR USED FOR MANUFACTURING, TENDERING OR FOR ANY OTHER PURPOSE WITHOUT THEIR WRITTEN PERMISSION.

**TOLERANCES**  
 X. = ±1mm  
 X.X = ±0.25mm  
 X.XX = ±0.10mm  
 X.XXX = ±0.01mm  
 ANGLES = ±5°  
 UNLESS STATED

**MATERIAL:**  
 SEE ABOVE  
**FINISH:** SEE ABOVE  
**S/AREA:** mm<sup>2</sup>

**TITLE:** DATAMATE MIX-TEK  
 COAX CONTACT  
 FEMALE STRAIGHT CRIMP  
**DRAWING NUMBER:**  
 M80-305 TO M80-307

# Mouser Electronics

Authorized Distributor

Click to View Pricing, Inventory, Delivery & Lifecycle Information:

[Harwin:](#)

[M80-305](#) [M80-306](#) [M80-307](#)