

# Customer Information Sheet

DRAWING No.: M80-5000000MI-XX-XXX-00-000

IF IN DOUBT - ASK

©

NOT TO SCALE

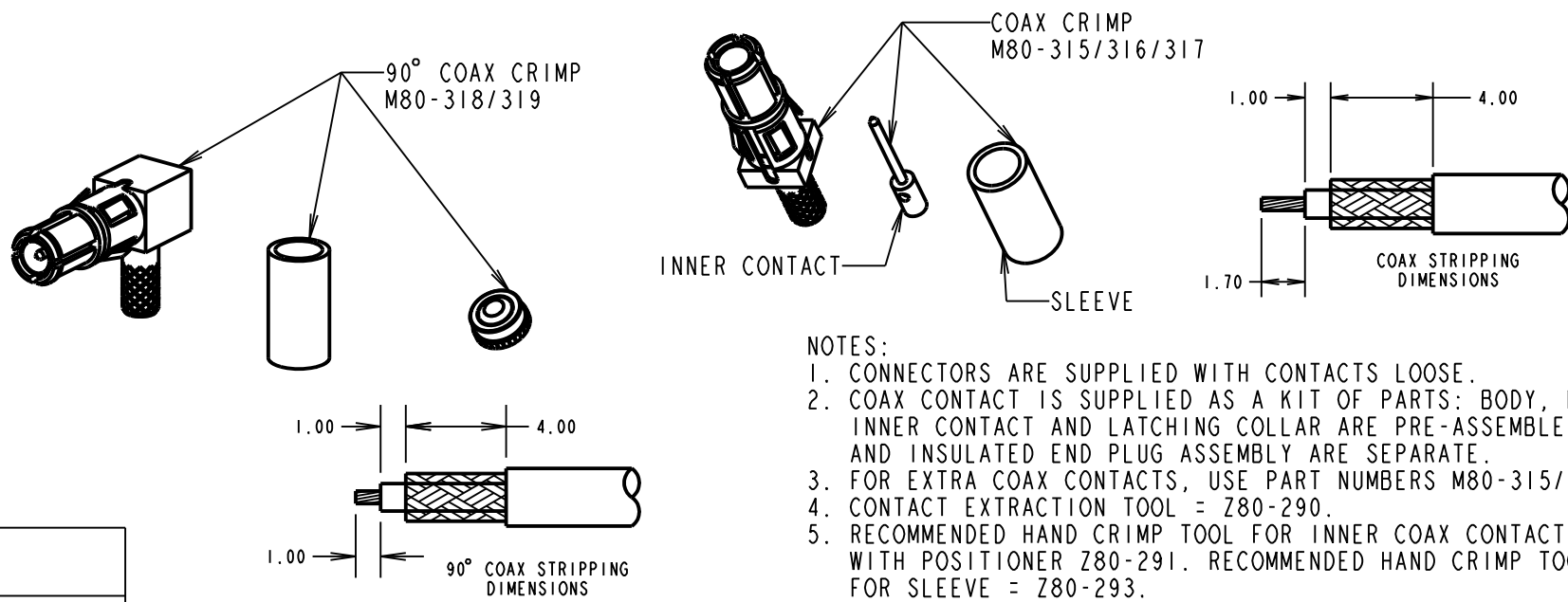
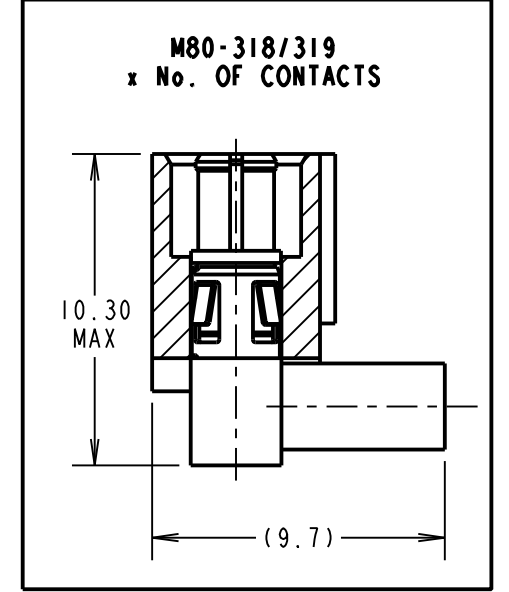
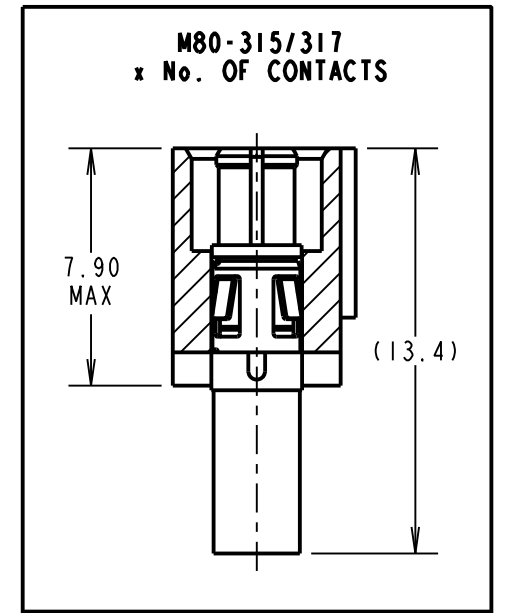
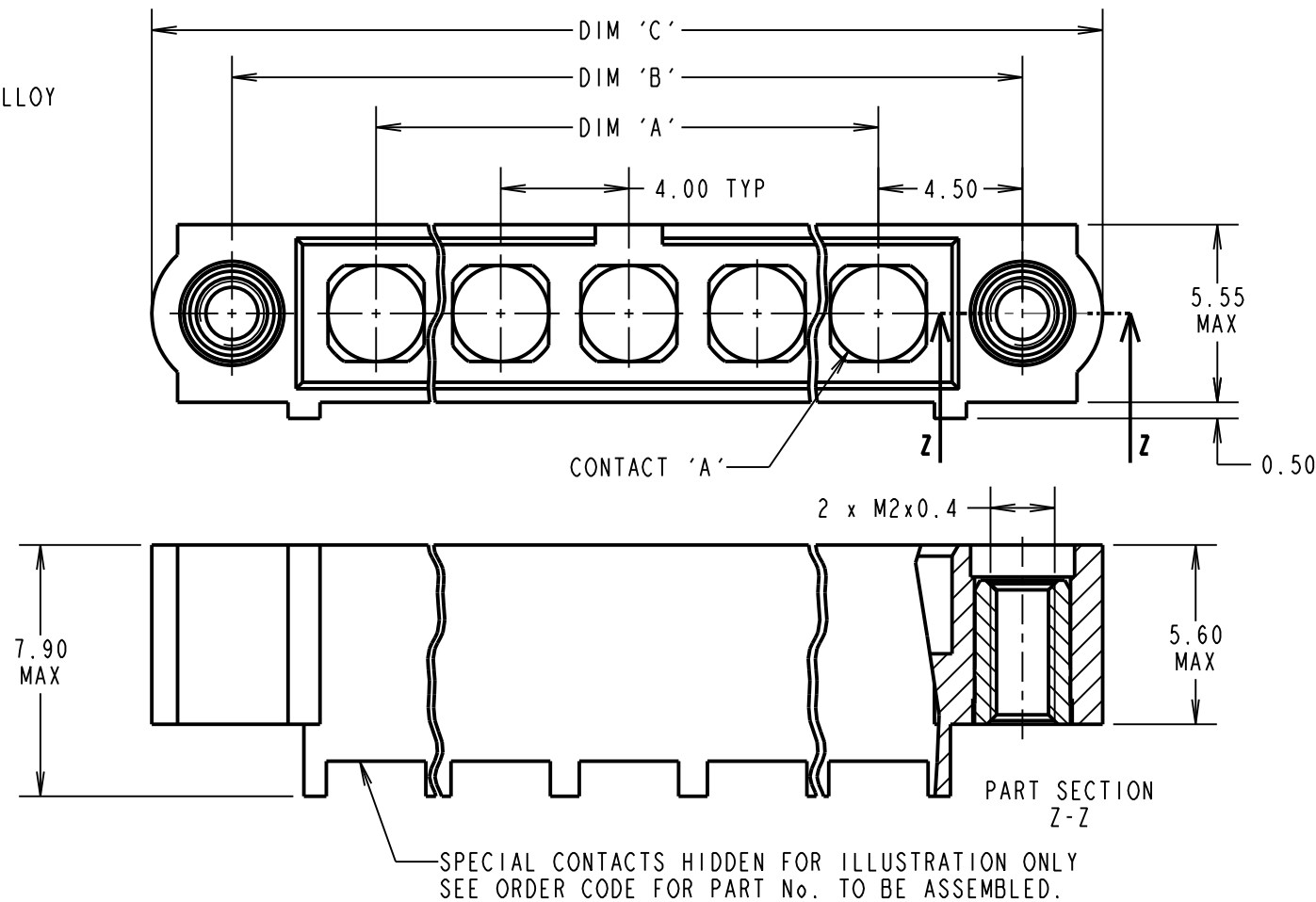
THIRD ANGLE PROJECTION

ALL DIMENSIONS IN mm

**SPECIFICATIONS:**

**MATERIAL:**  
 MOULDING: GLASS FILLED PPS, UL94V-0, BLACK  
**COAX CONTACT:**  
 BODY, SLEEVE, INNER CONTACT, END PLUG = COPPER ALLOY  
 LATCHING COLLAR = BERYLLIUM COPPER  
 INSULATOR = PTFE  
 JACKSCREW = STAINLESS STEEL  
**FINISH:**  
**COAX CONTACT**  
 BODY, SLEEVE, INNER CONTACT, END PLUG = GOLD  
 LATCHING COLLAR: = NICKEL  
**ELECTRICAL:**  
 INSULATION RESISTANCE = 100MΩ MIN  
**COAX CONTACT:**  
 FREQUENCY RANGE = 6GHz  
 IMPEDANCE = 50Ω  
 V.S.W.R = 1.05 + (0.04 x FREQUENCY) GHz MAX  
 CONTACT RESISTANCE 6mΩ MAX  
 INSULATION RESISTANCE = 10<sup>6</sup>MΩ @250V AC  
 OPERATING VOLTAGE = 180V AC @ 500mA  
 MAXIMUM VOLTAGE = 1000V AC  
**MECHANICAL:**  
 DURABILITY = 500 OPERATIONS  
**COAX CONTACT:**  
 INSERTION FORCE = 8N MAX  
 WITHDRAWAL FORCE = 0.5N MIN  
**ENVIRONMENTAL:**  
 TEMPERATURE RANGE = -55°C TO +125°C  
**PACKING:**  
 BAG  
 FOR COMPLETE SPECIFICATION SEE COMPONENT SPECIFICATION C005XX (LATEST ISSUE)

**COAX CRIMP/SOLDER CONTACTS ONLY**



ORDER CODE: (COAX CRIMP/SOLDER CONTACTS)  
**M80-5000000MI-XX-XXX-00-000**  
 TOTAL No. OF CONTACTS \_\_\_\_\_  
 02 TO 12  
 SPECIAL CONTACTS (CRIMP)  
 315 = COAX CONTACT 2.0mm CRIMP M80-315  
 317 = COAX CONTACT 2.7mm CRIMP M80-317  
 318 = COAX CONTACT 2.0mm HORZ' CRIMP M80-318  
 319 = COAX CONTACT 2.7mm HORZ' CRIMP M80-319

DIMENSION	CALCULATION
DIM 'A'	4 x No. OF CONTACTS - 4.00
DIM 'B'	4 x No. OF CONTACTS + 5.00
DIM 'C'	4 x No. OF CONTACTS + 10.0

EXAMPLE: CONNECTOR WITH 08 COAX CONTACTS,  
 M80-5000000MI-08-315-00-000  
 DIM 'A' = 28.00mm, DIM 'B' = 37.00mm, DIM 'C' = 42.00mm

- NOTES:**
- CONNECTORS ARE SUPPLIED WITH CONTACTS LOOSE.
  - COAX CONTACT IS SUPPLIED AS A KIT OF PARTS: BODY, MAIN INSULATOR, INNER CONTACT AND LATCHING COLLAR ARE PRE-ASSEMBLED AND SLEEVE AND INSULATED END PLUG ASSEMBLY ARE SEPARATE.
  - FOR EXTRA COAX CONTACTS, USE PART NUMBERS M80-315/317/318/319.
  - CONTACT EXTRACTION TOOL = Z80-290.
  - RECOMMENDED HAND CRIMP TOOL FOR INNER COAX CONTACT = Z80-292 WITH POSITIONER Z80-291. RECOMMENDED HAND CRIMP TOOL AND DIE SET FOR SLEEVE = Z80-293.
  - INSTRUCTION SHEETS ARE AVAILABLE.

MGP	7	22.11.18	21265
NAME	ISS.	DATE	C/NOTE
APPROVED: MGP			
CHECKED: SB			
DRAWN: R.ADDE			
CUSTOMER REF.:			
ASSEMBLY DRG:			

**HARWIN**  
 www.harwin.com  
 technical@harwin.com

THIS DRAWING AND ANY INFORMATION OR DESCRIPTIVE MATTER SET OUT HEREON ARE CONFIDENTIAL AND COPYRIGHT PROPERTY OF THE HARWIN GROUP AND MUST NOT BE DISCLOSED, LOANED, COPIED OR USED FOR MANUFACTURING, TENDERING OR FOR ANY OTHER PURPOSE WITHOUT THEIR WRITTEN PERMISSION.

**TOLERANCES**  
 X. = ±1mm  
 X.X = ±0.50mm  
 X.XX = ±0.10mm  
 X.XXX = ±0.01mm  
**ANGLES = ±5°**  
 UNLESS STATED

**MATERIAL:**  
 SEE ABOVE  
**FINISH:** SEE ABOVE  
**S/AREA:** mm<sup>2</sup>

**TITLE:** DATAMATE MIX-TEK MALE ASSEMBLY WITH JACKSCREW  
**DRAWING NUMBER:** M80-5000000MI-XX-XXX-00-000  
 SHT 5 OF 8

# Customer Information Sheet

DRAWING No.: M80-500000MI-XX-XXX-00-000

IF IN DOUBT - ASK

©

NOT TO SCALE

THIRD ANGLE PROJECTION

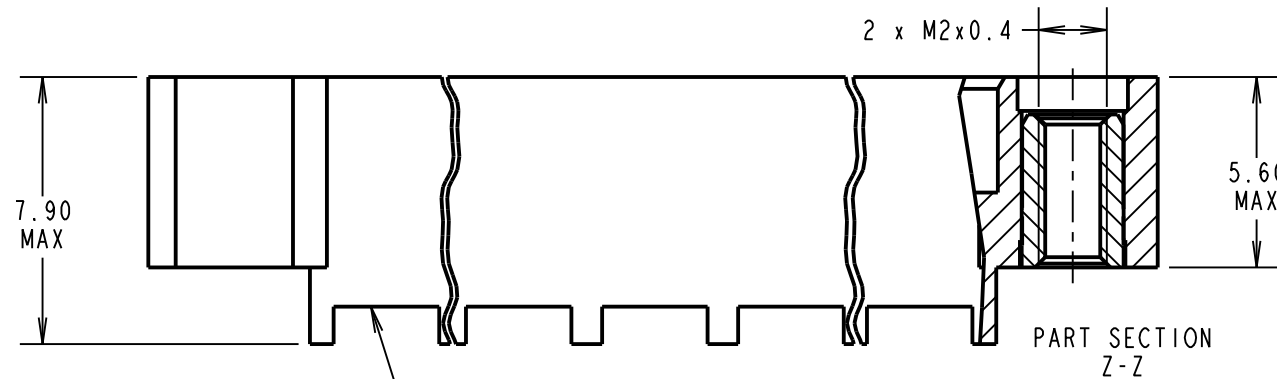
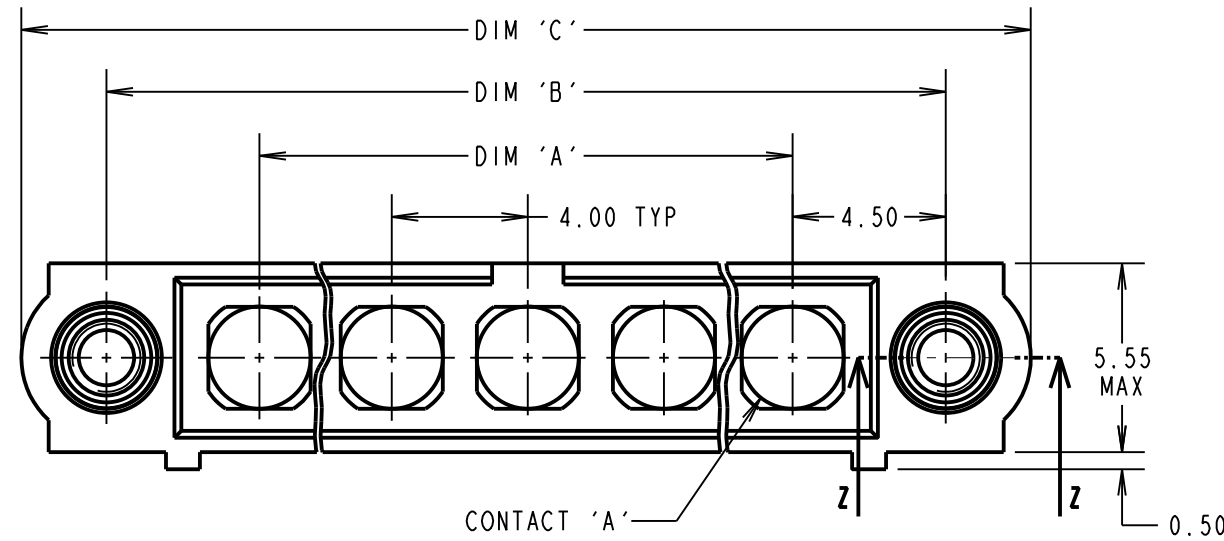
ALL DIMENSIONS IN mm

**SPECIFICATIONS:**

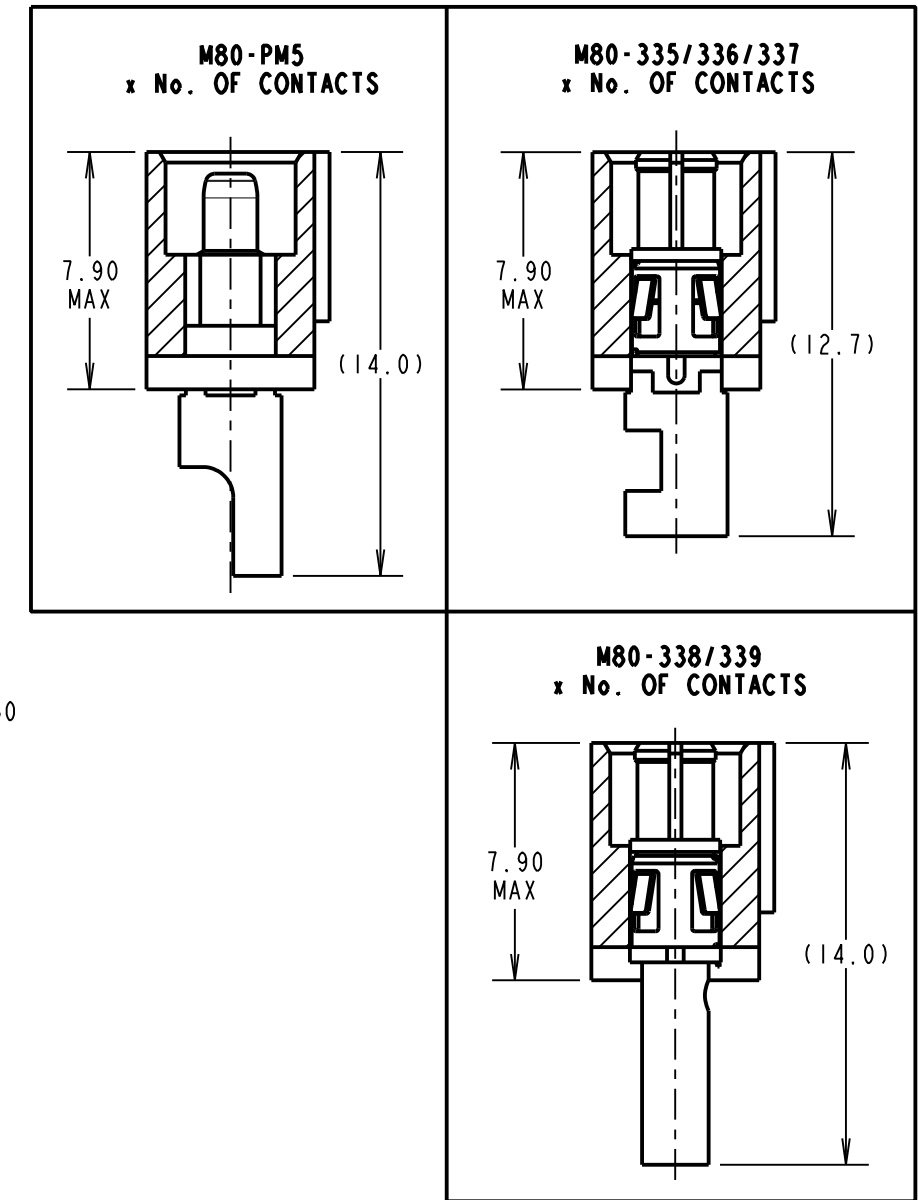
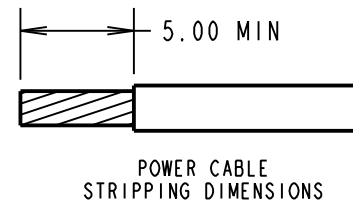
**MATERIAL:**  
 MOULDING: GLASS FILLED PPS, UL94V-0, BLACK  
**POWER CONTACT:**  
 BODY = COPPER ALLOY  
 LATCHING COLLAR = BERYLLIUM COPPER  
 JACKSCREW: STAINLESS STEEL  
**FINISH:**  
**POWER CONTACT:**  
 8 TO 20A = 0.25µm MIN GOLD OVER NICKEL  
 40A = 0.76µm MIN GOLD OVER NICKEL  
 LATCHING COLLAR: = NICKEL  
**ELECTRICAL:**  
 WORKING VOLTAGE = 800V AC/DC  
 VOLTAGE PROOF = 1200V AC/DC  
 INSULATION RESISTANCE = 100MΩ MIN  
**POWER CONTACT:**  
 CONTACT RESISTANCE = 6mΩ MAX  
**CURRENT RATING:**  
 M80-PM5 = 40A MAX WITH 10AWG,  
 M80-335 = 20A MAX WITH 12AWG,  
 M80-336 = 15A MAX WITH 14AWG,  
 M80-337 = 10A MAX WITH 16AWG,  
 M80-338 = 8A MAX WITH 18AWG,  
 M80-339 = 5A MAX WITH 20AWG,  
 CONTACT AS SPECIFIED.

**MECHANICAL:**  
 DURABILITY = 500 OPERATIONS  
**POWER CONTACT:**  
 INSERTION FORCE:  
 8 TO 20A = 8N MAX  
 40A = 15N MAX  
 WITHDRAWAL FORCE = 0.5N MIN  
**ENVIRONMENTAL:**  
 TEMPERATURE RANGE = -55°C TO +150°C  
**PACKING:**  
 BAG  
 FOR COMPLETE SPECIFICATION SEE COMPONENT SPECIFICATION C005XX (LATEST ISSUE)

## POWER CRIMP/SOLDER CONTACTS ONLY



SPECIAL CONTACTS HIDDEN FOR ILLUSTRATION ONLY  
 SEE ORDER CODE FOR PART No. TO BE ASSEMBLED.



ORDER CODE: (POWER CRIMP/SOLDER CONTACTS)

**M80-500000MI-XX-XXX-00-000**

TOTAL No. OF CONTACTS \_\_\_\_\_  
 02 TO 12

SPECIAL CONTACTS (CRIMP)  
 PM5 = POWER CONTACT 10AWG SOLDER M80-PM5  
 335 = POWER CONTACT 12AWG SOLDER M80-335  
 336 = POWER CONTACT 14AWG SOLDER M80-336  
 337 = POWER CONTACT 16AWG SOLDER M80-337  
 338 = POWER CONTACT 18AWG SOLDER/CRIMP M80-338  
 339 = POWER CONTACT 20AWG SOLDER/CRIMP M80-339

DIMENSION	CALCULATION
DIM 'A'	4 x No. OF CONTACTS - 4.00
DIM 'B'	4 x No. OF CONTACTS + 5.00
DIM 'C'	4 x No. OF CONTACTS + 10.0
EXAMPLE: CONNECTOR WITH 10 POWER CONTACTS, M80-500000MI-10-335-00-000 DIM 'A' = 36.00mm, DIM 'B' = 45.00mm, DIM 'C' = 50.0mm	

**NOTES:**

- CONNECTORS ARE SUPPLIED WITH CONTACTS LOOSE.
- FOR EXTRA POWER CONTACTS USE PART NUMBERS:  
 M80-PF5/335/336/337/338/339.
- CONTACT EXTRACTION TOOL = Z80-290.
- RECOMMENDED HAND CRIMP TOOL FOR CONTACTS 338/339 = Z80-294  
 AND POSITIONER Z80-295.
- INSTRUCTION SHEETS ARE AVAILABLE.

MGP	7	22.11.18	21265
NAME	ISS.	DATE	C/NOTE
APPROVED: MGP			
CHECKED: SB			
DRAWN: R.ADDE			
CUSTOMER REF.:			
ASSEMBLY DRG:			

**HARWIN**

www.harwin.com  
 technical@harwin.com

THIS DRAWING AND ANY INFORMATION OR DESCRIPTIVE MATTER SET OUT HEREON ARE CONFIDENTIAL AND COPYRIGHT PROPERTY OF THE HARWIN GROUP AND MUST NOT BE DISCLOSED, LOANED, COPIED OR USED FOR MANUFACTURING, TENDERING OR FOR ANY OTHER PURPOSE WITHOUT THEIR WRITTEN PERMISSION.

**TOLERANCES**  
 X. = ±1mm  
 X.X = ±0.50mm  
 X.XX = ±0.10mm  
 X.XXX = ±0.01mm  
**ANGLES = ±5°**  
 UNLESS STATED

**MATERIAL:**  
 SEE ABOVE  
**FINISH:** SEE ABOVE  
**S/AREA:** mm<sup>2</sup>

**TITLE:** DATAMATE MIX-TEK  
 MALE ASSEMBLY  
 WITH JACKSCREW

**DRAWING NUMBER:**  
**M80-500000MI-XX-XXX-00-000**

SHT  
 6 OF 8

# Customer Information Sheet

DRAWING No.: M80-5000000MI-XX-XXX-00-000

IF IN DOUBT - ASK

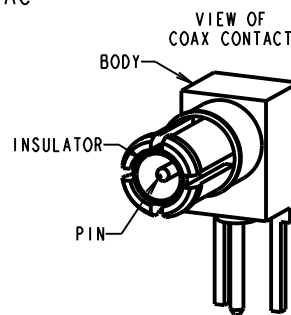
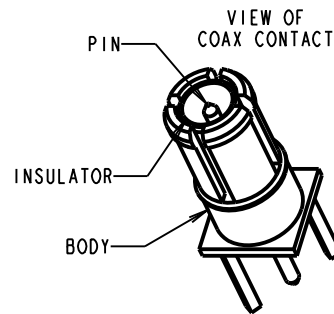
©

NOT TO SCALE

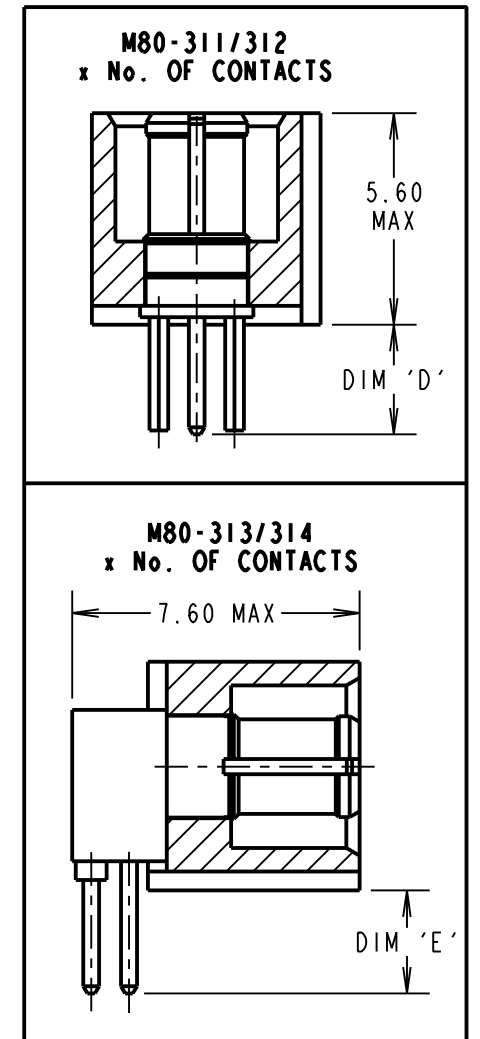
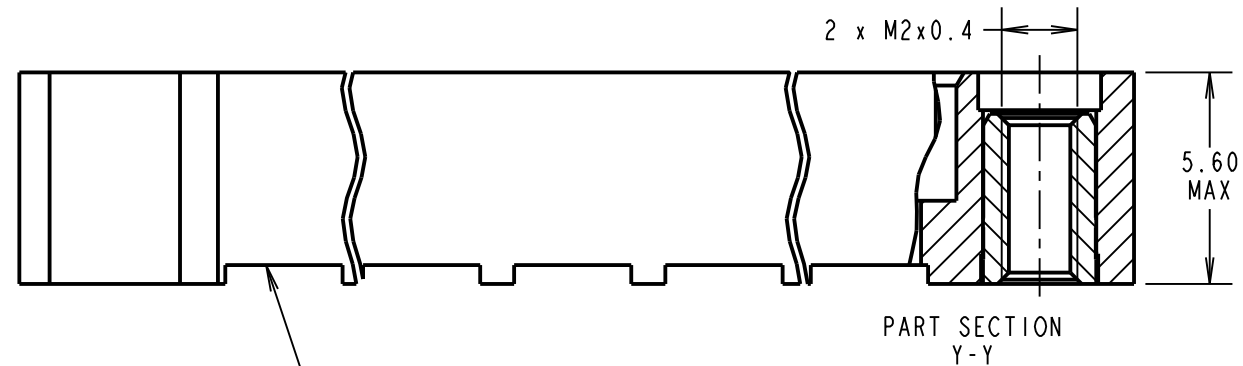
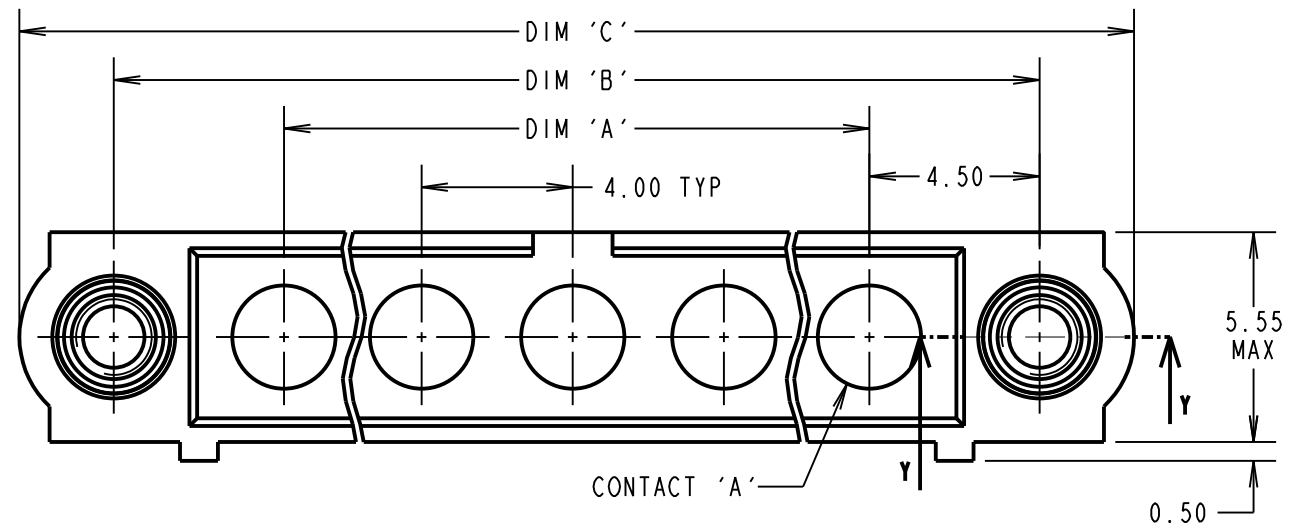
THIRD ANGLE PROJECTION

ALL DIMENSIONS IN mm

**SPECIFICATIONS:**  
**MATERIAL:**  
 MOULDING: GLASS FILLED PPS, UL94V-0, BLACK  
**COAX CONTACT:**  
 BODY, INNER CONTACT, = COPPER ALLOY  
 INSULATOR = PTFE  
 JACKSCREW: STAINLESS STEEL  
**FINISH:**  
 COAX CONTACT:  
 BODY, INNER CONTACT, = GOLD  
**ELECTRICAL:**  
 INSULATION RESISTANCE = 100MΩ MIN  
 COAX CONTACT:  
 FREQUENCY RANGE = 6GHz  
 IMPEDANCE = 50Ω  
 V.S.W.R = 1.05 + (0.04 x FREQUENCY) GHz MAX  
 CONTACT RESISTANCE 6mΩ MAX  
 INSULATION RESISTANCE = 10<sup>6</sup>MΩ @250V AC  
 OPERATING VOLTAGE = 180V AC @ 500mA  
 MAXIMUM VOLTAGE = 1000V AC  
**MECHANICAL:**  
 DURABILITY = 500 OPERATIONS  
 COAX CONTACT:  
 INSERTION FORCE = 8N MAX  
 WITHDRAWAL FORCE = 0.5N MIN  
**ENVIRONMENTAL:**  
 TEMPERATURE RANGE = -55°C TO +125°C  
**PACKING:**  
 TUBE  
 FOR COMPLETE SPECIFICATION SEE COMPONENT SPECIFICATION C005XX (LATEST ISSUE)



## COAX PC TAIL CONTACTS ONLY



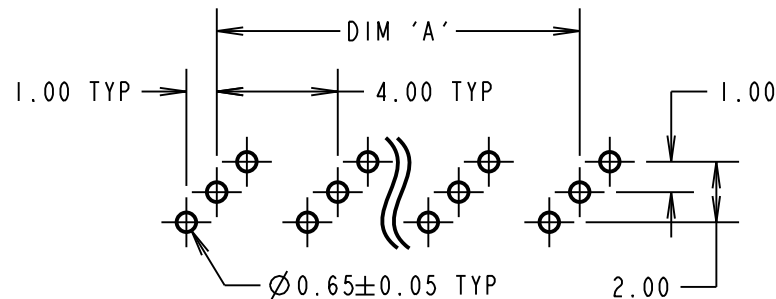
**ORDER CODE:**  
 (COAX PC TAIL CONTACTS ONLY)  
**M80-5000000MI-XX-XXX-00-000**

TOTAL No. OF CONTACTS ———  
 02 TO 12

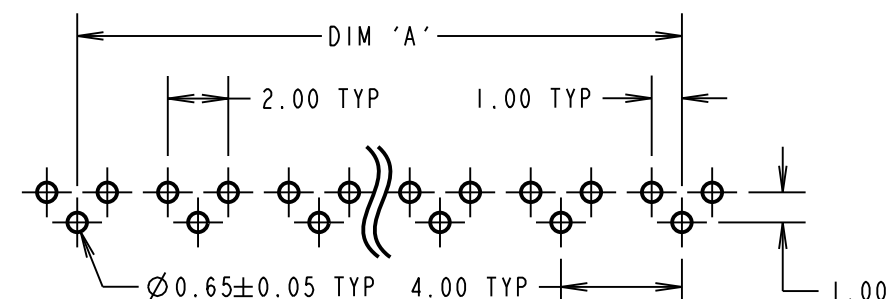
SPECIAL CONTACTS (PC TAIL) ———  
 311 = COAX CONTACT 3.0mm PC TAIL M80-311  
 312 = COAX CONTACT 4.5mm PC TAIL M80-312  
 313 = COAX CONTACT 3.0mm HORZ' PC TAIL M80-313  
 314 = COAX CONTACT 4.5mm HORZ' PC TAIL M80-314

SPECIAL CONTACTS HIDDEN FOR ILLUSTRATION ONLY  
 SEE ORDER CODE FOR PART No. ASSEMBLED

RECOMMENDED PCB LAYOUTS FOR COAX CONTACTS: M80-311/312



RECOMMENDED PCB LAYOUTS FOR COAX CONTACTS: M80-313/314



DIMENSION	CALCULATION
DIM 'A'	4 x No. OF CONTACTS - 4.00
DIM 'B'	4 x No. OF CONTACTS + 5.00
DIM 'C'	4 x No. OF CONTACTS + 10.0
DIM 'D'	M80-311 = 3.0mm, M80-312 = 4.5mm
DIM 'E'	M80-313 = 3.0mm, M80-314 = 4.5mm

EXAMPLE: CONNECTOR WITH 08 COAX CONTACTS,  
 M80-5000000MI-08-313-00-000  
 DIM 'A' = 28.00mm, DIM 'B' = 37.00mm, DIM 'C' = 42.0mm  
 DIM 'E' = 3.0mm

MGP	7	22.11.18	21265
NAME	ISS.	DATE	C/NOTE
APPROVED: MGP			
CHECKED: SB			
DRAWN: R.ADDE			
CUSTOMER REF.:			
ASSEMBLY DRG:			

**HARWIN**  
 www.harwin.com  
 technical@harwin.com

THIS DRAWING AND ANY INFORMATION OR DESCRIPTIVE MATTER SET OUT HEREON ARE CONFIDENTIAL AND COPYRIGHT PROPERTY OF THE HARWIN GROUP AND MUST NOT BE DISCLOSED, LOANED, COPIED OR USED FOR MANUFACTURING, TENDERING OR FOR ANY OTHER PURPOSE WITHOUT THEIR WRITTEN PERMISSION.

**TOLERANCES**  
 X. = ±1mm  
 X.X = ±0.50mm  
 X.XX = ±0.10mm  
 X.XXX = ±0.01mm  
 ANGLES = ±5°  
 UNLESS STATED

**MATERIAL:**  
 SEE ABOVE  
**FINISH:**  
 SEE ABOVE  
**S/AREA:**  
 mm<sup>2</sup>

**TITLE:**  
 DATAMATE MIX-TEK  
 MALE ASSEMBLY  
 WITH JACKSCREW  
**DRAWING NUMBER:**  
 M80-5000000MI-XX-XXX-00-000  
 SHT 7 OF 8

# Customer Information Sheet

DRAWING No.: M80-5000000MI-XX-XXX-00-000

IF IN DOUBT - ASK

©

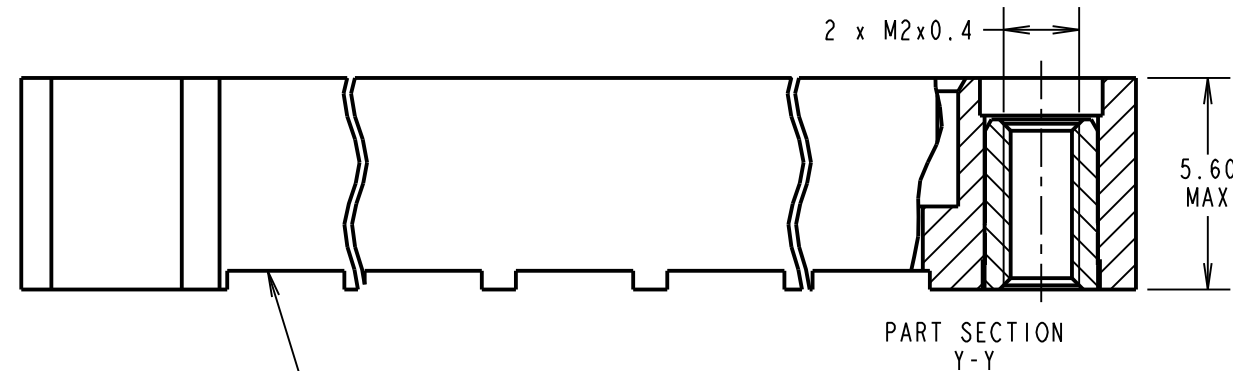
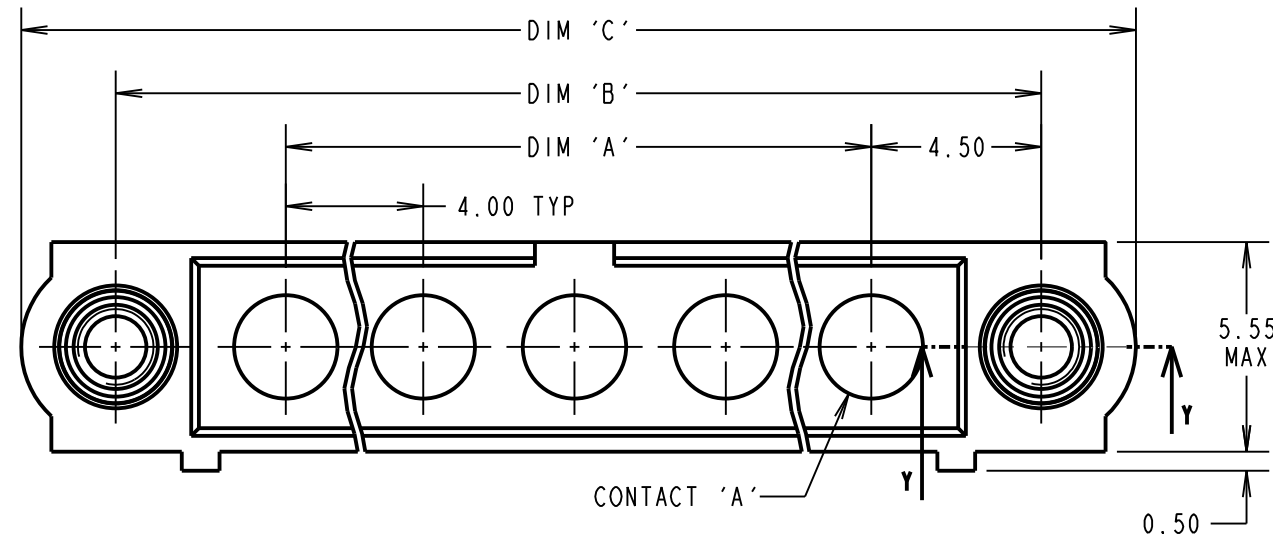
NOT TO SCALE

THIRD ANGLE PROJECTION

ALL DIMENSIONS IN mm

**SPECIFICATIONS:**  
**MATERIAL:**  
 MOULDING: GLASS FILLED PPS, UL94V-0, BLACK  
 POWER CONTACT: COPPER ALLOY  
 JACKSCREW: STAINLESS STEEL  
**FINISH:**  
 POWER CONTACT:  
 20A = 0.25µm MIN GOLD OVER NICKEL  
 40A = 0.76µm MIN GOLD OVER NICKEL  
**ELECTRICAL:**  
 WORKING VOLTAGE = 800V AC/DC  
 VOLTAGE PROOF = 1200V AC/DC  
 INSULATION RESISTANCE = 100MΩ MIN  
**POWER CONTACT:**  
 CONTACT RESISTANCE 6mΩ MAX  
**CURRENT RATING:**  
 M80-331/332/333/334/33A = 20A MAX  
 M80-PM1/PM2/PM3/PM4 = 40A MAX  
**MECHANICAL:**  
 DURABILITY = 500 OPERATIONS  
**POWER CONTACT:**  
 INSERTION FORCE:  
 M80-331/332/323/324/33A = 8N MAX  
 M80-PM1/PM2/PM3/PM4 = 15N MAX  
 WITHDRAWAL FORCE = 0.5N MIN  
**ENVIRONMENTAL:**  
 TEMPERATURE RANGE = -55°C TO +150°C  
**PACKING:**  
 TUBE  
 FOR COMPLETE SPECIFICATION SEE COMPONENT SPECIFICATION C005XX (LATEST ISSUE)

## POWER PC TAIL AND SMT CONTACTS ONLY



SPECIAL CONTACTS HIDDEN FOR ILLUSTRATION ONLY  
 SEE ORDER CODE FOR PART No. ASSEMBLED

ORDER CODE:  
 (POWER PC TAIL AND SMT CONTACTS ONLY)  
**M80-5000000MI-XX-XXX-00-000**

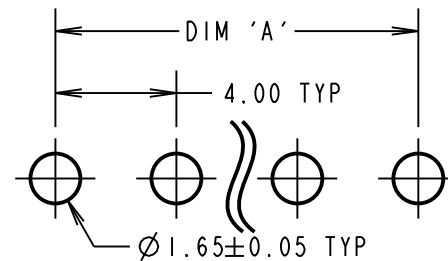
TOTAL No. OF CONTACTS  
 02 TO 12

**SPECIAL CONTACTS (PC TAIL)**  
 331 = 20A POWER CONTACT 3.0mm VERT' PC TAIL M80-331  
 332 = 20A POWER CONTACT 4.5mm VERT' PC TAIL M80-332  
 333 = 20A POWER CONTACT 3.0mm HORZ' PC TAIL M80-333  
 334 = 20A POWER CONTACT 4.5mm HORZ' PC TAIL M80-334  
 33A = 20A POWER CONTACT HORIZONTAL SMT M80-33A  
 PM1 = 40A POWER CONTACT 3.0mm VERT' PC TAIL M80-PM1  
 PM2 = 40A POWER CONTACT 4.5mm VERT' PC TAIL M80-PM2  
 PM3 = 40A POWER CONTACT 3.0mm HORZ' PC TAIL M80-PM3  
 PM4 = 40A POWER CONTACT 4.5mm HORZ' PC TAIL M80-PM4

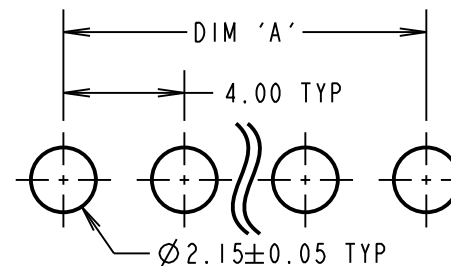
DIMENSION	CALCULATION
DIM 'A'	4 x No. OF CONTACTS - 4.00
DIM 'B'	4 x No. OF CONTACTS + 5.00
DIM 'C'	4 x No. OF CONTACTS + 10.0
DIM 'D'	M80-331 = 3.5mm, M80-332 = 5.0mm
DIM 'E'	M80-333 = 3.5mm, M80-334 = 5.0mm
DIM 'F'	M80-PM1 = 3.5mm, M80-PM2 = 5.0mm
DIM 'G'	M80-PM3 = 3.5mm, M80-PM4 = 5.0mm

EXAMPLE: CONNECTOR WITH 10 POWER CONTACTS,  
 M80-5000000MI-10-334-00-000  
 DIM 'A' = 36.00mm, DIM 'B' = 45.00mm, DIM 'C' = 50.0mm  
 DIM 'E' = 4.5mm

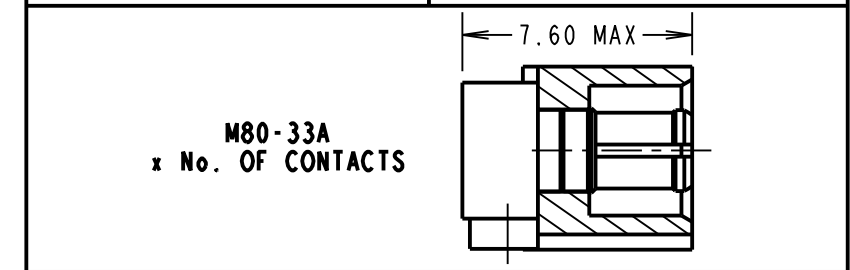
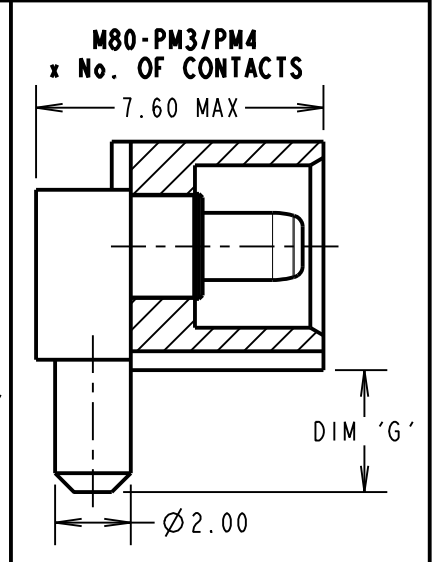
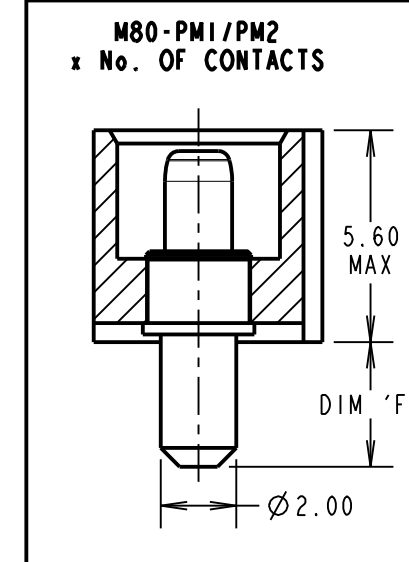
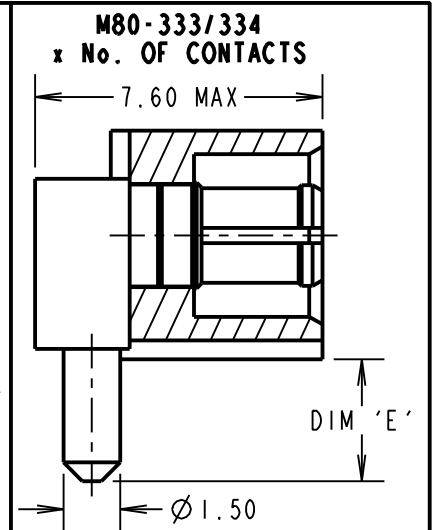
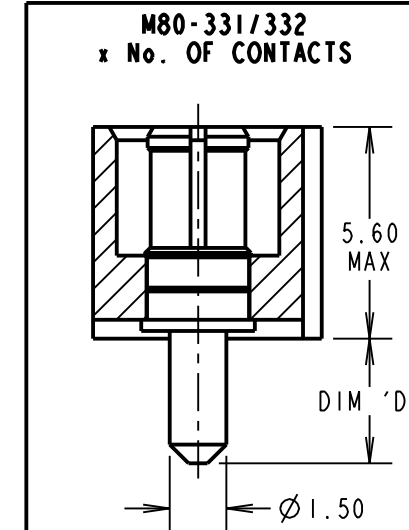
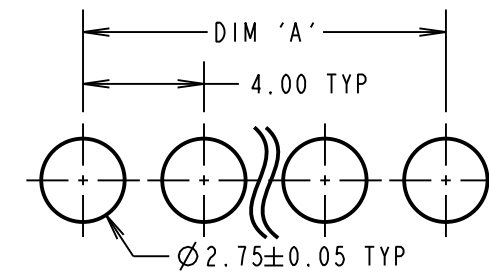
RECOMMENDED PCB LAYOUT FOR  
 M80-331/332/333/334  
 PC TAIL POWER CONTACTS



RECOMMENDED PCB LAYOUT FOR  
 M80-PM1/PM2/PM3/PM4  
 PC TAIL POWER CONTACTS



RECOMMENDED PCB LAYOUT FOR  
 M80-33A SMT POWER CONTACTS



**HARWIN**

www.harwin.com  
 technical@harwin.com

THIS DRAWING AND ANY INFORMATION OR DESCRIPTIVE MATTER SET OUT HEREON ARE CONFIDENTIAL AND COPYRIGHT PROPERTY OF THE HARWIN GROUP AND MUST NOT BE DISCLOSED, LOANED, COPIED OR USED FOR MANUFACTURING, TENDERING OR FOR ANY OTHER PURPOSE WITHOUT THEIR WRITTEN PERMISSION.

**TOLERANCES**  
 X. = ±1mm  
 X.X = ±0.50mm  
 X.XX = ±0.10mm  
 X.XXX = ±0.01mm  
**ANGLES = ±5°**  
 UNLESS STATED

**MATERIAL:**  
 SEE ABOVE  
**FINISH:** SEE ABOVE  
**S/AREA:** mm<sup>2</sup>

**TITLE:** DATAMATE MIX-TEK MALE ASSEMBLY WITH JACKSCREW

**DRAWING NUMBER:** M80-5000000MI-XX-XXX-00-000

MGP	7	22.11.18	21265
NAME	ISS.	DATE	C/NOTE
APPROVED: MGP			
CHECKED: SB			
DRAWN: R.ADDE			
CUSTOMER REF.:			
ASSEMBLY DRG:			

# Mouser Electronics

Authorized Distributor

Click to View Pricing, Inventory, Delivery & Lifecycle Information:

[Harwin:](#)

[M80-5000000M1-02-331-00-000](#) [M80-5000000M1-04-331-00-000](#) [M80-5000000M1-06-312-00-000](#) [M80-5000000M1-04-312-00-000](#) [M80-5000000M1-06-PM1-00-000](#) [M80-5000000M1-02-PM1-00-000](#) [M80-5000000M1-04-PM1-00-000](#) [M80-5000000M1-08-331-00-000](#) [M80-5000000M1-10-PM1-00-000](#) [M80-5000000M1-08-PM1-00-000](#) [M80-5000000M1-06-331-00-000](#) [M80-5000000M1-06-336-00-000](#) [M80-5000000M1-02-337-00-000](#)