

4

3

2

1

THIS DRAWING IS UNPUBLISHED.

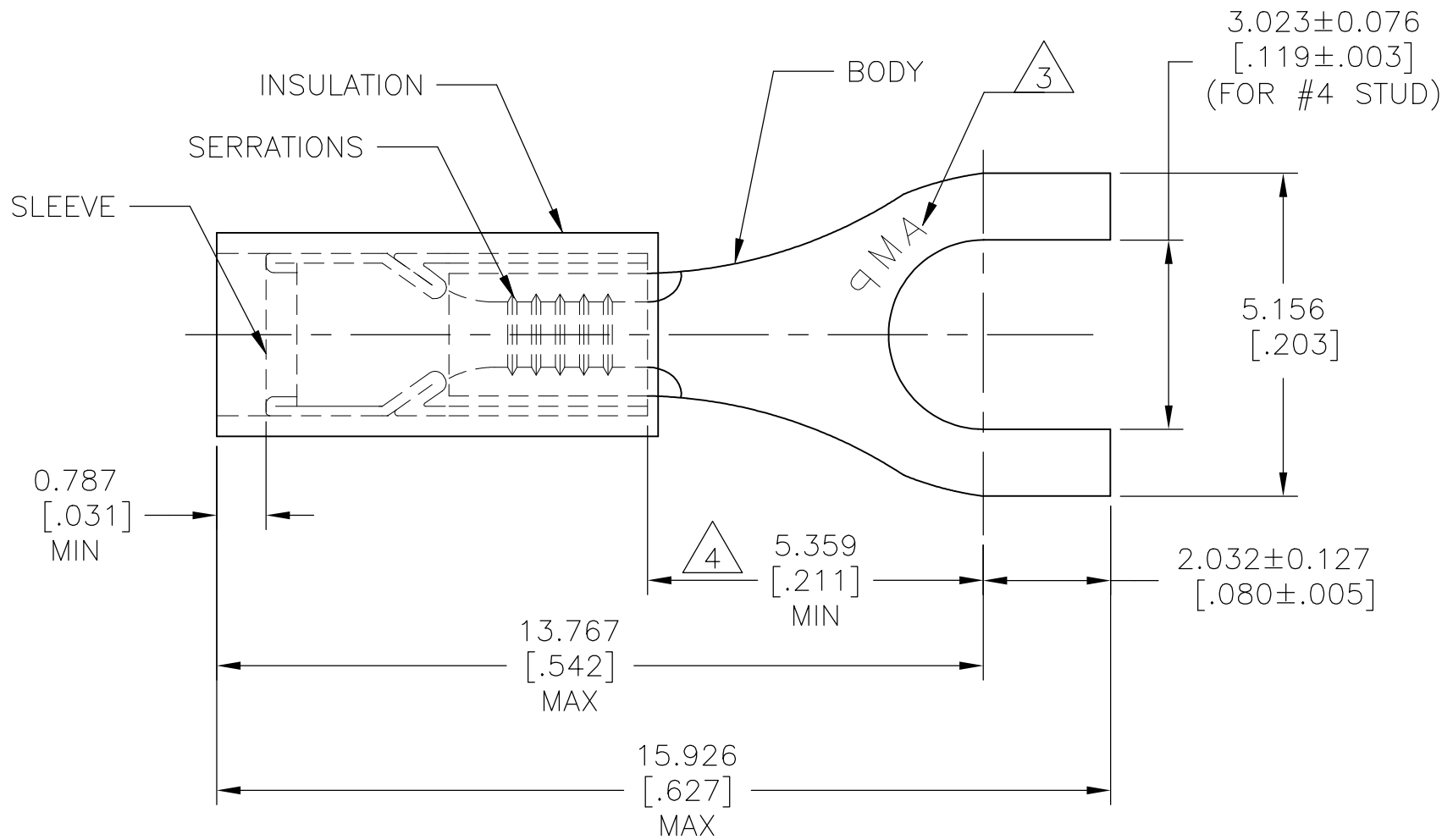
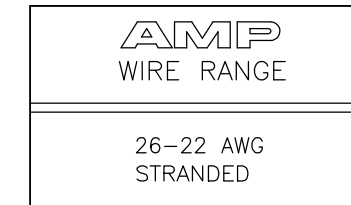
RELEASED FOR PUBLICATION

ALL RIGHTS RESERVED.

© COPYRIGHT - By -

REVISIONS

P	LTR	DESCRIPTION	DATE	DWN	APVD
	M2	NEW DRAWING PER ECO-11-019045	03APR12	KH	DR
	M3	REVISED PER ECO-17-008114	01JUN2018	RS	DR



- 1 TONGUE MATERIAL THK: 0.457±0.051[.018±.002]
- 2 FOR WIRE INSULATION DIA:1.270[.050] TO 2.083[.082]
- 3 STAMP AMP APPROX AS SHOWN
- 4 DIMENSION APPLIES FROM EDGE OF METAL WIRE BARREL TO CENTER OF STUD
- 5 MATERIAL: BODY & SLEEVE: COPPER PER ASTM B152
INSULATION : NYLON
- 6 FINISH: BODY & SLEEVE: TIN PLATE PER ASTM B545
INSULATION: COLOR-YELLOW

1000	LOOSE PC	321035
QTY	PACKAGE TYPE	PART NO

AMP INCORPORATED
CUSTOMER SERVICE SYSTEMS

THIS DRAWING IS A CONTROLLED DOCUMENT.

DWN KIRAN HOLAL 03APR12

CHK ROHDE DANIEL 03APR12

APVD ROHDE DANIEL 03APR12

PRODUCT SPEC

APPLICATION SPEC

114-2157

WEIGHT

CUSTOMER DRAWING



NAME
WIRE TERMINAL, P.I.D.G™ 26-22
SPADE #4 STUD

SIZE	CAGE CODE	DRAWING NO	RESTRICTED TO
A3	00779	C-321035	-

FOR ADDITIONAL PRODUCT INFORMATION OR COPIES OF DRAWINGS AND TECHNICAL DOCUMENTS

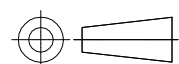
PRODUCT INFORMATION CENTER
1-800-522-6752

RECOMMENDED OPERATING TEMPERATURE:
105°C[221°F]

VOLTAGE RATING:
300 V MAX

WIRE CROSS SECTIONAL AREA RANGE:
0.10-0.41mm² [202-810] CIR.MIL STRANDED

DIMENSIONS:
mm [INCHES]



TOLERANCES UNLESS OTHERWISE SPECIFIED:

0 PLC	± -
1 PLC	± -
2 PLC	± -
3 PLC	± 0.127[.005]
4 PLC	± -
ANGLES	± 5°

MATERIAL
5

FINISH
6

FOR ORDER ENTRY
1-800-526-5142

TOOLING ASSISTANCE CENTER
1-800-722-1111

CUSTOMER DRAWING

SCALE 10:1

SHEET 1 OF 1

REV M3

Mouser Electronics

Authorized Distributor

Click to View Pricing, Inventory, Delivery & Lifecycle Information:

[TE Connectivity:](#)

[321035](#)