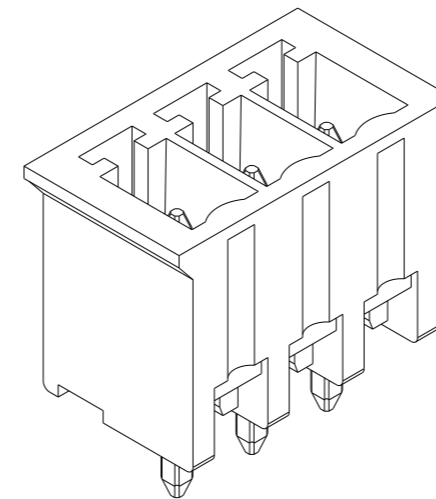
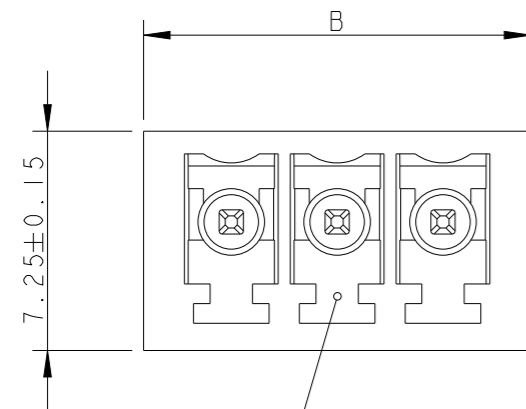
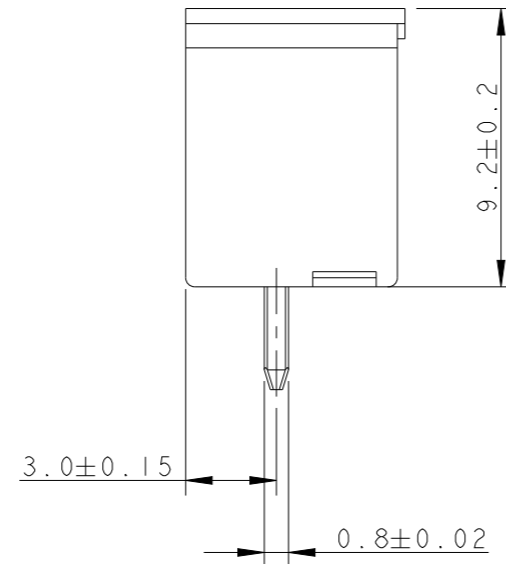
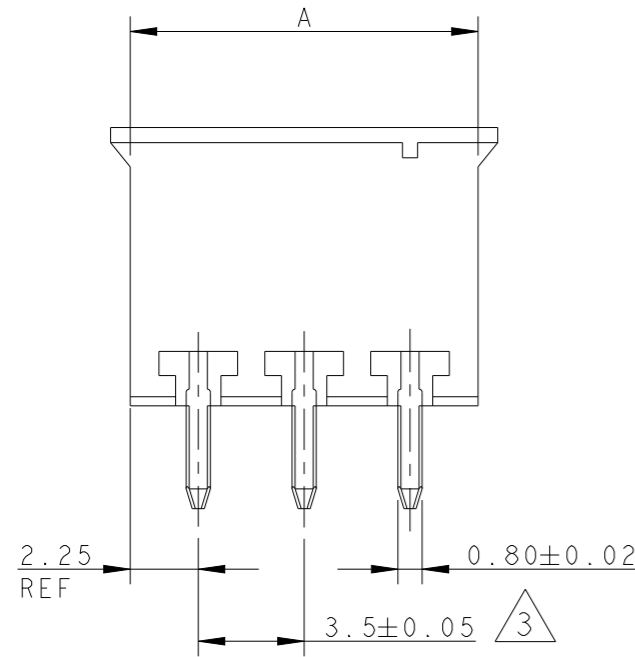


P	LTR	DESCRIPTION	DATE	DWN	APVD
	C5	REVISED PER ECO-20-006341	19JUL2021	GMN	PS



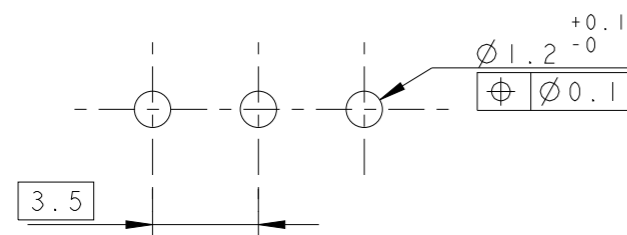
284514-3 AS SHOWN




POLARIZATION KEY SLOT

- 1 MATERIALS AND FINISH  
HOUSING : PA 6.6, UL 94-V0, COLOR GREEN  
TERMINAL : PHOSPHOR BRONZE, SEE TABLE
- 2 SUITABLE FOR 1.6-2.4 mm. PC BOARD THICKNESS
- 3 NOT CUMULATIVE TOLERANCE
- 4 PRELIMINARY PART NUMBER

PLATING	B	A	NO OF POSN	PART NUMBER		
OBSOLETE	4	AU FL	26.8	25.5	7	<del>2-284514-6</del>
		TIN	89.8	88.5	25	2-284514-5
		TIN	86.3	85.0	24	2-284514-4
		TIN	82.8	81.5	23	2-284514-3
		TIN	79.3	78.0	22	2-284514-2
		TIN	75.8	74.5	21	2-284514-1
		TIN	72.3	71.0	20	2-284514-0
		TIN	68.8	67.5	19	1-284514-9
		TIN	65.3	64.0	18	1-284514-8
		TIN	61.8	60.5	17	1-284514-7
		TIN	58.3	57.0	16	1-284514-6
		TIN	54.8	53.5	15	1-284514-5
		TIN	51.3	50.0	14	1-284514-4
		TIN	47.8	46.5	13	1-284514-3
		TIN	44.3	43.0	12	1-284514-2
		TIN	40.8	39.5	11	1-284514-1
		TIN	37.3	36.0	10	1-284514-0
		TIN	33.8	32.5	9	284514-9
		TIN	30.3	29.0	8	284514-8
		TIN	26.8	25.5	7	284514-7
		TIN	23.3	22.0	6	284514-6
		TIN	19.8	18.5	5	284514-5
		TIN	16.3	15.0	4	284514-4
		TIN	12.8	11.5	3	284514-3
		TIN	9.3	8.0	2	284514-2



RECOMMENDED PC BOARD LAYOUT

THIS DRAWING IS A CONTROLLED DOCUMENT.		DWN E. ZANOLINI 06FEB2002	 TE Connectivity	
DIMENSIONS: mm		CHK E. ZANOLINI 06FEB2002		
TOLERANCES UNLESS OTHERWISE SPECIFIED:		APVD D. BIEVENOUR 06FEB2002	NAME TERMINAL BLOCK, HEADER ASSEMBLY STRAIGHT, CLOSED ENDS 3.5mm PITCH	
0 PLC ±- 1 PLC ±.3 2 PLC ±.25 3 PLC ±- 4 PLC ±- ANGLES ±2		PRODUCT SPEC 108-20166	SIZE A300779	
MATERIAL		APPLICATION SPEC 114-20079	DRAWING NO C-284514	
FINISH		WEIGHT -	RESTRICTED TO	
		CUSTOMER DRAWING	SCALE 4:1	SHEET 1 OF 1
			REV C5	

# Mouser Electronics

Authorized Distributor

Click to View Pricing, Inventory, Delivery & Lifecycle Information:

[TE Connectivity:](#)

[284514-3](#)