

THIS DRAWING IS UNPUBLISHED.

RELEASED FOR PUBLICATION

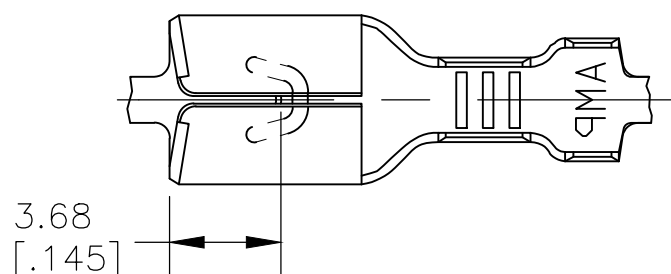
ALL RIGHTS RESERVED.

© COPYRIGHT - By -

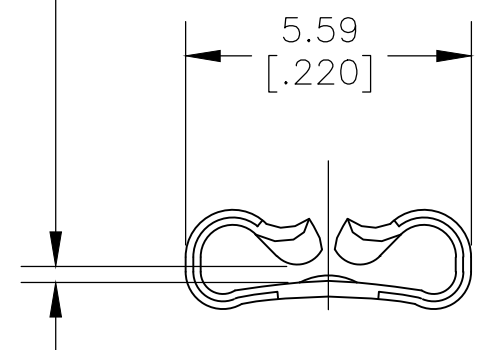
REVISIONS

P	LTR	DESCRIPTION	DATE	DWN	APVD
	A6	REVISED PER ECR-18-004893	02MAY2018	BDA	DH
	A7	REVISED PER ECR-20-009164	13JULY2020	MK	DH

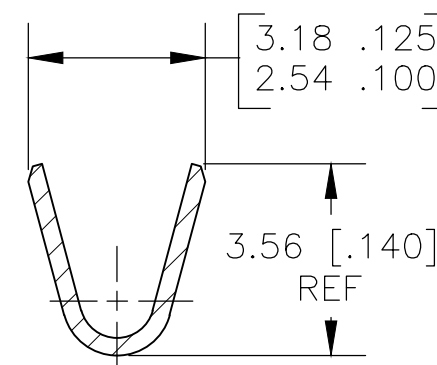
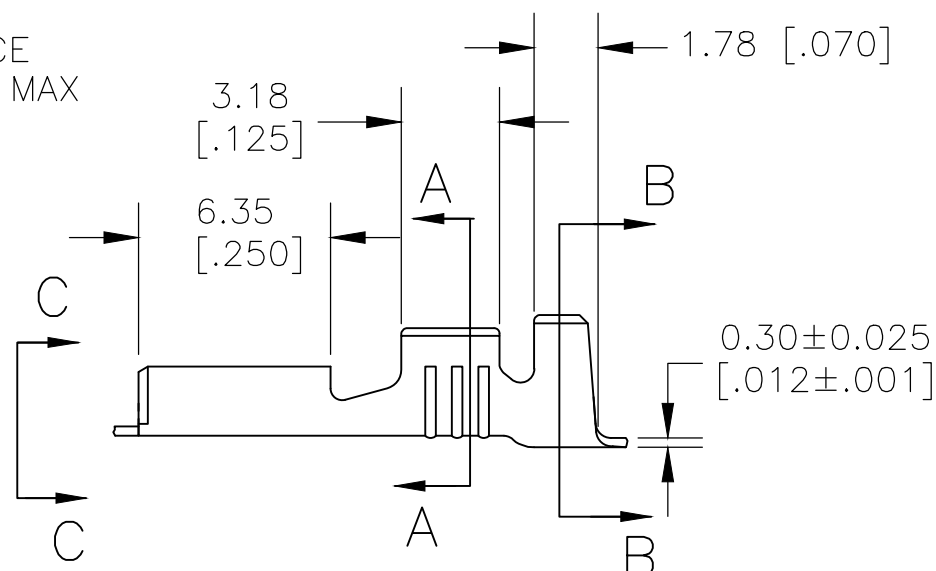
- 1 CONTINUOUS STRIP ON REELS.
- 2 WIRE SIZE #20-#16 AWG
- 3 INSULATION RANGE 2.29-3.30 [.090-.130] DIA
- 4 MATING TAB THK 0.84-0.76 [.033-.030]
- 5 UL APPROVAL FOR AWG 20-16
- 6 UL APPROVAL PENDING FOR AWG 20-16
- 7 OBSOLETE/SUPERSEDED BY PN 2238198-3



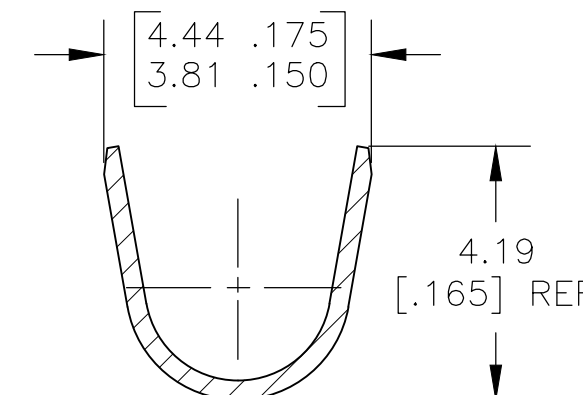
GAP AS REQUIRED TO MEET FORCE SPECIFICATIONS AND 0.71 [.028] MAX



VIEW C-C
SCALE 8:1



SECTION A-A
SCALE 8:1



SECTION B-B
SCALE 8:1

7	6	TIN	BRASS	1742883-3
	5	NICKEL PLATE	CR STEEL	1742883-1
		FINISH	MATERIAL	PART NO

THIS DRAWING IS A CONTROLLED DOCUMENT.		DWN	jr_ruth	03MAR11	STE TE Connectivity					
DIMENSIONS: MM [INCHES]		CHK	PETE DESANTIS	03MAR11						
TOLERANCES UNLESS OTHERWISE SPECIFIED:		APVD	PETE DESANTIS	03MAR11	NAME					
0 PLC ± -		PRODUCT SPEC	RECEPTACLE , FASTON, .187 SERIES			SIZE		CAGE CODE	DRAWING NO	RESTRICTED TO
1 PLC ± -		APPLICATION SPEC	-			A3		00779	C=1742883	-
2 PLC ± 0.25 [.010]		WEIGHT	-			CUSTOMER DRAWING		SCALE	SHEET	REV
3 PLC ± -								4:1	1 OF 1	A7
4 PLC ± -										
ANGLES ± 5°										
MATERIAL SEE TABLE		FINISH	SEE TABLE							

Mouser Electronics

Authorized Distributor

Click to View Pricing, Inventory, Delivery & Lifecycle Information:

[TE Connectivity:](#)

[1742883-1](#)