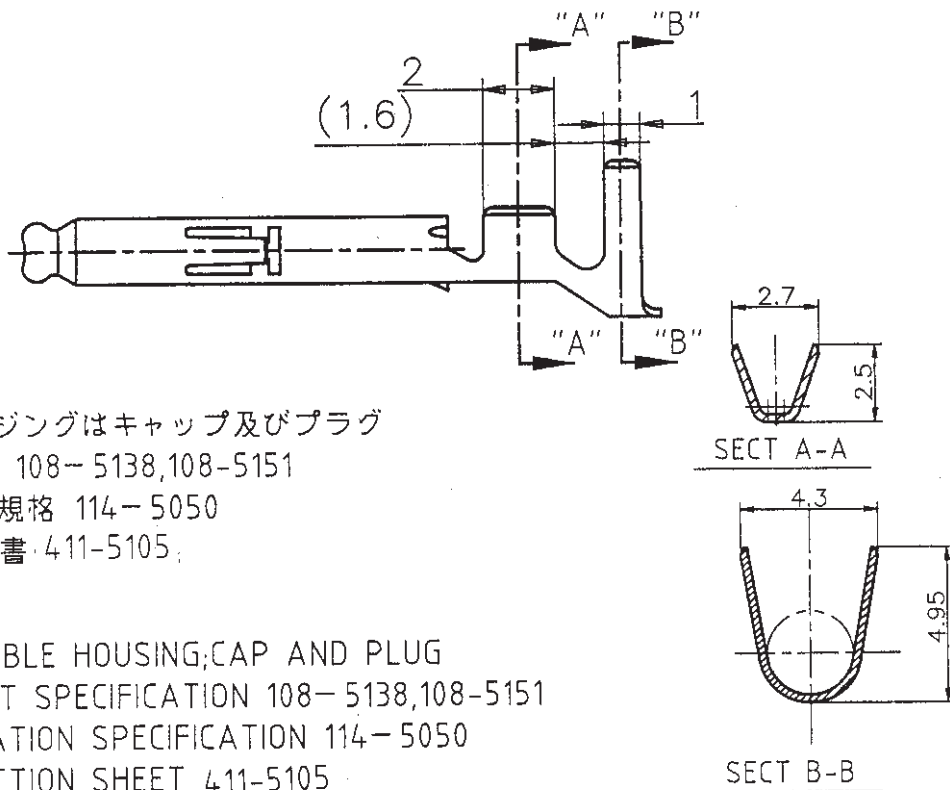
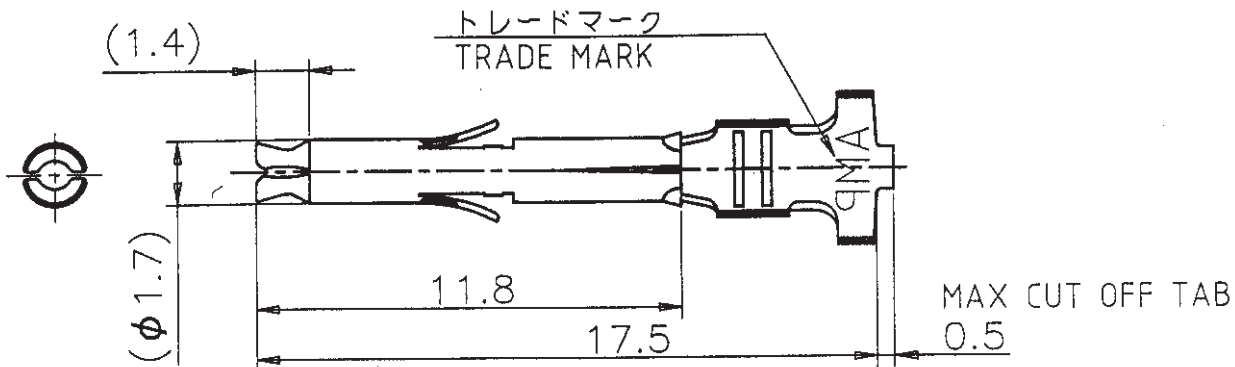


LOC		DIST		REVISIONS			DATE	DWN	APVD
P	LTR	DESCRIPTION							
	C	REVISED PER ECR-20-100878			04DEC2020	PC	SW		



注記)

- 1. 使用ハウジングはキャップ及びプラグ
- ② 製品規格 108-5138, 108-5151
- ③ 取付適用規格 114-5050
- 4. 取扱説明書 411-5105

NOTES)

- 1. APPLICABLE HOUSING; CAP AND PLUG
- ② PRODUCT SPECIFICATION 108-5138, 108-5151
- ③ APPLICATION SPECIFICATION 114-5050
- 4. INSTRUCTION SHEET 411-5105

171639-1
型番 (PART NO.)

WIRE RANGE 適合電線断面積 0.5-1.3mm ² AWG #20-16	INSULATION DIA 被覆外形 2.0-3.2mmDIA 2.4mmDIAx2
MATERIAL 材料 黄銅 (BRASS):0.25t	FINISH 仕上 PRE-TIN

DIMENSIONS: 単位 MM	DWN <i>A. Oishi</i> 16 FEB 00
TOLERANCES UNLESS OTHERWISE SPECIFIED: 一般公差 ±0.3	CHK <i>M.S.L.</i> 16 FEB 00
ANGLES ±1°	APVD <i>M.S.L.</i> 16 FEB 00
	PRODUCT SPEC 製品規格 表参照 SEE TABLE ②
	APPLICATION SPEC 取付適用規格 表参照 SEE TABLE ③

TE TE Connectivity	
NAME 名称 SOCKET (LOOSE PIECE) MINI UNIVERSAL MATE-N-LOK	
SIZE 尺貫 A4	CAGE CODE 番号 00779
DRAWING NO 番号 C=171639	RESTRICTED TO
CUSTOMER DRAWING	SCALE 5:1
SHEET 1 OF 1	REV C

参考図面

RELEASED FOR PUBLICATION

ALL RIGHTS RESERVED.

THIS DRAWING IS UNPUBLISHED.

© COPYRIGHT

Mouser Electronics

Authorized Distributor

Click to View Pricing, Inventory, Delivery & Lifecycle Information:

[TE Connectivity:](#)

[171639-1](#)