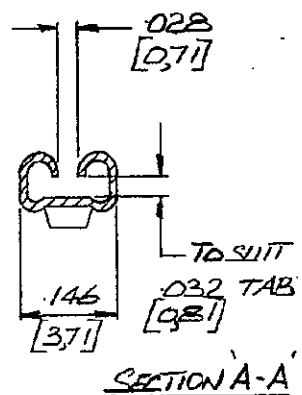
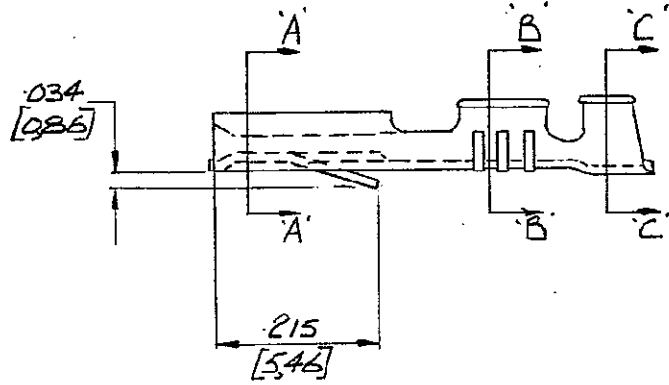
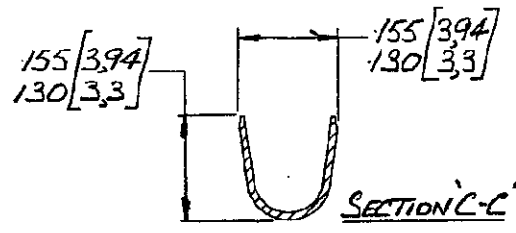
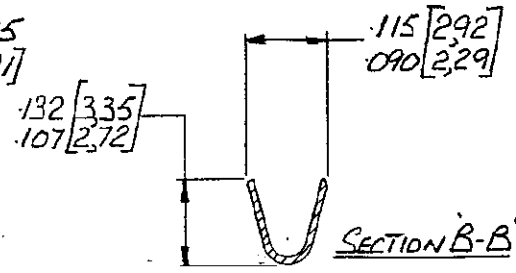
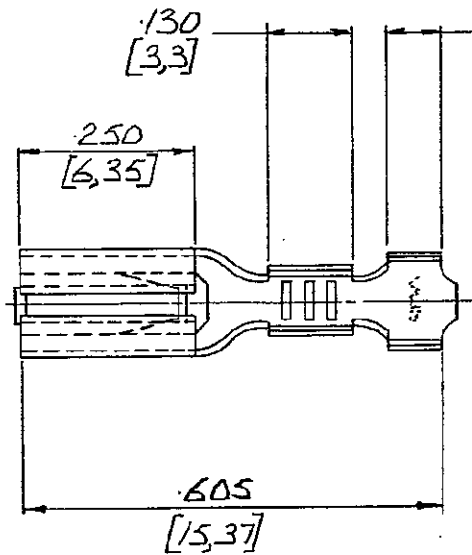


NUMBER
C/50572

3rd ANGLE (AMERICAN) PROJECTION

DIMENSIONS IN INCHES. DO NOT SCALE PRINT.
DIMENSIONS TABLE C 3 IN MM.



	150572-2	ELECTRO-TIN	REELED WITH PAPER INTERLEAVE
OBSOLETE	150572-1	PRE-TIN.	(1)
	PART NO	FINISH	

				© AIRCRAFT-MARINE PRODUCTS (GREAT BRITAIN) LTD 1968		CUSTOMER COPY REFERENCE ONLY	
M1	ECR-10-010418	RK	SRE	11FEB10	MATERIAL AND FINISH		Tyco Electronics AIRCRAFT-MARINE PRODUCTS (GREAT BRITAIN) LTD, STANMORE, MIDDX.
M	REV IN LINE WITH PROD. DRAWING ECR-0130-98	MJH		14/8/98	.010 [0,25] BRASS		
C	PAPER INTERLEAVE ADDED TO -15-2			16/11/89	SEE TABLE		CLASS
B	LANSE SKETCHES ADDED PICTORIALY	ABK		22/1/90	WIRE -- RANGE 20-16 INSULATION 080-120 [2,3-3,0]		TYPE
A	REDRAWN	P	BM	10.5.68	TOLERANCE EXCEPT AS NOTED ± .015 [0,4] ± 1°		LOC E
LTR	REVISION RECORD	DR	CHK	DATE	SCALE 4:1	NO A	REV M1
DE	P. J. LUTMAN 10.5.68	DE	R. J. AVERLEY 10.5.68		NAME MINIATURE FASTIN FASTON (110 SERIES)		
CHK	B. J. LUTMAN 10.5.68	APP					

PRINT DIST

.508

Mouser Electronics

Authorized Distributor

Click to View Pricing, Inventory, Delivery & Lifecycle Information:

[TE Connectivity:](#)

[150572-2](#)