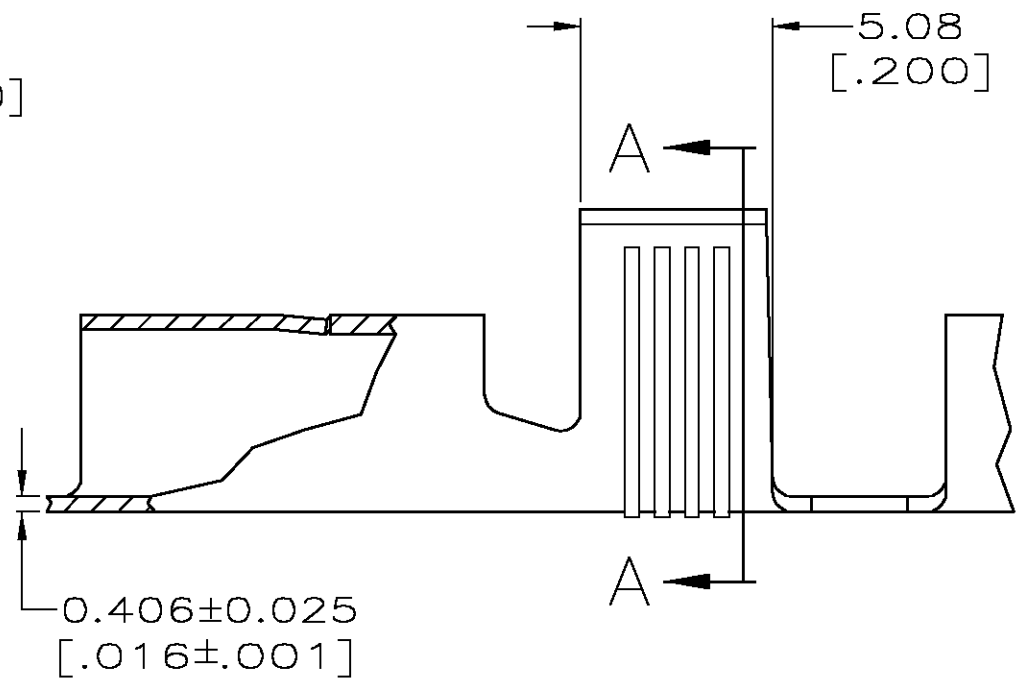
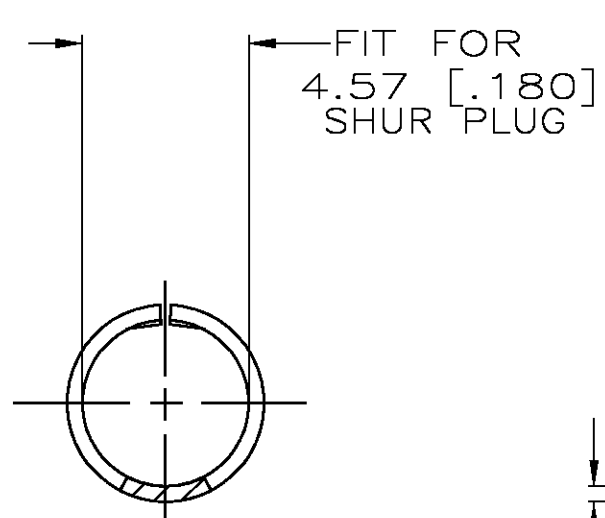
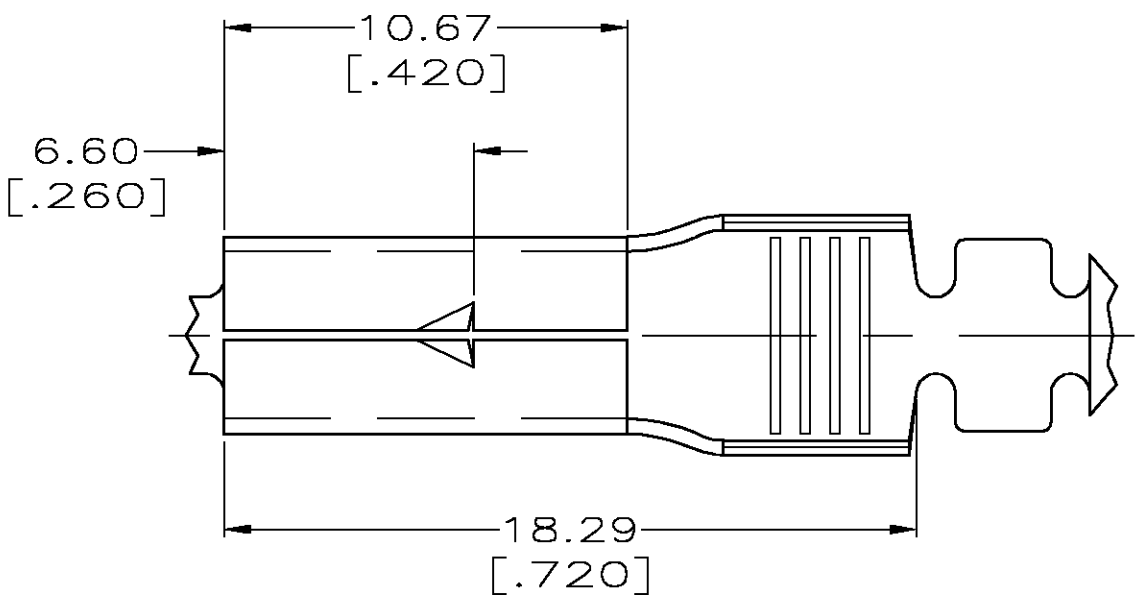
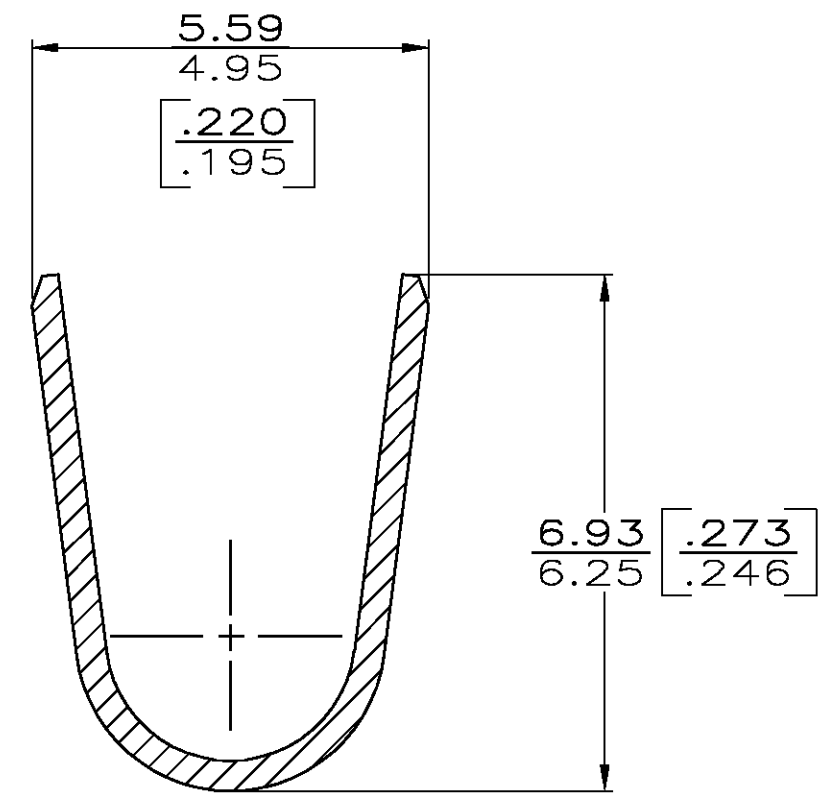


THIS DRAWING IS UNPUBLISHED. RELEASED FOR PUBLICATION
 © COPYRIGHT BY TYCO ELECTRONICS CORPORATION. ALL RIGHTS RESERVED.

| LOC | DIST | REVISIONS | | | |
|-----|------|--------------------------|---------|-----|------|
| P | LTR | DESCRIPTION | DATE | DWN | APVD |
| | C | REVISED PER 0G3A-0679-03 | 28OCT03 | JR | GY |



- 1 CONTINUOUS STRIP ON REEL.
- △2 0.002032 [.000080] MIN TIN PLATE
- △3 0.00381 [.000150] MIN NICKEL PLATE
- △4 PRELIMINARY - NOT FOR PRODUCTION



SECTION A-A
SCALE 10:1

| | | |
|------------|--------|--------------|
| 12-8 AWG | △3 | △4 1217070-2 |
| 12-8 AWG | △2 | 1217070-1 |
| WIRE RANGE | FINISH | PART NUMBER |

| | | | | |
|---|--|---------------------------------------|--|-------------------------|
| THIS DRAWING IS A CONTROLLED DOCUMENT. | | DWN PHILLIP M FORTNEY 23/FEB/98 | Tyco Electronics Corporation Harrisburg, PA 17105 | |
| DIMENSIONS: MM | | CHK JEFF R RUTH 23/FEB/98 | | |
| TOLERANCES UNLESS OTHERWISE SPECIFIED: | | APVD GARY YETTER 23/FEB/98 | NAME RECEPTACLE, SHUR PLUG, 4.57 [.180] DIA | |
| 0 PLC ± - 1 PLC ± - 2 PLC ± 0.25 [.010] 3 PLC ± - 4 PLC ± - ANGLES ± - | | PRODUCT SPEC - | SIZE A3 | |
| MATERIAL 4M BRASS | | FINISH SEE TABLE | CAGE CODE 00779 | DRAWING NO C-1217070 |
| CUSTOMER DRAWING | | | RESTRICTED TO - | SCALE 5:1 |
| | | | SHEET 1 OF 1 | REV C |

Mouser Electronics

Authorized Distributor

Click to View Pricing, Inventory, Delivery & Lifecycle Information:

[TE Connectivity:](#)

[1217070-1](#)