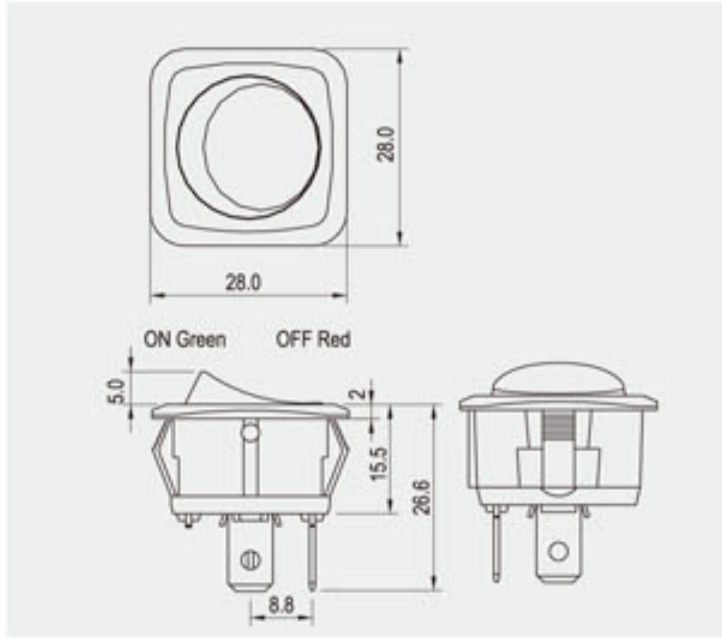
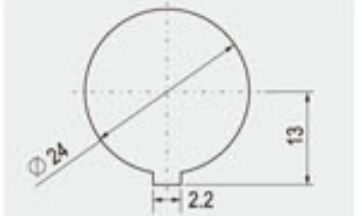


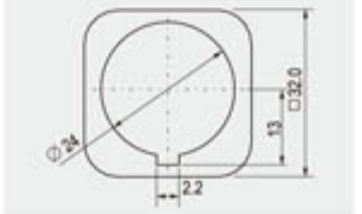
R13-203



Rating	16A 125V AC 10A 250V AC
Contact resistance	50mΩ Max
Insulation resistance	DC 500V 100MΩ Min
Dielectric strength	AC 1500V 1 minute
Cut-out	



1~4.0 mm max
Cut-out for X8 ROCKER



1~3.0 mm max

FEATURES

- * MATERIAL: Frame is nylon (UL flame: 94V-2). Terminals are silver plated brass.
- * Illuminated actuators are molded in PC, available with red, amber, green, blue and white colors.
- * Snap-in mounting, easy to install switch into panel.
- * New design AC LED.



Ordering number instruction

R13-203 [] [] [] - [] [] [] [] [] [] [] [] - [] [] [] [] [] [] [] [] - [] [] [] [] [] [] [] []

FUNCTION	ROCKER	TERMINAL
Illuminated / Different position (帶燈/動作特性不同) A L 3P SPST (LED) B 3P SPST (NEON) 125VAC 33KΩ / 250VAC 150KΩ C L 4P SPDT (LED)	1 AL,CL 2 Laser mark AL,CL 3 Green Red A,C,AL,CL 8 Waterproof cover A8,B8,C8	0 1 .250" SQ FRAME COLOR ROCKER COLOR LED COLOR(ON,ON) LED COLOR(OFF,ON) COLOR A AMBER B BLACK G GREEN C CLEAR R RED N NONE
Different position (動作特性不同) A 2P SPST C 3P SPDT		
Waterproof (防水) A 8 2P SPST B 8 3P SPST (LED) C 8 3P SPDT		
		VOLTAGE 4 125VAC(110VAC) 5 250VAC(220VAC)
		ACTUATOR MARKING Optional legend on actuator, see page A4.