
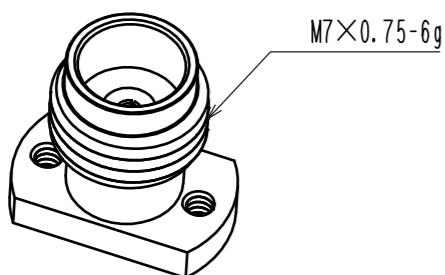
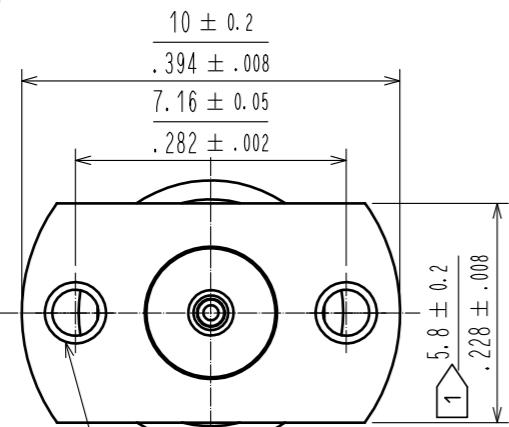
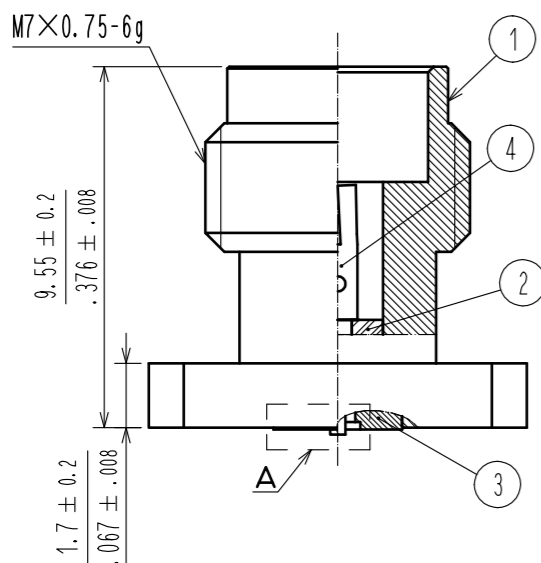
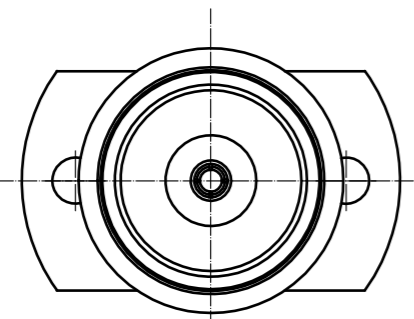


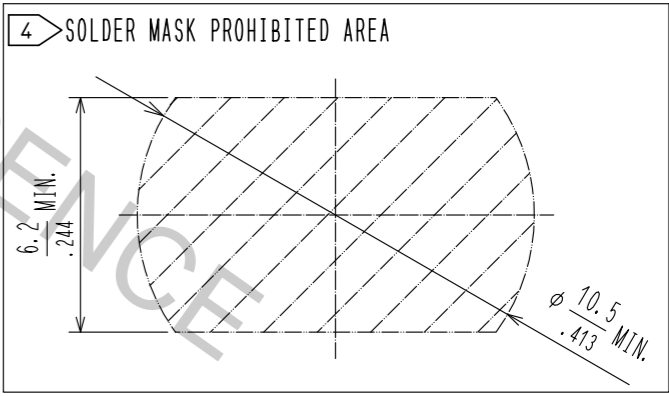
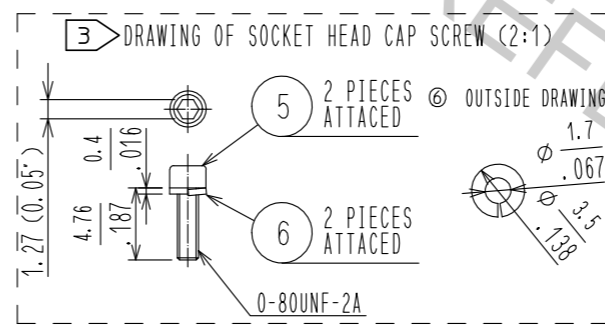
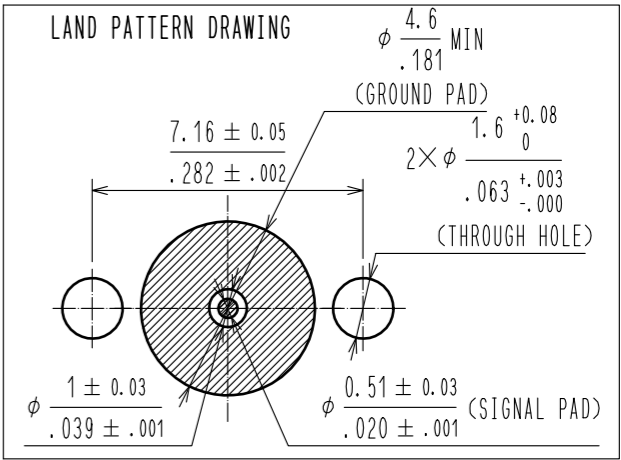
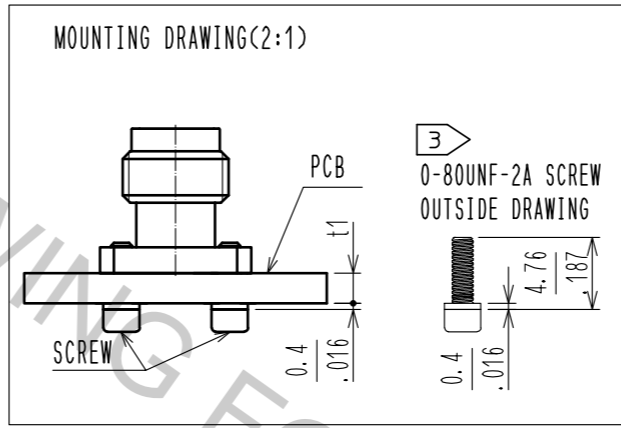
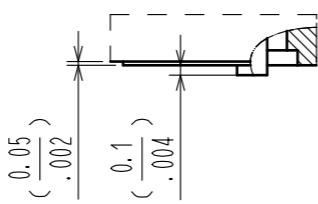
42.5Ω

Attachment: Unified HEX socket head cap thread 0-80UNF 3/16inch

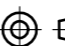
- 1 WHEN MATING THE CONNECTOR, PLEASE HOLD THE FRAISE WITH SPANNER NOT TO PLACE STRESS ON PCB BY THE TORQUE.
- 2 0-80UNF-2B SCREW TIGHTENING TORQUE IS 0.09N · m. PLEASE TIGHTEN THE SCREWS EVENLY WHEN MOUNTING THE CONNECTORS TO ENSURE STABLE ELECTRICAL CONTACT.
- 3 PLEASE USE ATTACHED SCREW AND WASHER FOR PCB MOUNTING. ATTACHED SCREW AND WASHER APPLY PCB THICKNESS t1=1.6 TO 2.65mm.
- 4  INDICATES THE AREA THAT SOLDER MASK IS PROHIBITED.
- 5. THIS CONNECTOR SHOULD BE USE FOR TEST PORT ONLY.
- 6. THIS CONNECTOR IS OPTIMIZED FOR IMPEDANCE 42.5Ω SIGNAL LINE.



A (10:1)



RoHS COMPLIANT

3	STAINLESS STEEL	GOLD PLATING	6	STAINLESS STEEL	(SPRING WASHER)
2	PTFE		5	STEEL	(0-80UNF-2A SCREW)
1	STAINLESS STEEL	PASSIVATE	4	BERYLLIUM COPPER	GOLD PLATING
NO.	MATERIAL	FINISH . REMARKS	NO.	MATERIAL	FINISH . REMARKS
UNITS		SCALE	COUNT	DESCRIPTION OF REVISIONS	
mm		5 : 1	1	DIS-D-00003223	
APPROVED : KY. SHIMIZU			16.08.30	DESIGNED	
CHECKED : TO. KATAYAMA			16.08.30	DS. YAMAKOSHI	
DESIGNED : TP. MATSUMOTO			16.08.29	CHECKED	
DRAWN : TP. MATSUMOTO			16.08.29	NK. NINOMIYA	
DATE			18.06.19		
DRAWING NO.			EDC-368164-17-01		
PART NO.			H2.4-R-SR2-IN(17)		
CODE NO.			CL338-0602-0-17		
HRS			HIROSE ELECTRIC CO., LTD.		

Dec.1.2018 Copyright 2018 HIROSE ELECTRIC CO., LTD. All Rights Reserved. In case that the application demands a high level of reliability, such as automotive, please contact a company representative for further information.

Mouser Electronics

Authorized Distributor

Click to View Pricing, Inventory, Delivery & Lifecycle Information:

[Hirose Electric:](#)

[H2.4-R-SR2-IN\(17\)](#)