

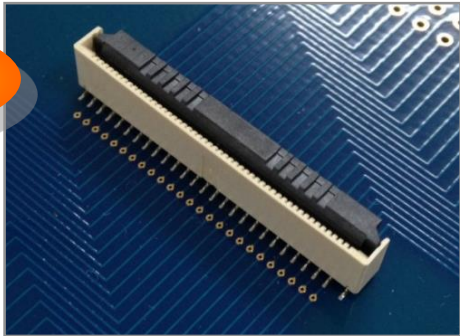


TF38 Series

0.5mm Pitch, 5.2mm Height, Double Sided Leads Vertical Mating, FPC/FFC Connector

◆ Features

Vertical Type & Easy operation!



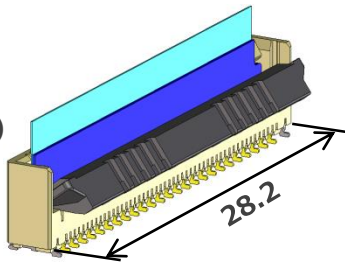
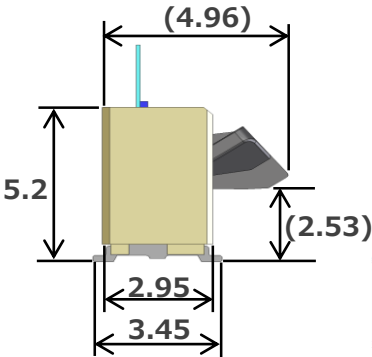
1. Vertical type FPC/FFC connector
 - 0.5mm Pitch, 5.2mm Height, 4.96mm Depth (Locked position)
2. High reliability
 - Robust lock design to prevent unintended actuator opening by bending FPC
 - High FPC retention force with FPC side-catcher design
 - Solder wicking and flux penetration prevention
3. User-friendly design
 - Simple & easy workability
4. Environmental compatibility
 - RoHS compliant, Halogen-free product*1

*1 This product satisfies halogen free requirements defined as 900 ppm maximum chlorine, 900 ppm maximum bromine, and 1500 ppm maximum total of chlorine and bromine.

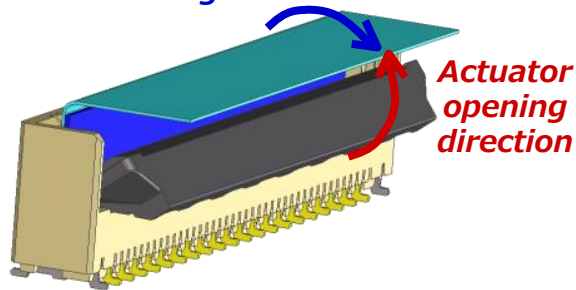
◆ Dimensions (50 pos.) [Locked position]

◆ Actuator Opening prevention design

Unit : mm



FPC bending direction



Actuator does not open by bending FPC because actuator opening direction is opposite from FPC bending direction.

⇒ Prevents unintended actuator opening

※ Variations : 18 to 60 pos.

◆ Specifications

Contact Resistance *2	50mΩ Max.
Withstanding Voltage	150V AC for 1minute
Insulation Resistance	500MΩ Min. (100V DC)
Rated Current	0.5A
Rated Voltage	AC/DC 50V
FPC/FFC Thickness	0.3±0.03mm

*2 FPC/FFC resistance is included.

※Specifications herein are subject to change without notice. Contact Hirose for latest specifications, drawings or availabilities.

Mouser Electronics

Authorized Distributor

Click to View Pricing, Inventory, Delivery & Lifecycle Information:

[Hirose Electric:](#)

[TF38-60S-0.5SV\(830\)](#)