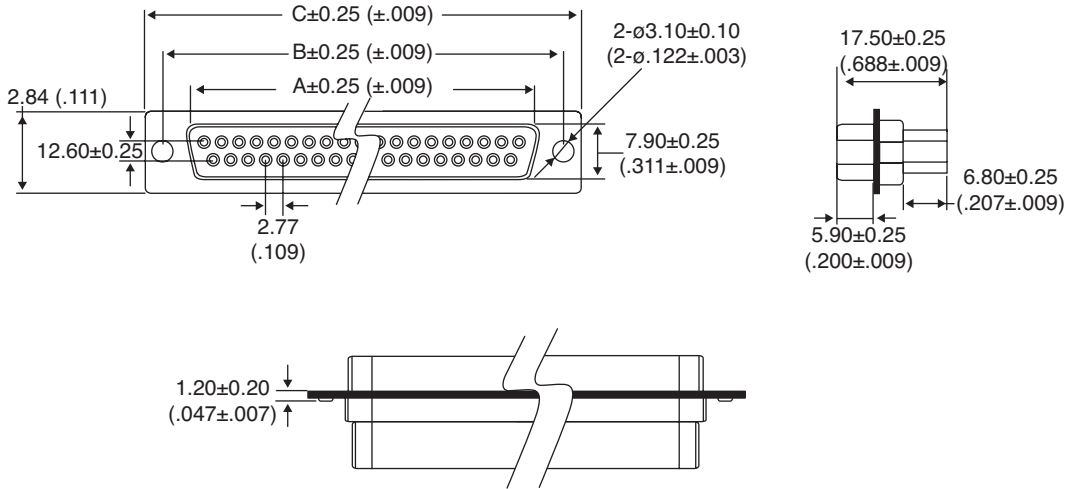


# D-Sub Connectors Crimp Housing (Female)

156-1409-E, 156-1415-E, 156-1425-E



D-Sub Connectors Crimp Housing (Female)



Dimensions: mm (in.)

Mouser Stock No.	No. of Contacts	Dimensions: mm		
		A	B	C
156-1409-E	9F	16.30	25.00	30.80
156-1415-E	15F	24.70	33.32	39.20
156-1425-E	25F	38.40	47.04	53.05

MATERIALS	
Front Insulator:	P.B.T. Black
Back Insulator:	PA66 Black
Contact:	Brass, t=0.20mm Gold Flashed
Shell:	Cold rolled steel, t=0.40mm
	Tin/Nickel/2 in. Plated

ELECTRICAL	
Current Rating:	1A Max.
Dielectric Withstanding Voltage:	500 V(ac) for 1 minute
Contact Resistance:	30MΩ Max.
Insulation Resistance:	1000MΩ min. @ 500V
Total Mating Force:	7.0 Kgf Max.
Total Unmating Force:	4.0 Kgf Min.
Temperature Range:	-55°C ~ +105°C
RoHS Compliant	

56-1409-E, 156-1415-E, 156-1425-E

Date Last Revised: 09-12-07

Available from Mouser Electronics  
1-800-346-6873 / www.mouser.com

KC-301177

Specifications are subject to change without notice. No liability or warranty implied by this information. Environmental compliance based on producer documentation.

# Mouser Electronics

Authorized Distributor

Click to View Pricing, Inventory, Delivery & Lifecycle Information:

[Kobiconn:](#)

[156-1409-E](#) [156-1415-E](#) [156-1425-E](#)