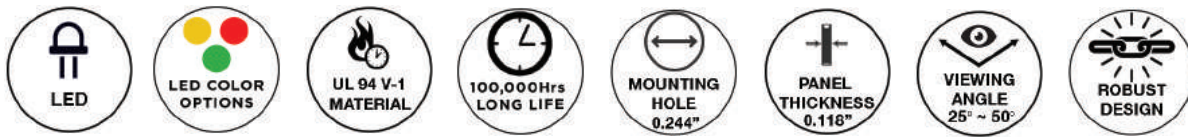




L63 Series 3mm LED Robust Panel Mount Indicator Mounting Hole 0.244" (6.2mm)



L63 is available in a robust body and protruding LED position, supplied with lock washer and hex nut, in three different diffused LEDs colors



Applications

- Industrial
- Transportation
- Food Service
- People Movers
- Medical
- Maritime
- Oil and Gas Industry
- Manufacturing
- Automation & Control

Key Features

- Mounting Hole Size: 0.244" (6.2mm)
- Max. Panel Thickness: 0.118" (3.0mm)
- Max. Mounting Torque: 5.9 lbs-in (6.8kg-cm)
- Three colors available: Red, Green, Yellow
- Low power consumption
- Body Material: Brass, chromium plated
- Base Material: Phenolic (UL94 V-1)
- Diffused T-1 (3mm) LED
- Viewing angle: from 25° to 50°
- Straight leads terminals
- Operating Voltage of 2 ~ 3.2 VDC
- Front panel mounting
- Life expectancy of 100,000 hours
- High brightness LEDs for daylight viewing
- Mounting hardware provided. Fixing nut and washer included
- Protruding LED position
- Low power consumption
- Compliant with RoHS and REACH requirements
- Order gasket separately to provide water, oil, air and dust tight.
- For customized options, please contact us

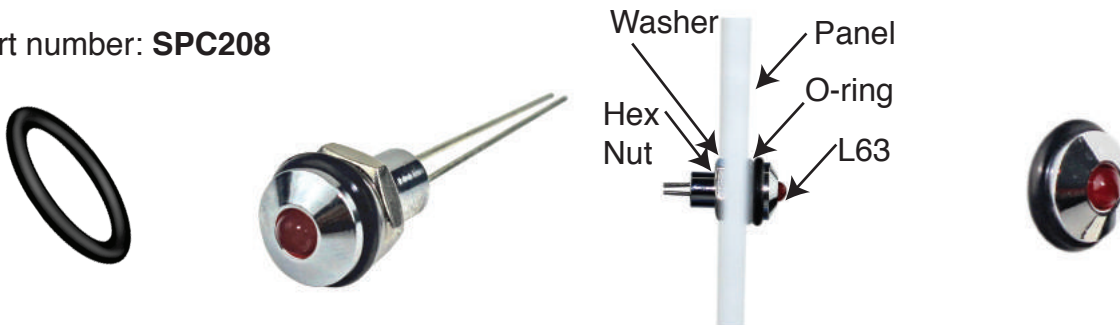
Ordering Data

The L63 Series is available in a range of standard features and options. To specify your Panel Mount Indicator, simply choose one option from each column.

Series	LED Size	LED Type Lens	Color	Termination Style
L	63	D		L
	3mm LED	Diffused		Straight Leads
Diffused Green	L63DG2L		Green	G2
Diffused Red	L63DR2L		Red	R2
Diffused Yellow	L63DY2L		Yellow	Y2
				luminous intensity (Typ)
				30 mcd
				60 mcd
				30 mcd

Accessories Ordering Data [order separately]

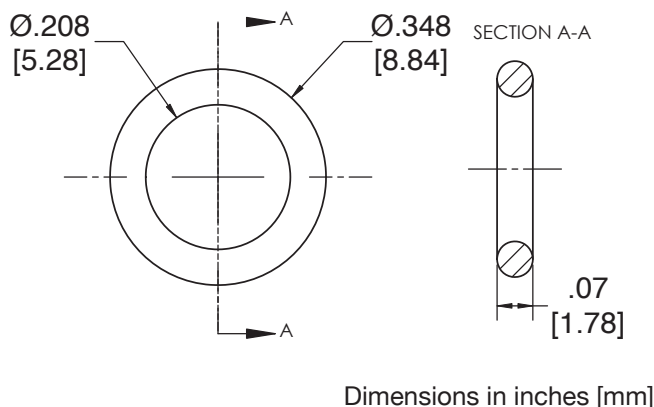
O-ring part number: **SPC208**



The Gasket O-ring SPC208 for the L63 Series is designed to seal many types of media, including water, air, dust, and oil.

The panel gasket is intended to provide a seal between the panel and the L63 Panel Mount Indicator.

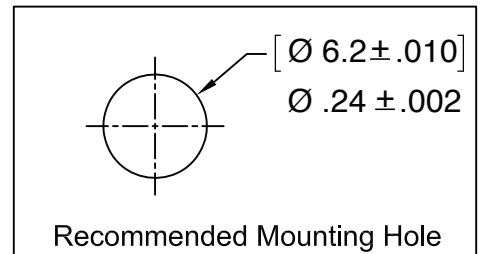
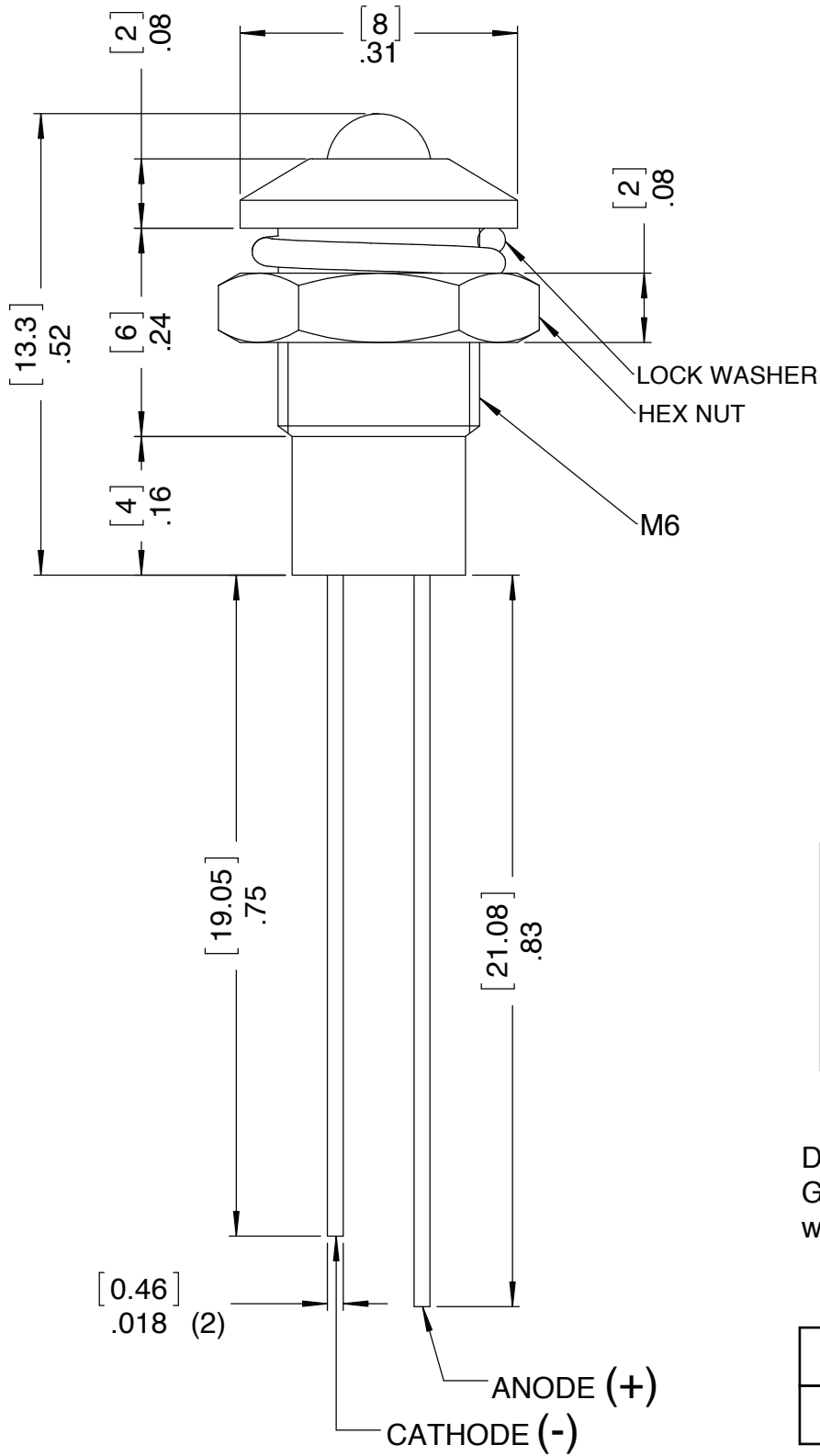
Meets ASTM D2000 standard.



Material	
Buna-N, Durometer A70, black	

Installation Specification	
Internal Diameter	0.208" (5.28 mm)
Thickness	0.07" (1.78 mm)
Operational Temperature	-20°F to +250°F -28.9°C to +121.1°C

Product Dimensions



Dimensions in [mm] inches
General tolerances unless otherwise specified:

	inches	mm
.X	±.020	±.508
.XX	±.010	±.254

Product Specifications

Materials	
Body	Brass, Chromium Plated
Base	Phenolic UL 94 V-1

Temperature Specifications	
Operating Temperature	-25°C to +80°C -13°F to +176°F
Storage Temperature	-25°C to +85°C -13°F to +185°F

Installation Specifications	
Mounting Hole	0.244" (6.2 mm)
Mounting Torque	5.9 lbf-in (6.8 kgf-cm)
Panel Thickness	0.019" to 0.118" (0.5 to 3.0 mm)
Straight Leads Terminals	Anode(+): 21.08" (0.83 mm) Cathode(-): 19.05" (0.75 mm)

LED Color	V _F (V)			I _F (mA)	Viewing angle
	min.	typ.	max.		
Green Diffused	2.8	3.2	3.6	20	25
Red Diffused	1.8	2.1	2.5	20	25
Yellow Diffused	1.8	2.0	2.45	20	50

LED Color	Wavelength (nm)	Luminosity (mcd)
Green	568-573	30
Red	630-635	60
Yellow	590-595	30

Compliances and Approvals



Mouser Electronics

Authorized Distributor

Click to View Pricing, Inventory, Delivery & Lifecycle Information:

VCC:

[L63DY2L](#) [L63DG2L](#) [L63DR2L](#)