

5

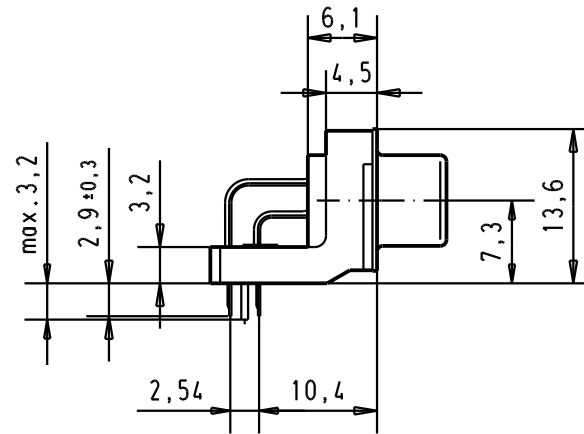
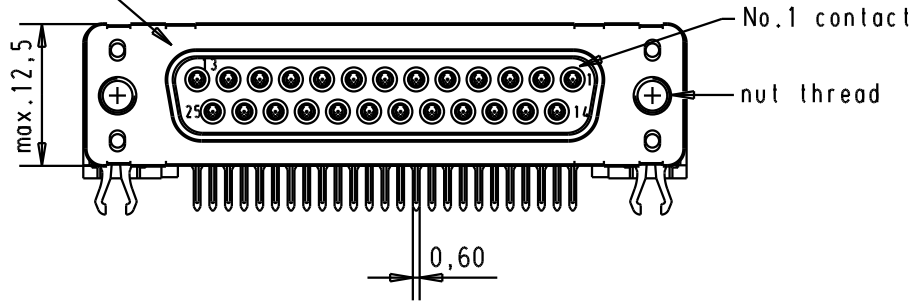
4

3

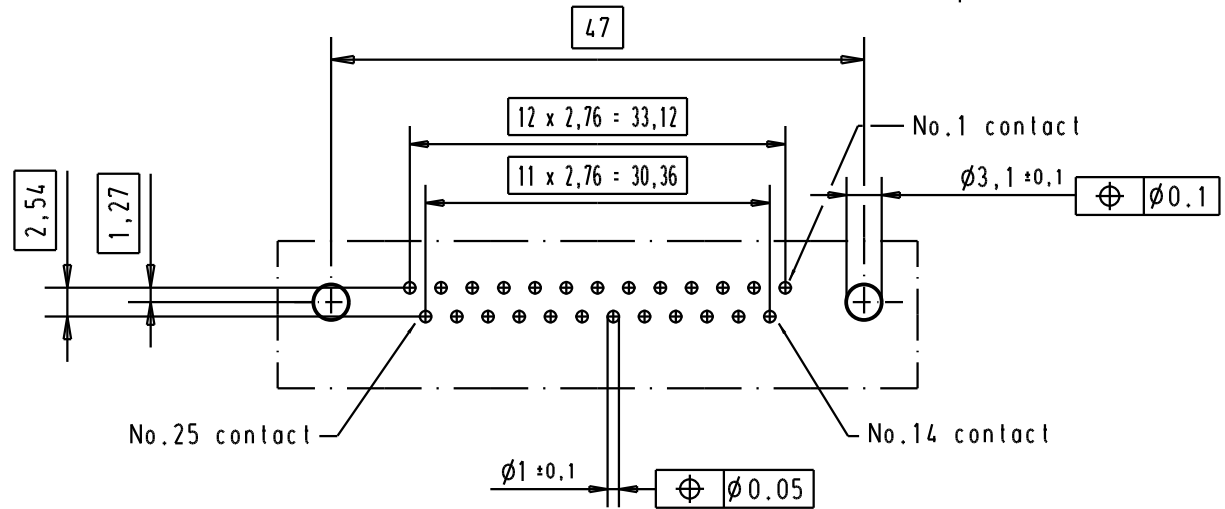
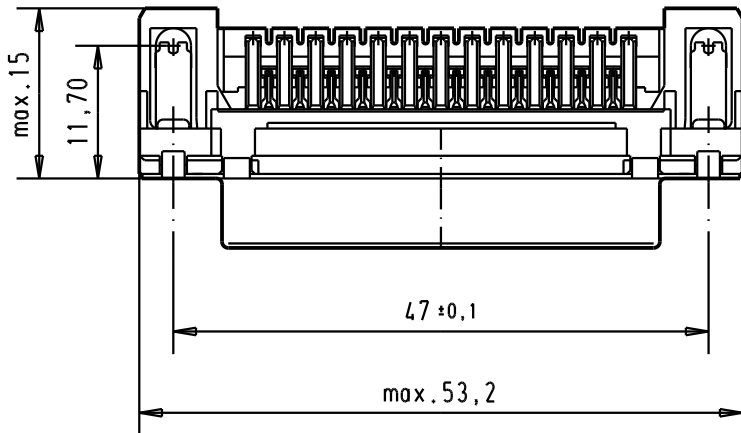
2

1

Mating face according to : MIL-C-24308 / DIN 41652 / CECC 75301-802



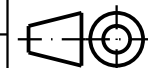
PCB layout hole component side



Connector retention and insertion forces on the PCB = 25 / 80 newtons

A

09 66 352 3611	M 3	1											
09 66 352 6611	M 3	2											
09 66 352 7611	M 3	3											
09 66 352 3612	4-40 UNC	1	31892	05/05/04	JH								
09 66 352 6612	4-40 UNC	2	31084	04/SEP/02	YT								
09 66 352 7612	4-40 UNC	3	27960	06/dec/00	ALSPACE								
Part number	Nut thread	Performance level	Mod.	Dat.	Name	HARTING EURL F-95972 Paris				TB 0966352x61x		Moßstab/ Scale 1.5:1	Blatt/ Page 5 / 5



All Dim. in mm
Orig. Size DIN A 4

D-Sub 25 poles standard angle female, solder pin with nut and grounding board lock.

Sub.