

Data Sheet | Item Number: 216-246

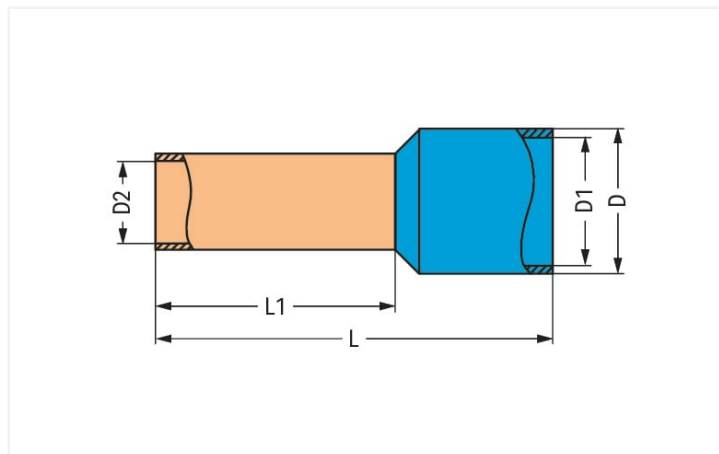
Ferrule; Sleeve for 2.5 mm² / AWG 14; insulated; electro-tin plated; electrolytic copper; gastight crimped; acc. to DIN 46228, Part 4/09.90; blue

<https://www.wago.com/216-246>



Color: ■ blue

Similar to illustration



Dimensions in mm

Technical data

Main product function	Ferrule
Sleeve cross-section (AWG)	14 AWG
Sleeve for	2.5 mm ²

Connection data

Strip length	12 mm / 0.47 inches
--------------	---------------------

Physical data

Length	17 mm
Length 1	10 mm
Diameter	4.7 mm
Diameter 1	4.2 mm
Diameter 2	2.2 mm

Mechanical Data

Suitable	2002 Series
----------	-------------

Material Data

Color	blue
Fire load	0 MJ
Weight	0.2 g

Commercial data

PU (SPU)	1000 pcs
Packaging type	Box
Country of origin	DE
GTIN	4044918051101
Customs tariff number	85369010000

Downloads

Environmental Product Compliance

Compliance Search

Environmental Product Compliance 216-246	
--	--

Documentation

Bid Text

216-246	19.02.2019	xml 2.80 KB	
216-246	11.09.2017	doc 23.50 KB	

Installation Notes

