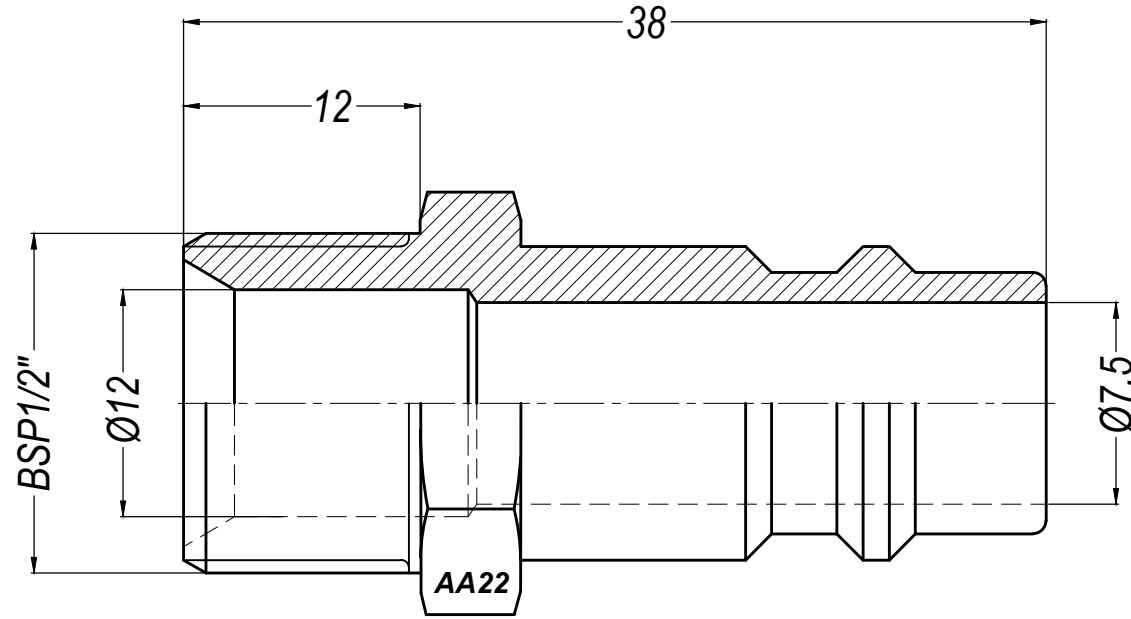


Drawing

RS PRO Drawing

Stock No: 667-1951



Date	03.11.2022	Material	9SMnPb28K	General Dimension Tolerances					Code
Draw	A.Sefa ÇELİK	Plated	Nickel	mm	0,5-3	3-6	6-30	30-120	120-300
Control	Pınar GÖKLÜBERK	Seals		\varnothing	$\pm 0,05$	$\pm 0,05$	$\pm 0,10$	$\pm 0,15$	$\pm 0,20$
Scale	1/1	Weight		Length	$\pm 0,10$	$\pm 0,10$	$\pm 0,20$	$\pm 0,30$	$\pm 0,50$