

# SMKDS 3/ 3 - PCB terminal block



1713037

<https://www.phoenixcontact.com/us/products/1713037>

Please be informed that the data shown in this PDF document is generated from our Online Catalog. Please find the complete data in the user documentation. Our General Terms of Use for Downloads are valid.



PCB terminal block, nominal current: 24 A, rated voltage (III/2): 400 V, nominal cross section: 2.5 mm<sup>2</sup>, number of potentials: 3, number of rows: 1, number of positions per row: 3, product range: SMKDS 3, pitch: 5 mm, connection method: Screw connection with tension sleeve, screw head form: L Slotted, mounting: Wave soldering, conductor/PCB connection direction: 55 °, color: green, Pin layout: Linear pinning, Solder pin [P]: 4.5 mm, number of solder pins per potential: 1, type of packaging: packed in cardboard. The article can be aligned to create different nos. of positions!

## Your advantages

- Well-known connection principle allows worldwide use
- Low temperature rise, thanks to maximum contact force
- Allows connection of two conductors
- Angled connection enables multi-row arrangement on the PCB
- Integrated protective guide prevents incorrect insertion of the conductor underneath the tension sleeve
- The latching on the side enables various numbers of positions to be combined

## Commercial Data

Item number	1713037
Packing unit	1 pc
Minimum order quantity	100 pc
Sales Key	AA13
Product Key	AAMFIP
Catalog Page	Page 107 (C-1-2013)
GTIN	4017918023881
Weight per Piece (including packing)	5.95 g
Weight per Piece (excluding packing)	5.563 g
Customs tariff number	85369010
Country of origin	DE

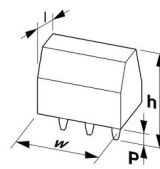
# SMKDS 3/ 3 - PCB terminal block

1713037

<https://www.phoenixcontact.com/us/products/1713037>

## Technical Data

### Dimensions

Dimensional drawing	
Pitch	5 mm
Width [w]	15 mm
Height [h]	22.5 mm
Length [l]	16 mm
Installed height	18 mm
Solder pin length [P]	4.5 mm

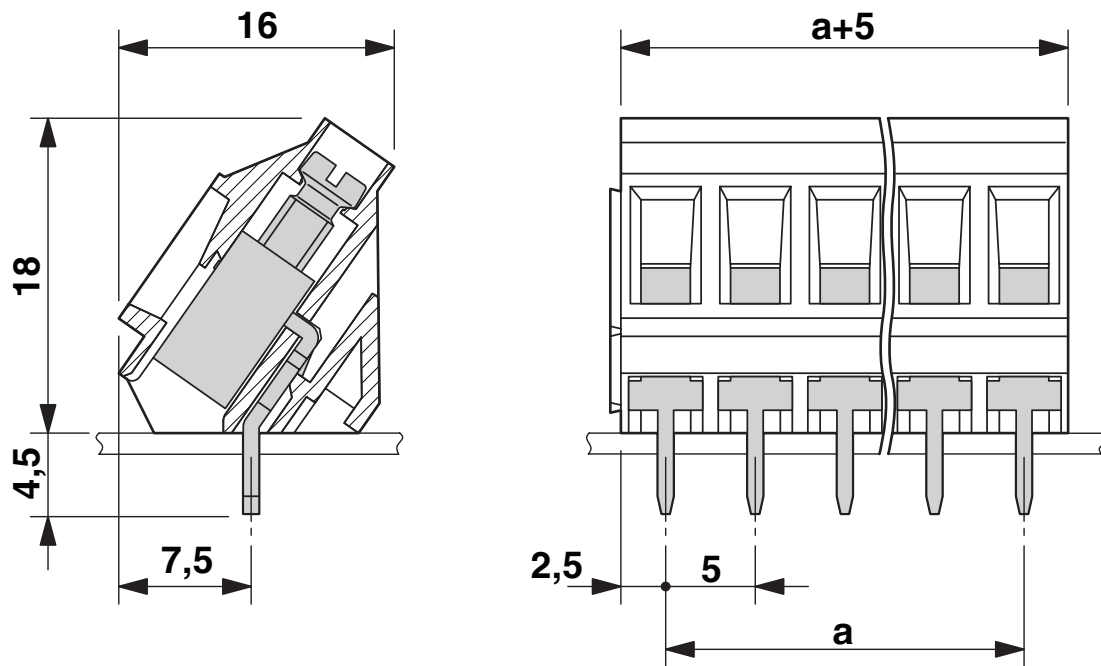
# SMKDS 3/ 3 - PCB terminal block

1713037

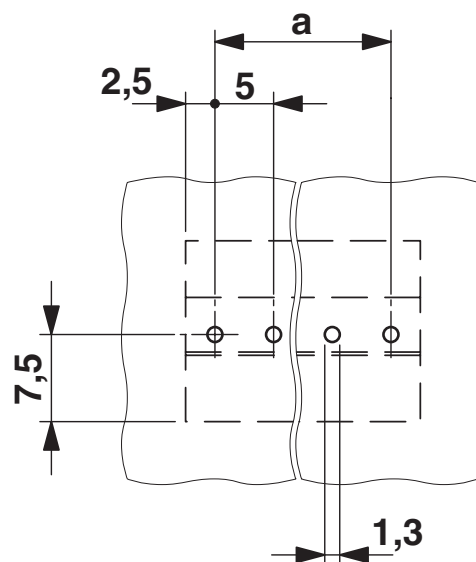
<https://www.phoenixcontact.com/us/products/1713037>

## Drawings

Dimensional drawing



Drilling plan/solder pad geometry



# SMKDS 3/ 3 - PCB terminal block




1713037

<https://www.phoenixcontact.com/us/products/1713037>

## Approvals

 **CSA**  
Approval ID: 13631

 **EAC**  
Approval ID: B.01687

 **cULus Recognized**  
Approval ID: E60425-19870331

 **IECEE CB Scheme**  
Approval ID: DE1-66542

 **VDE Zeichengenehmigung**  
Approval ID: 40055394

# SMKDS 3/ 3 - PCB terminal block



1713037

<https://www.phoenixcontact.com/us/products/1713037>

## Classifications

### ECLASS

ECLASS-10.0.1	27440401
ECLASS-11.0	27460101
ECLASS-12.0	27460101

### ETIM

ETIM 8.0	EC002643
----------	----------

### UNSPSC

UNSPSC 21.0	39121400
-------------	----------

# SMKDS 3/ 3 - PCB terminal block



1713037

<https://www.phoenixcontact.com/us/products/1713037>

## Environmental Product Compliance

China RoHS	Environmentally friendly use period: unlimited = EFUP-e
	No hazardous substances above threshold values

# SMKDS 3/ 3 - PCB terminal block

1713037

<https://www.phoenixcontact.com/us/products/1713037>

## Accessories

### SK 5/3,8:FORTL.ZAHLEN - Marker card

0804183

<https://www.phoenixcontact.com/us/products/0804183>



Marker card, white, labeled, horizontal: consecutive numbers 1 ... 10, 11 ... 20, etc. up to 91 ... (99)100, mounting type: adhesive, for terminal block width: 5 mm, lettering field size: 5 x 3.8 mm

---

### SZS 0,6X3,5 - Screwdriver

1205053

<https://www.phoenixcontact.com/us/products/1205053>



Actuation tool, for ST terminal blocks, insulated, also suitable for use as a bladed screwdriver, size: 0.6 x 3.5 x 100 mm, 2-component grip, with non-slip grip

# SMKDS 3/ 3 - PCB terminal block

1713037

<https://www.phoenixcontact.com/us/products/1713037>



## EBP 2- 5 - Insertion bridge

1733169

<https://www.phoenixcontact.com/us/products/1733169>

Insertion bridge for connectors with 5.0 mm or 5.08 mm pitch



---

Phoenix Contact 2023 © - all rights reserved

<https://www.phoenixcontact.com>

Phoenix Contact USA  
586 Fulling Mill Road  
Middletown, PA 17057, United States  
(+717) 944-1300  
[info@phoenixcon.com](mailto:info@phoenixcon.com)