



Please note that Cypress is an Infineon Technologies Company.

The document following this cover page is marked as “Cypress” document as this is the company that originally developed the product. Please note that Infineon will continue to offer the product to new and existing customers as part of the Infineon product portfolio.

Continuity of document content

The fact that Infineon offers the following product as part of the Infineon product portfolio does not lead to any changes to this document. Future revisions will occur when appropriate, and any changes will be set out on the document history page.

Continuity of ordering part numbers

Infineon continues to support existing part numbers. Please continue to use the ordering part numbers listed in the datasheet for ordering.

Programmable System-on-Chip (PSoC)

General Description

Cypress' PSoC[®] Analog Coprocessor is a scalable and reconfigurable platform architecture of programmable analog coprocessors that simplify designing embedded systems with multiple sensors. The PSoC Analog Coprocessor device combines PSoC's flexible Analog Front Ends, programmable analog filters, and high-resolution analog-to-digital converters along with an efficient yet powerful 32-bit Arm[®] Cortex™-M0+ based signal processing engine – enabling host processors to easily fetch aggregated, pre-processed, and formatted complex sensor data over serial communication interfaces.

Features

Programmable Analog Blocks

- A switched-capacitor Universal Analog Block (UAB) programmable via PSoC Creator as a second-order analog filter, a 12-bit Incremental Delta-Sigma ADC, or two 13-bit Voltage DACs
- Two dedicated analog-to-digital converters (ADC) including a 12-bit SAR ADC and a 10-bit single-slope ADC
- Four opamps, two low-power comparators, and a flexible 38-channel analog mux to create custom Analog Front Ends (AFE)
- Two 7-bit Current DACs (IDACs) for general-purpose or capacitive sensing applications on any pin

CapSense[®] Capacitive Sensing

- Cypress's fourth-generation CapSense Sigma-Delta (CSD) providing best-in-class signal-to-noise ratio (SNR) and water tolerance
- Cypress-supplied software component makes capacitive sensing design easy
- Automatic hardware tuning (SmartSense™)

Segment LCD Drive

- LCD drive supported on all pins (common or segment)
- Operates in Deep-Sleep mode with four bits per pin memory

Programmable Digital Peripherals

- Three independent serial communication blocks (SCBs) that are run-time configurable as I2C, SPI or UART
- Eight 16-bit timer/counter/pulse-width modulator (TCPWM) blocks with center-aligned, edge, and pseudo-random modes

32-bit Signal Processing Engine

- Arm Cortex-M0+ CPU up to 48 MHz
- Up to 32 KB of flash with read accelerator
- Up to 4 KB of SRAM
- Eight-channel descriptor-based DMA controller

Low-Power Operation

- 1.71-V to 5.5-V operation
- Deep-Sleep mode with operational analog and 2.5- μ A digital system current
- Watch Crystal Oscillator (WCO)

Programmable GPIO Pins

- Up to 38 GPIOs that can be used for analog, digital, CapSense, or LCD functions with programmable drive modes, strength and slew rates
- Includes eight Smart I/Os to implement pin-level Boolean operations on input and output signals
- 48-pin QFN, 48-pin TQFP, 28-pin SSOP, and 45-ball WLCSP packages

PSoC Creator Design Environment

- Integrated design environment (IDE) provides schematic-capture design entry and build (with automatic routing of analog and digital signals) and concurrent firmware development with an Arm-SWD debugger
- GUI-based configurable PSoC Components with fully engineered embedded initialization, calibration and correction algorithms
- Application programming interfaces (API) for all fixed-function and programmable peripherals

Industry-Standard Tool Compatibility

- After schematic-capture, firmware development can be done with Arm-based industry-standard development tools

More Information

Cypress provides a wealth of data at www.cypress.com to help you to select the right PSoC device for your design, and to help you to quickly and effectively integrate the device into your design. For a comprehensive list of resources, see the knowledge base article [KBA86521, How to Design with PSoC 3, PSoC 4, and PSoC 5LP](#). Following is an abbreviated list for PSoC 4:

- Overview: [PSoC Portfolio](#), [PSoC Roadmap](#)
- Product Selectors: [PSoC 1](#), [PSoC 3](#), [PSoC 4](#), [PSoC 5LP](#)
In addition, PSoC Creator includes a device selection tool.
- Application notes: Cypress offers a large number of PSoC application notes covering a broad range of topics, from basic to advanced level. Recommended application notes for getting started with PSoC 4 are:
 - [AN79953](#): Getting Started With PSoC 4
 - [AN88619](#): PSoC 4 Hardware Design Considerations
 - [AN86439](#): Using PSoC 4 GPIO Pins
 - [AN57821](#): Mixed Signal Circuit Board Layout
 - [AN81623](#): Digital Design Best Practices
 - [AN73854](#): Introduction To Bootloaders
 - [AN89610](#): Arm Cortex Code Optimization
 - [AN85951](#): PSoC[®] 4 and PSoC Analog Coprocessor CapSense[®] Design Guide
- Technical Reference Manual (TRM) is in two documents:
 - [Architecture TRM](#) details each PSoC 4 functional block.
 - [Registers TRM](#) describes each of the PSoC 4 registers.
- Development Kits:
 - [CY8CKIT-048](#): A full-featured development board for PSoC Analog Coprocessor with five onboard sensors, onboard debugger, and an Arduino shield compatible form-factor.

The [MiniProg3](#) device provides an interface for flash programming and debug.

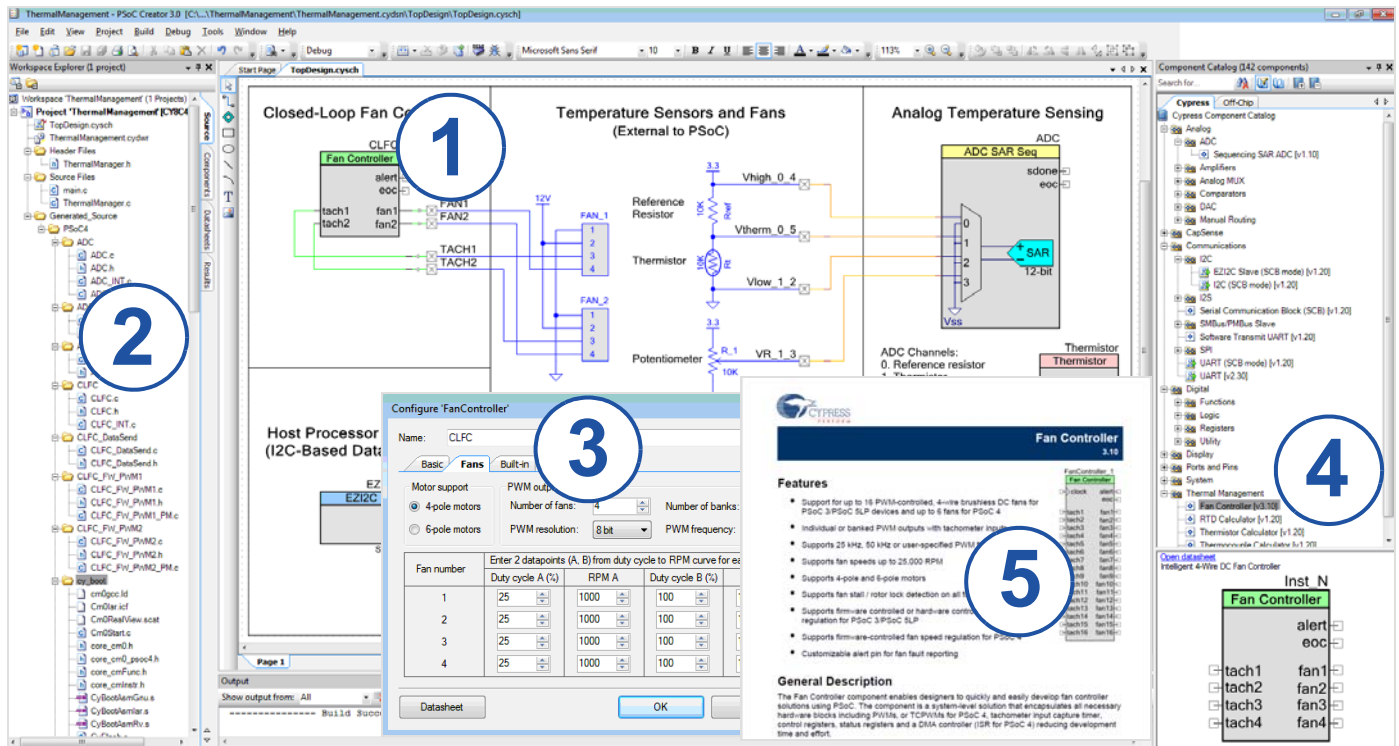
- [Software User Guide](#):
 - A step-by-step guide for using PSoC Creator. The software user guide shows you how the PSoC Creator build process works in detail, how to use source control with PSoC Creator, and much more.
- [Component Datasheets](#):
 - The flexibility of PSoC allows the creation of new peripherals (components) long after the device has gone into production. Component datasheets provide all the information needed to select and use a particular component, including a functional description, API documentation, example code, and AC/DC specifications.
- [Online](#):
 - In addition to print documentation, the [Cypress PSoC forums](#) connect you with fellow PSoC users and experts in PSoC from around the world, 24 hours a day, 7 days a week.

PSoC Creator

PSoC Creator is a free Windows-based Integrated Design Environment (IDE). It enables concurrent hardware and firmware design of PSoC 3, PSoC 4, and PSoC 5LP based systems. Create designs using classic, familiar schematic capture supported by over 100 pre-verified, production-ready PSoC Components; see the [list of component datasheets](#). With PSoc Creator, you can:

1. Drag and drop component icons to build your hardware system design in the main design workspace
2. Codesign your application firmware with the PSoC hardware, using the PSoC Creator IDE C compiler
3. Configure components using the configuration tools
4. Explore the library of 100+ components
5. Review component datasheets

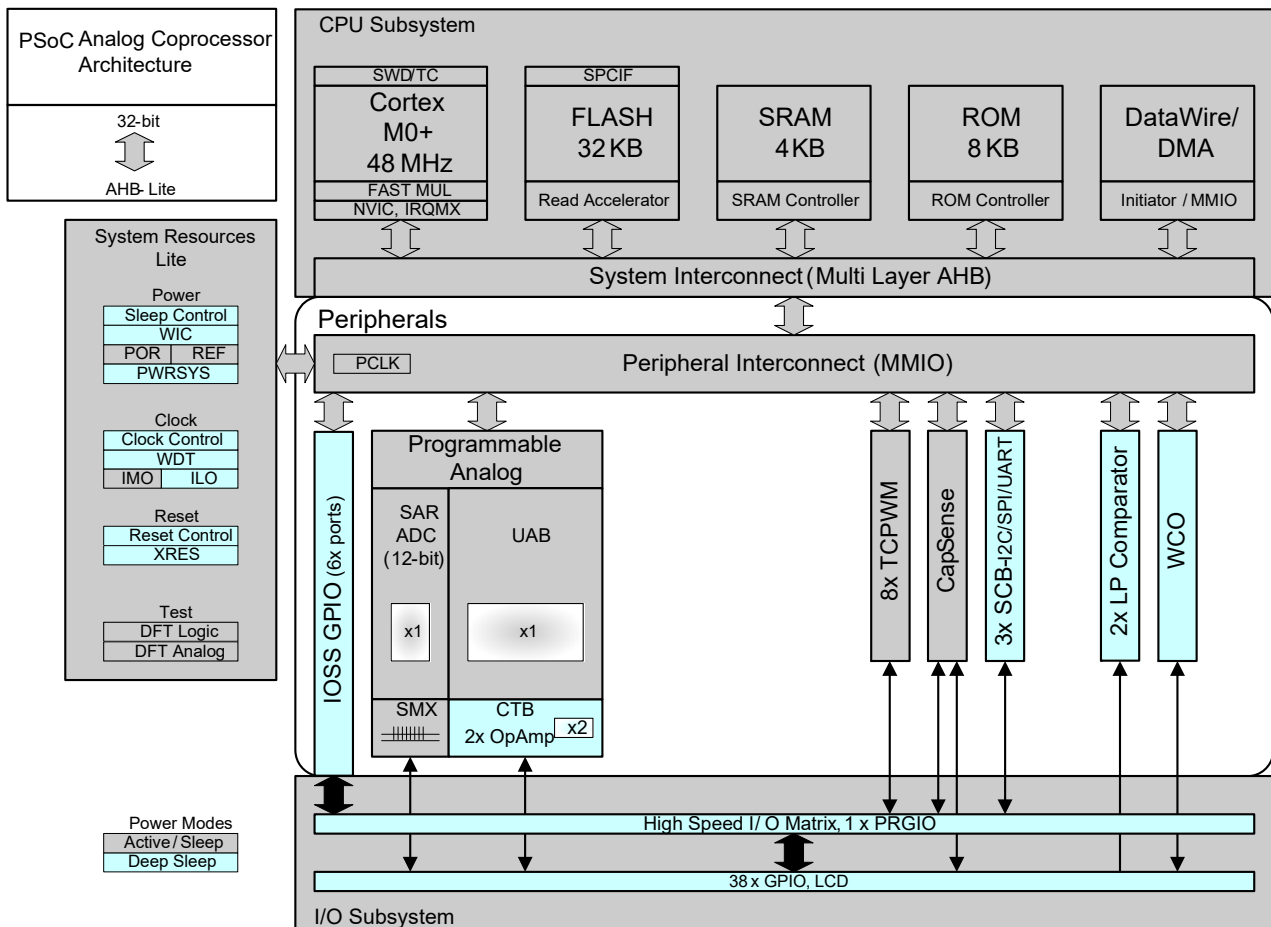
Figure 1. Multiple-Sensor Example Project in PSoc Creator



Contents

Functional Definition	6	Device Level Specifications	16
CPU and Memory Subsystem	6	Analog Peripherals	20
System Resources	6	Digital Peripherals	31
Analog Blocks	7	Memory	33
Fixed Function Digital	8	System Resources	33
GPIO	8	Ordering Information	36
Special Function Peripherals	9	Packaging	38
WLCSP Package Bootloader	9	Package Diagrams	39
Pinouts	10	Acronyms	42
Alternate Pin Functions	12	Document Conventions	44
Power	14	Units of Measure	44
Mode 1: 1.8 V to 5.5 V External Supply	14	Revision History	45
Development Support	15	Sales, Solutions, and Legal Information	46
Documentation	15	Worldwide Sales and Design Support	46
Online	15	Products	46
Tools	15	PSoC® Solutions	46
Electrical Specifications	16	Cypress Developer Community	46
Absolute Maximum Ratings	16	Technical Support	46

Figure 2. Block Diagram



PSoC Analog Coprocessor devices include extensive support for programming, testing, debugging, and tracing both hardware and firmware.

The Arm Serial-Wire Debug (SWD) interface supports all programming and debug features of the device.

Complete debug-on-chip functionality enables full-device debugging in the final system using the standard production device. It does not require special interfaces, debugging pods, simulators, or emulators. Only the standard programming connections are required to fully support debug.

The PSoC Creator IDE provides fully integrated programming and debug support for the PSoC Analog Coprocessor devices. The SWD interface is fully compatible with industry-standard third-party tools. The PSoC Analog Coprocessor family provides a level of security not possible with multi-chip application solutions or with microcontrollers. It has the following advantages:

- Allows disabling of debug features
- Robust flash protection
- Allows customer-proprietary functionality to be implemented in on-chip programmable blocks

The debug circuits are enabled by default and can be disabled in firmware. If they are not enabled, the only way to re-enable them is to erase the entire device, clear flash protection, and reprogram the device with new firmware that enables debugging. Thus firmware control of debugging cannot be over-ridden without erasing the firmware thus providing security.

Additionally, all device interfaces can be permanently disabled (device security) for applications concerned about phishing attacks due to a maliciously reprogrammed device or attempts to defeat security by starting and interrupting flash programming sequences. All programming, debug, and test interfaces are disabled when maximum device security is enabled. Therefore, PSoC Analog Coprocessor, with device security enabled, may not be returned for failure analysis. This is a trade-off the PSoC Analog Coprocessor allows the customer to make.

Functional Definition

CPU and Memory Subsystem

CPU

The Cortex-M0+ CPU in the PSoC Analog Coprocessor is part of the 32-bit MCU subsystem, which is optimized for low-power operation with extensive clock gating. Most instructions are 16 bits in length and the CPU executes a subset of the Thumb-2 instruction set. It includes a nested vectored interrupt controller (NVIC) block with eight interrupt inputs and also includes a Wakeup Interrupt Controller (WIC). The WIC can wake the processor from Deep Sleep mode, allowing power to be switched off to the main processor when the chip is in Deep Sleep mode.

The CPU also includes a debug interface, the serial wire debug (SWD) interface, which is a two-wire form of JTAG. The debug configuration used for PSoC Analog Coprocessor has four breakpoint (address) comparators and two watchpoint (data) comparators.

DMA/DataWire

The DMA engine will be capable of doing independent data transfers anywhere within the memory map via a user-programmable descriptor chain. The DataWire capability is used to effect single-element transfers from one location in memory to another. There are eight DMA channels with a range of selectable trigger sources.

Flash

The PSoC Analog Coprocessor device has a flash module with a flash accelerator, tightly coupled to the CPU to improve average access times from the flash block. The low-power flash block is designed to deliver two wait-state (WS) access time at 48 MHz. The flash accelerator delivers 85% of single-cycle SRAM access performance on average.

SRAM

Four KB of SRAM are provided with zero wait-state access at 48 MHz.

SROM

Eight KB of SROM are provided that contain boot and configuration routines.

System Resources

Power System

The power system is described in detail in the section [Power on page 14](#). It provides an assurance that voltage levels are as required for each respective mode and either delays mode entry (for example, on power-on reset (POR) until voltage levels are as required for proper functionality, or generates resets (for example, on brown-out detection). The PSoC Analog Coprocessor operates with a single external supply over the range of either 1.8 V \pm 5% (externally regulated) or 1.8 to 5.5 V (internally regulated) and has three different power modes, transitions between which are managed by the power system. The PSoC Analog Coprocessor provides Active, Sleep, and Deep Sleep low-power modes.

All subsystems are operational in Active mode. The CPU subsystem (CPU, flash, and SRAM) is clock-gated off in Sleep

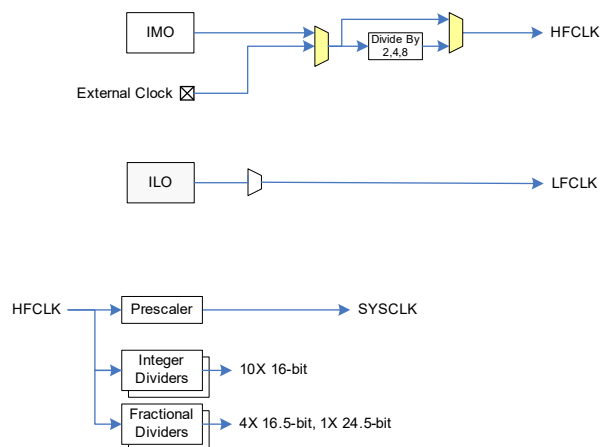
mode, while all peripherals and interrupts are active with instantaneous wake-up on a wake-up event. In Deep Sleep mode, the high-speed clock and associated circuitry is switched off; wake-up from this mode takes 35 μ s. The opamps can remain operational in Deep Sleep mode.

Clock System

The PSoC Analog Coprocessor clock system is responsible for providing clocks to all subsystems that require clocks and for switching between different clock sources without glitching. In addition, the clock system ensures that there are no metastable conditions.

The clock system for the PSoC Analog Coprocessor consists of the internal main oscillator (IMO), internal low-frequency oscillator (ILO), a 32 kHz Watch Crystal Oscillator (WCO) and provision for an external clock. Clock dividers are provided to generate clocks for peripherals on a fine-grained basis. Fractional dividers are also provided to enable clocking of higher data rates for UARTs.

Figure 3. PSoC Analog Coprocessor MCU Cloning Architecture



The HFCLK signal can be divided down to generate synchronous clocks for the analog and digital peripherals. There are 15 clock dividers for the PSoC Analog Coprocessor. The 16-bit capability allows flexible generation of fine-grained frequency values (there is one 24-bit divider for large divide ratios), and is fully supported in PSoC Creator.

IMO Clock Source

The IMO is the primary source of internal clocking in the PSoC Analog Coprocessor. It is trimmed during testing to achieve the specified accuracy. The IMO default frequency is 24 MHz and it can be adjusted from 24 to 48 MHz in steps of 4 MHz. The IMO tolerance with Cypress-provided calibration settings is \pm 2%.

ILO Clock Source

The ILO is a very low power, nominally 40-kHz oscillator, which is primarily used to generate clocks for the watchdog timer (WDT) and peripheral operation in Deep Sleep mode. ILO-driven counters can be calibrated to the IMO to improve accuracy. Cypress provides a software component, which does the calibration.

Watch Crystal Oscillator (WCO)

The PSoC Analog Coprocessor clock subsystem also implements a low-frequency (32-kHz watch crystal) oscillator that can be used for Watchdog timing applications.

Watchdog Timer

A watchdog timer is implemented in the clock block running from the ILO; this allows watchdog operation during Deep Sleep and generates a watchdog reset if not serviced before the set timeout occurs. The watchdog reset is recorded in a Reset Cause register, which is firmware readable.

Reset

The PSoC Analog Coprocessor can be reset from a variety of sources including a software reset. Reset events are asynchronous and guarantee reversion to a known state. The reset cause is recorded in a register, which is sticky through reset and allows software to determine the cause of the reset. An XRES pin is reserved for external reset by asserting it active low. The XRES pin has an internal pull-up resistor that is always enabled.

Voltage Reference

The PSoC Analog Coprocessor reference system generates all internally required references. A 1.2-V voltage reference is provided for the comparator. The IDACs are based on a $\pm 5\%$ reference.

Analog Blocks

12-bit SAR ADC

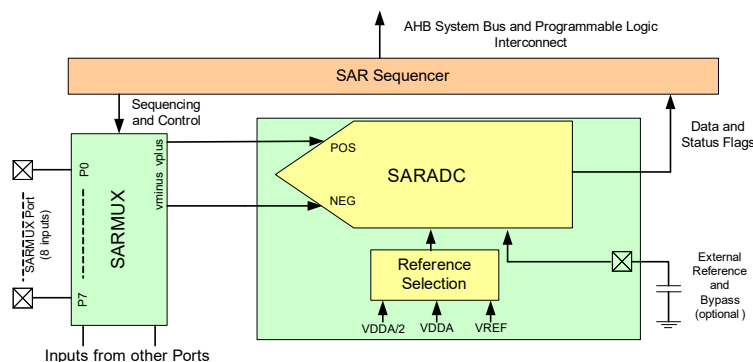
The 12-bit, 1-Msps SAR ADC can operate at a maximum clock rate of 18 MHz and requires a minimum of 18 clocks at that frequency to do a 12-bit conversion.

The Sample-and-Hold (S/H) aperture is programmable allowing the gain bandwidth requirements of the amplifier driving the SAR inputs, which determine its settling time, to be relaxed if required. It is possible to provide an external bypass (through a fixed pin location) for the internal reference amplifier.

The SAR is connected to a fixed set of pins through an 8-input sequencer. The sequencer cycles through selected channels autonomously (sequencer scan) with zero switching overhead (that is, aggregate sampling bandwidth is equal to 1 Msps whether it is for a single channel or distributed over several channels). The sequencer switching is effected through a state machine or through firmware driven switching. A feature provided by the sequencer is buffering of each channel to reduce CPU interrupt service requirements. To accommodate signals with varying source impedance and frequency, it is possible to have different sample times programmable for each channel. Also, signal range specification through a pair of range registers (low and high range values) is implemented with a corresponding out-of-range interrupt if the digitized value exceeds the programmed range; this allows fast detection of out-of-range values without the necessity of having to wait for a sequencer scan to be completed and the CPU to read the values and check for out-of-range values in software.

The SAR is not available in Deep Sleep mode as it requires a high-speed clock (up to 18 MHz). The SAR operating range is 1.71 V to 5.5 V.

Figure 4. SAR ADC



Four Opamps (Continuous-Time Block; CTB)

The PSoC Analog Coprocessor has four opamps with Comparator modes which allow most common analog functions to be performed on-chip eliminating external components; PGAs, Voltage Buffers, Filters, Trans-Impedance Amplifiers, and other functions can be realized, in some cases with external passives, saving power, cost, and space. The on-chip opamps are designed with enough bandwidth to drive the Sample-and-Hold circuit of the ADC without requiring external buffering.

Universal Analog Block (UAB) Discrete-Time Block

The UAB Block consists of switched-capacitor feedback and input networks connected to two opamp structures; the two halves of the structure can be used independently, thus a bi-quad filter structure can be made using the two halves independently in single-ended mode. General analog functions can be implemented with the switched-capacitor network and the opamps examples of functions implementable with the UAB are: DAC, multi-pole SC filters (cascadable blocks), delta-sigma modulator, mixers, integrators, PGAs, and other useful functions using Cypress PSoC Creator with Cypress-supplied software components.

Low-power Comparators (LPC)

The PSoC Analog Coprocessor has a pair of low-power comparators, which can also operate in Deep Sleep modes. This allows the analog system blocks to be disabled while retaining the ability to monitor external voltage levels during low-power modes. The comparator outputs are normally synchronized to avoid metastability unless operating in an asynchronous power mode where the system wake-up circuit is activated by a comparator switch event. The LPC outputs can be routed to pins.

Current DACs

The PSoC Analog Coprocessor has two IDACs, which can drive any of the pins on the chip. These IDACs have programmable current ranges.

Analog Multiplexed Buses

The PSoC Analog Coprocessor has two concentric independent buses that go around the periphery of the chip. These buses (called amux buses) are connected to firmware-programmable analog switches that allow the chip's internal resources (IDACs, comparator) to connect to any pin on the I/O Ports.

Temperature Sensor

There is an on-chip temperature sensor which is calibrated during production to achieve $\pm 1\%$ typical ($\pm 5\%$ maximum) deviation from accuracy. The SAR ADC is used to measure the temperature.

Fixed Function Digital

Timer/Counter/PWM (TCPWM) Block

The TCPWM block consists of a 16-bit counter with user-programmable period length. There is a capture register to record the count value at the time of an event (which may be an I/O event), a period register that is used to either stop or auto-reload the counter when its count is equal to the period register, and compare registers to generate compare value signals that are used as PWM duty cycle outputs. The block also provides true and complementary outputs with programmable offset between them to allow use as dead-band programmable complementary PWM outputs. It also has a Kill input to force outputs to a predetermined state; for example, this is used in motor drive systems when an over-current state is indicated and the PWM driving the FETs needs to be shut off immediately with no time for software intervention. There are eight TCPWM blocks in the PSoC Analog Coprocessor.

Serial Communication Block (SCB)

The PSoC Analog Coprocessor has three serial communication blocks, which can be programmed to have SPI, I²C, or UART functionality.

I²C Mode: The hardware I²C block implements a full multi-master and slave interface (it is capable of multi-master arbitration). This block is capable of operating at speeds of up to 1 Mbps (Fast Mode Plus) and has flexible buffering options to reduce interrupt overhead and latency for the CPU. It also supports EZI²C that creates a mailbox address range in the memory of the PSoC Analog Coprocessor and effectively reduces I²C communication to reading from and writing to an array in memory. In addition, the block supports an 8-deep FIFO for receive and transmit which, by increasing the time given for

the CPU to read data, greatly reduces the need for clock stretching caused by the CPU not having read data on time.

The I²C peripheral is compatible with the I²C Standard-mode and Fast-mode devices as defined in the NXP I²C-bus specification and user manual (UM10204). The I²C bus I/O is implemented with GPIO in open-drain modes.

The PSoC Analog Coprocessor is not completely compliant with the I²C spec in the following respect:

- GPIO cells are not overvoltage tolerant and, therefore, cannot be hot-swapped or powered up independently of the rest of the I²C system.

UART Mode: This is a full-feature UART operating at up to 1 Mbps. It supports automotive single-wire interface (LIN), infrared interface (IrDA), and SmartCard (ISO7816) protocols, all of which are minor variants of the basic UART protocol. In addition, it supports the 9-bit multiprocessor mode that allows addressing of peripherals connected over common RX and TX lines. Common UART functions such as parity error, break detect, and frame error are supported. An 8-deep FIFO allows much greater CPU service latencies to be tolerated.

SPI Mode: The SPI mode supports full Motorola SPI, TI SSP (adds a start pulse used to synchronize SPI Codecs), and National Microwire (half-duplex form of SPI). The SPI block can use the FIFO.

GPIO

The PSoC Analog Coprocessor has up to 38 GPIOs. The GPIO block implements the following:

- Eight drive modes:
 - Analog input mode (input and output buffers disabled)
 - Input only
 - Weak pull-up with strong pull-down
 - Strong pull-up with weak pull-down
 - Open drain with strong pull-down
 - Open drain with strong pull-up
 - Strong pull-up with strong pull-down
 - Weak pull-up with weak pull-down
- Input threshold select (CMOS or LVTTTL).
- Individual control of input and output buffer enabling/disabling in addition to the drive strength modes
- Selectable slew rates for dV/dt related noise control to improve EMI

The pins are organized in logical entities called ports, which are 8-bit in width (less for Ports 2 and 3). During power-on and reset, the blocks are forced to the disable state so as not to crowbar any inputs and/or cause excess turn-on current. A multiplexing network known as a high-speed I/O matrix is used to multiplex between various signals that may connect to an I/O pin.

Data output and pin state registers store, respectively, the values to be driven on the pins and the states of the pins themselves.

Every I/O pin can generate an interrupt if so enabled and each I/O port has an interrupt request (IRQ) and interrupt service routine (ISR) vector associated with it (4 for PSoC Analog Coprocessor). The Smart I/O block is a fabric of switches and LUTs that allows Boolean functions to be performed on signals being routed to the pins of a GPIO port. The Smart I/O block can perform logical operations on input pins to the chip and on signals going out as outputs.

Special Function Peripherals

CapSense

CapSense is supported in the PSoC Analog Coprocessor through a CSD block that can be connected to any pins through an analog mux bus via an analog switch. CapSense function can thus be provided on any available pin or group of pins in a system under software control. A PSoC Creator component is provided for the CapSense block to make it easy for the user.

Shield voltage can be driven on another mux bus to provide water-tolerance capability. Water tolerance is provided by driving the shield electrode in phase with the sense electrode to keep the shield capacitance from attenuating the sensed input. Proximity sensing can also be implemented.

The CapSense block has two IDACs, which can be used for general purposes if CapSense is not being used (both IDACs are available in that case) or if CapSense is used without water tolerance (one IDAC is available). The CapSense block also provides a 10-bit Slope ADC function, which can be used in conjunction with the CapSense function.

The CapSense block is an advanced, low-noise, programmable block with programmable voltage references and current source ranges for improved sensitivity and flexibility. It can also use an external reference voltage. It has a full-wave CSD mode that alternates sensing to VDDA and ground to null out power-supply related noise

WLCSP Package Bootloader

The WLCSP package is supplied with an I²C bootloader installed in flash. The bootloader is compatible with PSoC Creator bootloader project files.

Pinouts

The following table provides the pin list for PSoC Analog Coprocessor for the 48 QFN, 48 TQFP, 45 WLCSP, and 28 SSOP packages. All port pins support GPIO.

Packages							
48-QFN		48-TQFP		28-SSOP		45-CSP	
Pin	Name	Pin	Name	Pin	Name	Pin	Name
28	P0.0	28	P0.0	21	P0.0	D3	P0.0
29	P0.1	29	P0.1	22	P0.1	E2	P0.1
30	P0.2	30	P0.2	23	P0.2	D2	P0.2
31	P0.3	31	P0.3			C3	P0.3
32	P0.4	32	P0.4			D1	P0.4
33	P0.5	33	P0.5			E1	P0.5
34	P0.6	34	P0.6			C2	P0.6
35	P0.7	35	P0.7			B2	P0.7
36	XRES	36	XRES	24	XRES	B3	XRES
37	P4.0	37	P4.0			A1	P4.0
38	P4.1	38	P4.1			B1	P4.1
39	P5.0	39	P5.0	25	P5.0	B4	P5.0
40	P5.1	40	P5.1			C1	P5.1
41	P5.2	41	P5.2	26	P5.2	A2	P5.2
42	P5.3	42	P5.3	27	P5.3	A3	P5.3
43	VDDA	43	VDDA	28	VDDA	J2	VDDA
44	VSSA	44	VSSA			J3	VSSA
45	VCCD	45	VCCD	1	VCCD	A4	VCCD
						B5	VDDD
46	VSSD	46	VSSD	2	VSSD	A5	VSSD
47	VDDD	47	VDDD	3	VDDD		
48	P1.0	48	P1.0	4	P1.0	C5	P1.0
1	P1.1	1	P1.1	5	P1.1	C4	P1.1
2	P1.2	2	P1.2	6	P1.2	D5	P1.2
3	P1.3	3	P1.3	7	P1.3	D4	P1.3
4	P1.4	4	P1.4			E3	P1.4
5	P1.5	5	P1.5			E4	P1.5
6	P1.6	6	P1.6				
7	P1.7	7	P1.7			G3	P1.7
8	VDDA	8	VDDA	8	VDDA	E5	VDDA
9	VSSA	9	VSSA	9	VSSA	F5	VSSA
10	P2.0	10	P2.0	10	P2.0	F4	P2.0
11	P2.1	11	P2.1	11	P2.1	F3	P2.1
12	P2.2	12	P2.2	12	P2.2	G4	P2.2
13	P2.3	13	P2.3	13	P2.3	G5	P2.3
14	P2.4	14	P2.4			H5	P2.4
15	P2.5	15	P2.5			J4	P2.5

Packages							
48-QFN		48-TQFP		28-SSOP		45-CSP	
Pin	Name	Pin	Name	Pin	Name	Pin	Name
16	P2.6	16	P2.6			H4	P2.6
17	P2.7/VREF	17	P2.7/VREF	14	P2.7/VREF	J5	P2.7/VREF
18	VSSA	18	VSSA			J3	VSSA
19	VDDA	19	VDDA	15	VDDA	J2	VDDA
20	P3.0	20	P3.0			H2	P3.0
21	P3.1	21	P3.1	16	P3.1	F2	P3.1
22	P3.2	22	P3.2	17	P3.2	J1	P3.2
23	P3.3	23	P3.3	18	P3.3	H3	P3.3
24	P3.4	24	P3.4			F1	P3.4
25	P3.5	25	P3.5			G2	P3.5
26	P3.6	26	P3.6	19	P3.6	G1	P3.6
27	P3.7	27	P3.7	20	P3.7	H1	P3.7

Descriptions of the Power pins are as follows:

VDDD: Power supply for the digital section.

VDDA: Power supply for the analog section.

VSS: Ground pin.

VCCD: Regulated digital supply (1.8 V \pm 5%)

The 48-pin packages have 38 I/O pins. The 45 CSP and the 28 SSOP have 37 and 20 I/O pins respectively

Alternate Pin Functions

Each Port pin has can be assigned to one of multiple functions; it can, for example, be an Analog I/O, a Digital Peripheral function, or a CapSense or LCD pin. The pin assignments are shown in the following table.

Port/Pin	Analog	SmartIO	Active				DeepSleep	
			ACT #0	ACT #1	ACT #2	ACT #3	DS #0	DS #1
P0.0	lpcomp.in_p[0]	SmartIO[0].io[0]	tcpwm.line[4]:1		pass.dsi_sar_data[0]:0	tcpwm.tr_in[0]	cpuss.swd_data:0	scb[0].spi_select1:0
P0.1	lpcomp.in_n[0]	SmartIO[0].io[1]	tcpwm.line_comp[4]:1		pass.dsi_sar_data[1]:0	tcpwm.tr_in[1]	cpuss.swd_clk:0	scb[0].spi_select2:0
P0.2		SmartIO[0].io[2]	tcpwm.line[5]:1		srss.ext_clk	pass.tr_gen_trig_in[0]	pass.dsi_ctb_cmp0[0]	scb[0].spi_select3:0
P0.3		SmartIO[0].io[3]	tcpwm.line_comp[5]:1		pass.dsi_sar_data[2]:1	pass.tr_gen_trig_in[1]	pass.dsi_ctb_cmp1[0]	
P0.4		SmartIO[0].io[4]	tcpwm.line[6]:1	scb[1].uart_rx:0	pass.dsi_sar_data[3]:1	pass.tr_uab_trig0_out:0	scb[1].i2c_scl:0	scb[1].spi_mosi:0
P0.5		SmartIO[0].io[5]	tcpwm.line_comp[6]:1	scb[1].uart_tx:0	pass.dsi_sar_data[4]:1	pass.tr_uab_trig1_out:0	scb[1].i2c_sda:0	scb[1].spi_miso:0
P0.6		SmartIO[0].io[6]		scb[1].uart_cts:0	pass.dsi_sar_data[5]:1	pass.dsi_uab_cmp0	lpcomp.comp[0]:0	scb[1].spi_clk:0
P0.7		SmartIO[0].io[7]		scb[1].uart_rts:0	pass.dsi_sar_data[6]:1	pass.dsi_uab_cmp1	lpcomp.comp[1]:0	scb[1].spi_select0:0
P4.0	wco.wco_in		tcpwm.line[0]:2	scb[2].uart_rx:1	pass.dsi_sar_data[7]:1	tcpwm.tr_in[5]	scb[2].i2c_scl:1	scb[2].spi_mosi:1
P4.1	wco.wco_out		tcpwm.line_comp[0]:2	scb[2].uart_tx:1	pass.dsi_sar_data[8]:1	tcpwm.tr_in[6]	scb[2].i2c_sda:1	scb[2].spi_miso:1
P5.0	csd.cshieldpads		tcpwm.line[7]:1	scb[0].uart_rx:1	pass.dsi_sar_data_valid		scb[0].i2c_scl:1	scb[0].spi_mosi:1
P5.1	csd.vref_ext		tcpwm.line_comp[7]:1	scb[0].uart_tx:1	pass.dsi_sar_sample_done		scb[0].i2c_sda:1	scb[0].spi_miso:1
P5.2	csd.dsi_cmod		tcpwm.line[6]:2	scb[0].uart_cts:1	pass.tr_sar_out		pass.dsi_ctb_cmp0[1]	scb[0].spi_clk:1
P5.3	csd.dsi_csh_tank		tcpwm.line_comp[6]:2	scb[0].uart_rts:1	pass.dsi_sar_data[9]:0		pass.dsi_ctb_cmp1[1]	scb[0].spi_select0:1
P1.0	ctb_pads[8] lpcomp.in_p[1]		tcpwm.line[0]:1	scb[1].uart_rx:1	pass.dsi_sar_data[10]:0	pass.tr_decm_intr0	scb[1].i2c_scl:1	scb[1].spi_mosi:1
P1.1	ctb_pads[9] lpcomp.in_n[1]		tcpwm.line_comp[0]:1	scb[1].uart_tx:1	pass.dsi_sar_data[11]:0	pass.tr_decm_intr1	scb[1].i2c_sda:1	scb[1].spi_miso:1
P1.2	ctb_pads[10] ctb_oa0_out_10x[1]		tcpwm.line[1]:1	scb[1].uart_cts:1	pass.dsi_sar_data[2]:0			scb[1].spi_clk:1
P1.3	ctb_pads[11] ctb_oa1_out_10x[1]		tcpwm.line_comp[1]:1	scb[1].uart_rts:1	pass.dsi_sar_data[3]:0			scb[1].spi_select0:1
P1.4	ctb_pads[12]		tcpwm.line[2]:1					scb[1].spi_select1:0
P1.5	ctb_pads[13]		tcpwm.line_comp[2]:1					scb[1].spi_select2:0
P1.6	ctb_pads[14]		tcpwm.line[3]:1					scb[1].spi_select3:0
P1.7	ctb_pads[15]		tcpwm.line_comp[3]:1					
P2.0	ctb_pads[0]		tcpwm.line[4]:0	scb[2].uart_rx:0	pass.dsi_sar_data[4]:0		scb[2].i2c_scl:0	scb[2].spi_mosi:0

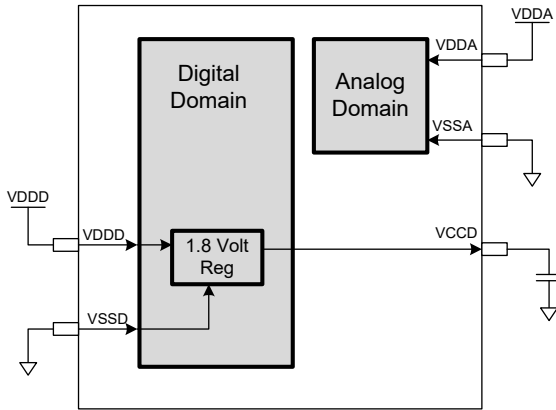
Port/Pin	Analog	SmartIO	Active				DeepSleep	
			ACT #0	ACT #1	ACT #2	ACT #3	DS #0	DS #1
P2.1	ctb_pads[1]		tcpwm.line_compl[4]:0	scb[2].uart_tx:0	pass.dsi_sar_data[5]:0		scb[2].i2c_sda:0	scb[2].spi_miso:0
P2.2	ctb_pads[2] ctb_oa0_out_10x[0]		tcpwm.line[5]:0	scb[2].uart_cts:0	pass.dsi_sar_data[6]:0			scb[2].spi_clk:0
P2.3	ctb_pads[3] ctb_oa1_out_10x[0]		tcpwm.line_compl[5]:0	scb[2].uart_rts:0	pass.dsi_sar_data[7]:0			scb[2].spi_select0:0
P2.4	ctb_pads[4] pass.infe_base_hv		tcpwm.line[0]:0					scb[2].spi_select1:0
P2.5	ctb_pads[5] pass.infe_emitter_hv		tcpwm.line_compl[0]:0					scb[2].spi_select2:0
P2.6	ctb_pads[6]		tcpwm.line[1]:0					scb[2].spi_select3:0
P2.7	ctb_pads[7]		tcpwm.line_compl[1]:0					
	sar_ext_vref0 sar_ext_vref1							
P3.0	sarmux_pads[0]		tcpwm.line[2]:0	scb[0].uart_rx:0			scb[0].i2c_scl:0	scb[0].spi_mosi:0
P3.1	sarmux_pads[1]		tcpwm.line_compl[2]:0	scb[0].uart_tx:0	pass.dsi_sar_data[8]:0		scb[0].i2c_sda:0	scb[0].spi_miso:0
P3.2	sarmux_pads[2]		tcpwm.line[3]:0	scb[0].uart_cts:0			cpuss.swd_data:1	scb[0].spi_clk:0
P3.3	sarmux_pads[3]		tcpwm.line_compl[3]:0	scb[0].uart_rts:0			cpuss.swd_clk:1	scb[0].spi_select0:0
P3.4	sarmux_pads[4]		tcpwm.line[6]:0		pass.dsi_sar_data[10]:1	tcpwm.tr_in[2]		scb[0].spi_select1:1
P3.5	sarmux_pads[5]		tcpwm.line_compl[6]:0		pass.dsi_sar_data[11]:1	tcpwm.tr_in[3]	csd.comp	scb[0].spi_select2:1
P3.6	sarmux_pads[6]		tcpwm.line[7]:0	scb[2].uart_rx:2		tcpwm.tr_in[4]	scb[2].i2c_scl:2	scb[2].spi_mosi:2
P3.7	sarmux_pads[7]		tcpwm.line_compl[7]:0	scb[2].uart_tx:2			scb[2].i2c_sda:2	scb[2].spi_miso:2

Power

The following power system diagram shows the set of power supply pins as implemented for the PSoC Analog Coprocessor. The system has one regulator in Active mode for the digital circuitry. There is no analog regulator; the analog circuits run directly from the V_{DDA} input.

Note that VDDD and VDDA must be shorted together on the PCB.

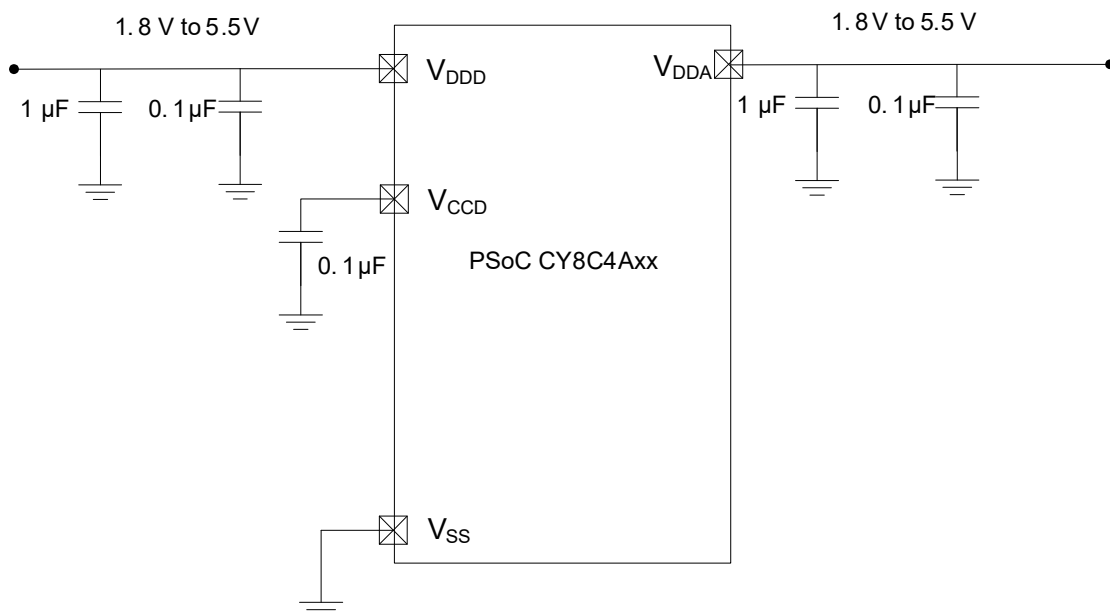
Figure 5. Power Supply Connections



There are two distinct modes of operation. In Mode 1, the supply voltage range is 1.8 V to 5.5 V (unregulated externally; internal regulator operational). In Mode 2, the supply range is 1.8 V \pm 5% (externally regulated; 1.71 to 1.89, internal regulator bypassed).

Figure 6. External Supply Range from 1.8 V to 5.5 V with Internal Regulator Active

Power supply bypass connections example



Mode 1: 1.8 V to 5.5 V External Supply

In this mode, the PSoC Analog Coprocessor is powered by an external power supply that can be anywhere in the range of 1.8 to 5.5 V. This range is also designed for battery-powered operation. For example, the chip can be powered from a battery system that starts at 3.5 V and works down to 1.8 V. In this mode, the internal regulator of the PSoC Analog Coprocessor supplies the internal logic and its output is connected to the V_{CCD} pin. The V_{CCD} pin must be bypassed to ground via an external capacitor (0.1 μ F; X5R ceramic or better) and must not be connected to anything else.

Mode 2: 1.8 V \pm 5% External Supply

In this mode, the PSoC Analog Coprocessor is powered by an external power supply that must be within the range of 1.71 to 1.89 V; note that this range needs to include the power supply ripple too. In this mode, the V_{DDD} and V_{CCD} pins are shorted together and bypassed.

Bypass capacitors must be used from V_{DDD} and V_{DDA} to ground. The typical practice for systems in this frequency range is to use a capacitor in the 1- μ F range, in parallel with a smaller capacitor (0.1 μ F, for example). Note that these are simply rules of thumb and that, for critical applications, the PCB layout, lead inductance, and the bypass capacitor parasitic should be simulated to design and obtain optimal bypassing.

An example of a bypass scheme is shown in the following diagram.

Development Support

The PSoC Analog Coprocessor family has a rich set of documentation, development tools, and online resources to assist you during your development process. Visit www.cypress.com/psoc4 to find out more.

Documentation

A suite of documentation supports the PSoC Analog Coprocessor family to ensure that you can find answers to your questions quickly. This section contains a list of some of the key documents.

Software User Guide: A step-by-step guide for using PSoC Creator. The software user guide shows you how the PSoC Creator build process works in detail, how to use source control with PSoC Creator, and much more.

Component Datasheets: The flexibility of PSoC allows the creation of new peripherals (components) long after the device has gone into production. Component data sheets provide all of the information needed to select and use a particular component, including a functional description, API documentation, example code, and AC/DC specifications.

Application Notes: PSoC application notes discuss a particular application of PSoC in depth; examples include brushless DC motor control and on-chip filtering. Application notes often include example projects in addition to the application note document.

Technical Reference Manual: The Technical Reference Manual (TRM) contains all the technical detail you need to use a PSoC device, including a complete description of all PSoC registers. The TRM is available in the Documentation section at www.cypress.com/psoc4.

Online

In addition to print documentation, the Cypress PSoC forums connect you with fellow PSoC users and experts in PSoC from around the world, 24 hours a day, 7 days a week.

Tools

With industry standard cores, programming, and debugging interfaces, the PSoC Analog Coprocessor family is part of a development tool ecosystem. Visit us at www.cypress.com/psoccreator for the latest information on the revolutionary, easy to use PSoC Creator IDE, supported third party compilers, programmers, debuggers, and development kits.

Electrical Specifications

Absolute Maximum Ratings

Table 1. Absolute Maximum Ratings^[1]

Spec ID#	Parameter	Description	Min	Typ	Max	Units	Details/ Conditions
SID1	V _{DD_ABS}	Digital or Analog supply relative to V _{SS}	-0.5	-	6	V	V _{DDD} , V _{DDA} , Absolute Max
SID2	V _{CCD_ABS}	Direct digital core voltage input relative to V _{SS}	-0.5	-	1.95	V	-
SID3	V _{GPIO_ABS}	GPIO voltage	-0.5	-	V _{DD} +0.5	V	-
SID4	I _{GPIO_ABS}	Maximum current per GPIO	-25	-	25	mA	-
SID5	I _{GPIO_injection}	GPIO injection current, Max for V _{IH} > V _{DD} , and Min for V _{IL} < V _{SS}	-0.5	-	0.5	mA	Current injected per pin
BID44	ESD_HBM	Electrostatic discharge human body model	2200	-	-	V	-
BID45	ESD_CDM	Electrostatic discharge charged device model	500	-	-	V	-
BID46	LU	Pin current for latch-up	-140	-	140	mA	-

Device Level Specifications

All specifications are valid for -40 °C ≤ T_A ≤ 85 °C and T_J ≤ 105 °C, except where noted. Specifications are valid for 1.71 V to 5.5 V, except where noted.

Table 2. DC Specifications

Typical values measured at V_{DD} = 3.3 V and 25 °C.

Spec ID#	Parameter	Description	Min	Typ	Max	Units	Details/ Conditions
SID53	V _{DD}	Power supply input voltage	1.8	-	5.5	V	With regulator enabled
SID255	V _{DD}	Power supply input voltage (V _{CCD} = V _{DD})	1.71	-	1.89	V	Internally unregulated supply
SID54	V _{DDIO}	V _{DDIO} domain supply	1.71	-	V _{DD}	V	-
SID55	C _{EFC}	External regulator voltage bypass	-	0.1	-	μF	X5R ceramic or better
SID56	C _{EXC}	Power supply bypass capacitor	-	1	-		X5R ceramic or better
Active Mode, V_{DD} = 1.8 V to 5.5 V. Typical values measured at V_{DD} = 3.3 V and 25 °C.							
SID10	I _{DD5}	Execute from flash; CPU at 6 MHz	-	2	-	mA	-
SID16	I _{DD8}	Execute from flash; CPU at 24 MHz	-	5.6	-	mA	-
SID19	I _{DD11}	Execute from flash; CPU at 48 MHz	-	10.4	-	mA	-
Sleep Mode, V_{DDD} = 1.8 V to 5.5 V (Regulator on)							
SID22	I _{DD17}	I ² C wakeup WDT, and Comparators on	-	1.1	-	mA	6 MHz
SID25	I _{DD20}	I ² C wakeup, WDT, and Comparators on.	-	3.1	-	mA	12 MHz

Note

- Usage above the absolute maximum conditions listed in Table 1 may cause permanent damage to the device. Exposure to Absolute Maximum conditions for extended periods of time may affect device reliability. The Maximum Storage Temperature is 150 °C in compliance with JEDEC Standard JESD22-A103, High Temperature Storage Life. When used below Absolute Maximum conditions but above normal operating conditions, the device may not operate to specification.

Table 2. DC Specifications (continued)

 Typical values measured at $V_{DD} = 3.3\text{ V}$ and $25\text{ }^{\circ}\text{C}$.

Spec ID#	Parameter	Description	Min	Typ	Max	Units	Details/ Conditions
Sleep Mode, $V_{DDD} = 1.71\text{ V to }1.89\text{ V}$ (Regulator bypassed)							
SID28	I_{DD23}	I ² C wakeup, WDT, and Comparators on	–	1.1	–	mA	6 MHz
SID28A	I_{DD23A}	I ² C wakeup, WDT, and Comparators on	–	3.1	–	mA	12 MHz
Deep Sleep Mode, $V_{DD} = 1.8\text{ V to }3.6\text{ V}$ (Regulator on)							
SID31	I_{DD26}	I ² C wakeup and WDT on	–	2.5	–	μA	–
Deep Sleep Mode, $V_{DD} = 3.6\text{ V to }5.5\text{ V}$ (Regulator on)							
SID34	I_{DD29}	I ² C wakeup and WDT on	–	2.5	–	μA	–
Deep Sleep Mode, $V_{DD} = V_{CCD} = 1.71\text{ V to }1.89\text{ V}$ (Regulator bypassed)							
SID37	I_{DD32}	I ² C wakeup and WDT on	–	2.5	–	μA	–
XRES Current							
SID307	I_{DD_XR}	Supply current while XRES asserted	–	115	300	μA	–

Table 3. AC Specifications

Spec ID#	Parameter	Description	Min	Typ	Max	Units	Details/Conditions
SID48	F_{CPU}	CPU frequency	DC	–	48	MHz	$1.71 \leq V_{DD} \leq 5.5$
SID49 ^[3]	T_{SLEEP}	Wakeup from Sleep mode	–	0	–	μs	–
SID50 ^[3]	$T_{DEEPSLEEP}$	Wakeup from Deep Sleep mode	–	35	–	μs	–

GPIO

Table 4. GPIO DC Specifications

Spec ID#	Parameter	Description	Min	Typ	Max	Units	Details/Conditions
SID57	$V_{IH}^{[2]}$	Input voltage high threshold	$0.7 \times V_{DDD}$	–	–	V	CMOS Input
SID58	V_{IL}	Input voltage low threshold	–	–	$0.3 \times V_{DDD}$	V	CMOS Input
SID241	$V_{IH}^{[2]}$	LVTTL input, $V_{DDD} < 2.7\text{ V}$	$0.7 \times V_{DDD}$	–	–	V	–
SID242	V_{IL}	LVTTL input, $V_{DDD} < 2.7\text{ V}$	–	–	$0.3 \times V_{DDD}$	V	–
SID243	$V_{IH}^{[2]}$	LVTTL input, $V_{DDD} \geq 2.7\text{ V}$	2.0	–	–	V	–
SID244	V_{IL}	LVTTL input, $V_{DDD} \geq 2.7\text{ V}$	–	–	0.8	V	–
SID59	V_{OH}	Output voltage high level	$V_{DDD} - 0.6$	–	–	V	$I_{OH} = 4\text{ mA}$, $V_{DDD} \geq 3.3\text{ V}$
SID60	V_{OH}	Output voltage high level	$V_{DDD} - 0.5$	–	–	V	$I_{OH} = 1\text{ mA}$ at 1.8 V V_{DDD}
SID61	V_{OL}	Output voltage low level	–	–	0.6	V	$I_{OL} = 8\text{ mA}$ at 3.3 V V_{DD}
SID62	V_{OL}	Output voltage low level	–	–	0.6	V	$I_{OL} = 4\text{ mA}$ at 1.8 V V_{DD}

Notes

- V_{IH} must not exceed $V_{DDD} + 0.2\text{ V}$.
- Guaranteed by characterization.

Table 4. GPIO DC Specifications (continued)

Spec ID#	Parameter	Description	Min	Typ	Max	Units	Details/Conditions
SID62A	V_{OL}	Output voltage low level	–	–	0.4	V	$I_{OL} = 3 \text{ mA}$, $V_{DDD} \geq 3 \text{ V}$
SID63	R_{PULLUP}	Pull-up resistor	3.5	5.6	8.5	k Ω	–
SID64	$R_{PULLDOWN}$	Pull-down resistor	3.5	5.6	8.5	k Ω	–
SID65	I_{IL}	Input leakage current (absolute value)	–	2	–	nA	–
SID66	C_{IN}	Input capacitance	–	3	7	pF	–
SID67 ^[3]	V_{HYSTTL}	Input hysteresis LVTTTL	15	40	–	mV	$V_{DDD} \geq 2.7 \text{ V}$
SID68 ^[3]	$V_{HYSCMOS}$	Input hysteresis CMOS	$0.05 \times V_{DDD}$	–	–	mV	$V_{DD} < 4.5 \text{ V}$
SID68A ^[3]	$V_{HYSCMOS5V5}$	Input hysteresis CMOS	200	–	–	mV	$V_{DD} > 4.5 \text{ V}$
SID69 ^[3]	I_{DIODE}	Current through protection diode to V_{DD}/V_{SS}	–	–	100	μA	–
SID69A ^[3]	I_{TOT_GPIO}	Maximum total source or sink chip current	–	–	85	mA	–

Table 5. GPIO AC Specifications

(Guaranteed by Characterization)

Spec ID#	Parameter	Description	Min	Typ	Max	Units	Details/Conditions
SID70	T_{RISEF}	Rise time in fast strong mode	2	–	12	ns	$3.3 \text{ V } V_{DDD}$, Load = 25 pF
SID71	T_{FALLF}	Fall time in fast strong mode	2	–	12	ns	$3.3 \text{ V } V_{DDD}$, Load = 25 pF
SID72	T_{RISES}	Rise time in slow strong mode	10	–	60	ns	$3.3 \text{ V } V_{DDD}$, Load = 25 pF
SID73	T_{FALLS}	Fall time in slow strong mode	10	–	60	ns	$3.3 \text{ V } V_{DDD}$, Load = 25 pF
SID74	$F_{GPIOOUT1}$	GPIO F_{OUT} ; $3.3 \text{ V} \leq V_{DDD} \leq 5.5 \text{ V}$ Fast strong mode	–	–	33	MHz	90/10%, 25-pF load, 60/40 duty cycle
SID75	$F_{GPIOOUT2}$	GPIO F_{OUT} ; $1.71 \text{ V} \leq V_{DDD} \leq 3.3 \text{ V}$ Fast strong mode	–	–	16	MHz	90/10%, 25-pF load, 60/40 duty cycle
SID76	$F_{GPIOOUT3}$	GPIO F_{OUT} ; $3.3 \text{ V} \leq V_{DDD} \leq 5.5 \text{ V}$ Slow strong mode	–	–	7	MHz	90/10%, 25-pF load, 60/40 duty cycle
SID245	$F_{GPIOOUT4}$	GPIO F_{OUT} ; $1.71 \text{ V} \leq V_{DDD} \leq 3.3 \text{ V}$ Slow strong mode.	–	–	3.5	MHz	90/10%, 25-pF load, 60/40 duty cycle
SID246	F_{GPIOIN}	GPIO input operating frequency; $1.71 \text{ V} \leq V_{DD} \leq 5.5 \text{ V}$	–	–	48	MHz	90/10% V_{IO}

XRES
Table 6. XRES DC Specifications

Spec ID#	Parameter	Description	Min	Typ	Max	Units	Details/Conditions
SID77	V_{IH}	Input voltage high threshold	$0.7 \times V_{DDD}$	–	–	V	CMOS Input
SID78	V_{IL}	Input voltage low threshold	–	–	$0.3 \times V_{DDD}$	V	
SID79	R_{PULLUP}	Pull-up resistor	–	60	–	k Ω	–
SID80	C_{IN}	Input capacitance	–	3	7	pF	–
SID81 ^[4]	$V_{HYSXRES}$	Input voltage hysteresis	–	$0.05 \times V_{DD}$	–	mV	Typical hysteresis is 200 mV for $V_{DD} > 4.5$ V

Table 7. XRES AC Specifications

Spec ID#	Parameter	Description	Min	Typ	Max	Units	Details/Conditions
SID83 ^[4]	$T_{RESETWIDTH}$	Reset pulse width	1	–	–	μ s	–
BID194 ^[4]	$T_{RESETWAKE}$	Wake-up time from reset release	–	–	2.7	ms	–

Note

4. Guaranteed by characterization.

Analog Peripherals
Table 8. CTB Opamp Specifications

Spec ID#	Parameter	Description	Min	Typ	Max	Units	Details/Conditions
	I _{DD}	Opamp block current, No load					
SID269	I _{DD_HI}	power=hi	–	1100	2070	μA	–
SID270	I _{DD_MED}	power=med	–	550	950	μA	–
SID271	I _{DD_LOW}	power=lo	–	150	350	μA	–
	G _{BW}	Load = 20 pF, 0.1 mA V _{DDA} = 2.7 V					
SID272	G _{BW_HI}	power=hi	6	–	–	MHz	Input and output are 0.2 V to V _{DDA} -0.2 V
SID273	G _{BW_MED}	power=med	3	–	–	MHz	Input and output are 0.2 V to V _{DDA} -0.2 V
SID274	G _{BW_LO}	power=lo	–	1	–	MHz	Input and output are 0.2 V to V _{DDA} -0.2 V
	I _{OUT_MAX}	V _{DDA} = 2.7 V, 500 mV from rail					
SID275	I _{OUT_MAX_HI}	power=hi	10	–	–	mA	Output is 0.5 V V _{DDA} -0.5 V
SID276	I _{OUT_MAX_MID}	power=mid	10	–	–	mA	Output is 0.5 V V _{DDA} -0.5 V
SID277	I _{OUT_MAX_LO}	power=lo	–	5	–	mA	Output is 0.5 V V _{DDA} -0.5 V
	I _{OUT}	V _{DDA} = 1.71 V, 500 mV from rail					
SID278	I _{OUT_MAX_HI}	power=hi	4	–	–	mA	Output is 0.5 V V _{DDA} -0.5 V
SID279	I _{OUT_MAX_MID}	power=mid	4	–	–	mA	Output is 0.5 V V _{DDA} -0.5 V
SID280	I _{OUT_MAX_LO}	power=lo	–	2	–	mA	Output is 0.5 V V _{DDA} -0.5 V
	I _{DD_Int}	Opamp block current Internal Load					
SID269_I	I _{DD_HI_Int}	power=hi	–	1500	2300	μA	–
SID270_I	I _{DD_MED_Int}	power=med	–	700	1200	μA	–
	G _{BW}	V _{DDA} = 2.7 V					
SID272_I	G _{BW_HI_Int}	power=hi	8	–	–	MHz	Output is 0.25 V to V _{DDA} -0.25 V
		General opamp specs for both internal and external modes					
SID281	V _{IN}	Charge-pump on, V _{DDA} = 2.7 V	-0.05	–	V _{DDA} -0.2	V	–
SID282	V _{CM}	Charge-pump on, V _{DDA} = 2.7 V	-0.05	–	V _{DDA} -0.2	V	–
SID283	V _{OUT_1}	power=hi, Iload=10 mA	0.5	–	V _{DDA} -0.5	V	V _{DD} = 2.7 V

Table 8. CTB Opamp Specifications (continued)

Spec ID#	Parameter	Description	Min	Typ	Max	Units	Details/Conditions
SID284	V_{OUT_2}	power=hi, Iload=1 mA	0.2	–	V_{DDA} -0.2	V	$V_{DDA} = 2.7$ V
SID285	V_{OUT_3}	power=med, Iload=1 mA	0.2	–	V_{DDA} -0.2	V	$V_{DDA} = 2.7$ V
SID286	V_{OUT_4}	power=lo, Iload=0.1 mA	0.2	–	V_{DDA} -0.2	V	$V_{DDA} = 2.7$ V
SID288	V_{OS_TR}	Offset voltage, trimmed	-1.0	± 0.5	1.0	mV	High mode, input 0 V to $V_{DDA}-0.2$ V
SID288A	V_{OS_TR}	Offset voltage, trimmed	–	± 1	–	mV	Medium mode, input 0 V to $V_{DDA}-0.2$ V
SID288B	V_{OS_TR}	Offset voltage, trimmed	–	± 2	–	mV	Low mode, input 0 V to $V_{DDA}-0.2$ V
SID290	$V_{OS_DR_TR}$	Offset voltage drift, trimmed	-10	± 3	10	μ V/C	High mode
SID290A	$V_{OS_DR_TR}$	Offset voltage drift, trimmed	–	± 10	–	μ V/C	Medium mode
SID290B	$V_{OS_DR_TR}$	Offset voltage drift, trimmed	–	± 10	–	μ V/C	Low mode
SID291	CMRR	DC	70	80	–	dB	Input is 0 V to $V_{DDA}-0.2$ V, Output is 0.2 V to $V_{DDA}-0.2$ V, $V_{DDA} \geq 2.7$ V
SID291A	CMRR2	DC	60	70	–	dB	Input is 0 V to $V_{DDA}-0.2$ V, Output is 0.2 V to $V_{DDA}-0.2$ V. 1.71 V $\leq V_{DDA} < 2.7$ V
SID292	PSRR	At 1 kHz, 10-mV ripple	70	85	–	dB	$V_{DDD} = 3.6$ V, high-power mode, input is 0.2 V to $V_{DDA}-0.2$ V
Noise							
SID294	VN2	Input-referred, 1 kHz, power = High	–	72	–	nV/rtHz	Input and output are at 0.2 V to $V_{DDA}-0.2$ V
SID295	VN3	Input-referred, 10 kHz, power = High	–	28	–	nV/rtHz	Input and output are at 0.2 V to $V_{DDA}-0.2$ V
SID296	VN4	Input-referred, 100 kHz, power = High	–	15	–	nV/rtHz	Input and output are at 0.2 V to $V_{DDA}-0.2$ V
SID297	C_{LOAD}	Stable up to max. load. Performance specs at 50 pF.	–	–	125	pF	–
SID298	SLEW_RATE	$C_{LOAD} = 50$ pF, Power = High, $V_{DDA} = 2.7$ V	6	–	–	V/ μ s	–
SID299	T_OP_WAKE	From disable to enable, no external RC dominating	–	–	25	μ s	–

Table 8. CTB Opamp Specifications (continued)

Spec ID#	Parameter	Description	Min	Typ	Max	Units	Details/Conditions
SID299A	OL_GAIN	Open Loop Gain	–	90	–	dB	–
	COMP_MODE	Comparator mode; 50-mV drive, $T_{rise}=T_{fall}$ (approx)					
SID300	T_{PD1}	Response time; power=hi	–	150	175	ns	Input is 0.2 V to $V_{DDA}-0.2$ V
SID301	T_{PD2}	Response time; power=med	–	500	–	ns	Input is 0.2 V to $V_{DDA}-0.2$ V
SID302	T_{PD3}	Response time; power=lo	–	2500	–	ns	Input is 0.2 V to $V_{DDA}-0.2$ V
SID303	V_{HYST_OP}	Hysteresis	–	10	–	mV	–
SID304	WUP_CTB	Wake-up time from Enabled to Usable	–	–	25	μ s	–
	Opamp Deep Sleep Mode	Mode 2 is lowest current range. Mode 1 has higher GBW.					
SID_DS_1	$I_{DD_HI_M1}$	Mode 1, High current	–	1400	–	μ A	–
SID_DS_2	$I_{DD_MED_M1}$	Mode 1, Medium current	–	700	–	μ A	–
SID_DS_3	$I_{DD_LOW_M1}$	Mode 1, Low current	–	200	–	μ A	–
SID_DS_4	$I_{DD_HI_M2}$	Mode 2, High current	–	120	–	μ A	–
SID_DS_5	$I_{DD_MED_M2}$	Mode 2, Medium current	–	60	–	μ A	–
SID_DS_6	$I_{DD_LOW_M2}$	Mode 2, Low current	–	15	–	μ A	–
SID_DS_7	$G_{BW_HI_M1}$	Mode 1, High current	–	4	–	MHz	20-pF load, no DC load 0.2 V to $V_{DDA}-0.2$ V
SID_DS_8	$G_{BW_MED_M1}$	Mode 1, Medium current	–	2	–	MHz	20-pF load, no DC load 0.2 V to $V_{DDA}-0.2$ V
SID_DS_9	$G_{BW_LOW_M1}$	Mode 1, Low current	–	0.5	–	MHz	20-pF load, no DC load 0.2 V to $V_{DDA}-0.2$ V
SID_DS_10	$G_{BW_HI_M2}$	Mode 2, High current	–	0.5	–	MHz	20-pF load, no DC load 0.2 V to $V_{DDA}-0.2$ V
SID_DS_11	$G_{BW_MED_M2}$	Mode 2, Medium current	–	0.2	–	MHz	20-pF load, no DC load 0.2 V to $V_{DDA}-0.2$ V
SID_DS_12	$G_{BW_Low_M2}$	Mode 2, Low current	–	0.1	–	MHz	20-pF load, no DC load 0.2 V to $V_{DDA}-0.2$ V
SID_DS_13	$V_{OS_HI_M1}$	Mode 1, High current	–	5	–	mV	With trim 25 °C, 0.2 V to $V_{DDA}-1.5$ V
SID_DS_14	$V_{OS_MED_M1}$	Mode 1, Medium current	–	5	–	mV	With trim 25 °C, 0.2 V to $V_{DDA}-1.5$ V

Table 8. CTB Opamp Specifications (continued)

Spec ID#	Parameter	Description	Min	Typ	Max	Units	Details/Conditions
SID_DS_15	V _{OS_LOW_M1}	Mode 1, Low current	–	5	–	mV	With trim 25 °C, 0.2 V to V _{DDA} -1.5 V
SID_DS_16	V _{OS_HI_M2}	Mode 2, High current	–	5	–	mV	With trim 25 °C, 0.2V to V _{DDA} -1.5 V
SID_DS_17	V _{OS_MED_M2}	Mode 2, Medium current	–	5	–	mV	With trim 25 °C, 0.2 V to V _{DDA} -1.5 V
SID_DS_18	V _{OS_LOW_M2}	Mode 2, Low current	–	5	–	mV	With trim 25 °C, 0.2 V to V _{DDA} -1.5 V
SID_DS_19	I _{OUT_HI_M1}	Mode 1, High current	–	10	–	mA	Output is 0.5 V to V _{DDA} -0.5 V
SID_DS_20	I _{OUT_MED_M1}	Mode 1, Medium current	–	10	–	mA	Output is 0.5 V to V _{DDA} -0.5 V
SID_DS_21	I _{OUT_LOW_M1}	Mode 1, Low current	–	4	–	mA	Output is 0.5 V to V _{DDA} -0.5 V
SID_DS_22	I _{OUT_HI_M2}	Mode 2, High current	–	1	–	mA	–
SID_DS_23	I _{OU_MED_M2}	Mode 2, Medium current	–	1	–	mA	–
SID_DS_24	I _{OU_LOW_M2}	Mode 2, Low current	–	0.5	–	mA	–

Table 9. PGA Specifications

Spec ID#	Parameter	Description	Min	Typ	Max	Units	Details/Conditions
PGA Gain Values	–	Gain Values are 2,4,16, and 32.	2	–	32	–	–
SID_PGA_1	PGA_ERR_1	Gain Error for Low range; Gain = 2	–	1	–	%	–
		Gain Error for Medium range; Gain = 2	–	–	1.5	%	–
		Gain Error for High range; Gain = 2	–	–	1.5	%	–
SID_PGA_2	PGA_ERR_2	Gain Error for Low range; Gain = 4	–	1	–	%	–
		Gain Error for Medium range; Gain = 4	–	–	1.5	%	–
		Gain Error for High range; Gain = 4	–	–	1.5	%	–
SID_PGA_3	PGA_ERR_3	Gain Error for Low range; Gain = 16	–	3	–	%	–
		Gain Error for Medium range; Gain = 16	–	3	–	%	–
		Gain Error for High range; Gain = 16	–	3	–	%	–
SID_PGA_4	PGA_ERR_4	Gain Error for Low range; Gain = 32	–	5	–	%	–
		Gain Error for Medium range; Gain = 32	–	5	–	%	–
		Gain Error for High range; Gain = 32	–	5	–	%	–

Note

5. Guaranteed by characterization.

Table 10. Universal Analog Block (UAB) Specifications. All UAB Blocks are configured via PSoC Creator components

Note: UAB functions are mutually exclusive. The UAB can be configured as one or two voltage DACs, one second-order analog filter, or one 12-bit incremental delta-sigma ADC.

Spec ID#	Parameter	Description	Min	Typ	Max	Units	Details/Conditions
–	–	Major functional block specifications for ADC, DAC, and filter	–	–	–	–	Specs apply for $V_{DDA} \geq 2.7\text{ V}$
12-bit delta-sigma ADC	–	Realized with second-order delta-sigma modulator (single-ended)	–	–	–	–	Excludes reference drift in Auto-zero mode
SID_PADC_1	GE_DS2	Gain error	–	0.1	–	%	ADC error
SID_PADC_2	GED_DS2	Gain error drift	–	50	–	ppm / °C	–
SID_PADC_3	VOS_DS2	Offset voltage	–	1	–	mV	–
SID_PADC_4	VSO_DS2	Offset drift	–	50	–	ppm / °C	–
SID_PADC_5	INL_DS2	Integral non linearity (INL)	–	+3, –4	–	LSB	–
SID_PADC_6	DNL_DS2	Differential non linearity (DNL)	–	+2, –1	–	LSB	–
SID_PADC_7	SINAD_DS2	Signal-to-noise and distortion. ENOB = (SINAD-1.76)/6.02.	–	61	–	dB	–
SID_PADC_8	PSRR_DS2	Power supply rejection ratio	–	74	–	dB	–
SID_PADC_10	FS_DS2	Sample rate (ksps)	–	1	–	ksps	–
SID_PADC_11	FC_DS2	3-dB bandwidth as a fraction of sample frequency	0.26	0.26	0.26		–
SID_PADC_12	VIN_DS2	Input voltage range	–	75	–	% V_{REF}	Based on Cypress Component usage
SID_PADC_13	IDD_DS2	Block current	–	900	–	μA	Medium power mode
SID_PADC_14	WUP_DS2	Wake-up time from Enabled to Usable	–	–	30	μs	For clock $\geq 1\text{ MHz}$
13-bit DAC		Differential output. VDAC Specs are valid from -20 to $+85\text{ }^\circ\text{C}$.					
SID_DAC_1	INL_VDAC1	Integral non linearity (INL)	–6	–	+5	LSB	–
SID_DAC_2	DNL_VDAC1	Differential non linearity (DNL)	–1	–	4	LSB	–
SID_DAC_3	VOUT_VDAC1	Output voltage range	0.2	–	$V_{DDA}-0.2$	V	Valid output range is 200 LSBs from rails. Full settling bandwidth to within 200 mV of rail.
SID_DAC_4	ZSE_VDAC1	Zero scale error (output with all zeroes input)	–	20	–	mV	Zero scale is at analog ground
SID_DAC_5	GE_VDAC1	Full scale error less offset	–	0.3	2	%	$V_{DDA} \geq 2.7\text{ V}$, $V_{REF} = V_{DDA}/2$
SID_DAC_6	IDD_VDAC1	Block current	–	1.8	–	mA	–
SID_DAC_7	PSRR_VDAC1	Power supply rejection ratio	–	50	–	dB	$2.7\text{ V} \leq V_{DDA} \leq 5.5$

Table 10. Universal Analog Block (UAB) Specifications. All UAB Blocks are configured via PSoC Creator components

Note: UAB functions are mutually exclusive. The UAB can be configured as one or two voltage DACs, one second-order analog filter, or one 12-bit incremental delta-sigma ADC. (continued)

Spec ID#	Parameter	Description	Min	Typ	Max	Units	Details/Conditions
SID_DAC_8	WUP_VDAC1	Wake-up time from Enabled to Usable	–	–	39	μs	For clock ≥ 1 MHz, V _{DDA} ≥ 2.7 V
SID_DAC_8A	WUP_VDAC2	Wake-up time from Enabled to Usable	–	–	72	μs	V _{DDA} ≤ 2.7 V
SID_DAC_9	TS_VDAC1	Settling time for DAC	–	–	2	μs	500 ksps operation, 2.7 V < V _{DDA} ≤ 5.5 V
SID_DAC_9A	TS_VDAC2	Settling time for DAC	–	–	10	μs	100 ksps operation, V _{DDA} ≤ 2.7 V
Two_Pole Bi-Quad Switched-Capacitor Filter. Low/Band/High/Notch Pass Filter							Configured via Cypress Component
SID_SC_1	SNR_SCF1	Signal-to-noise ratio	–	54	–	dB	V _{IN} 2.2Vp-p, low-pass, OSR=100
SID_SC_2	THD_SCF1	Total harmonic distortion	–	60	–	dB	V _{IN} 2.2Vp-p, low-pass, OSR = 100
SID_SC_3	F0_SCF1	Center frequency range	0.1	–	20	kHz	OSR = 100
SID_SC_4	VOS_SFC1	Offset error	–	15	–	mV	V _{IN} 5Vp-p, low-pass, OSR = 100
SID_SC_7	QRNG_SFC1	Q range	0.25	–	25	–	–
SID_SC_9	FC_SCF1	Sampling frequency	0.05	–	2	MHz	–
SID_SC_10	FR_SCF1	Ratio of sampling frequency to corner frequency	8	–	128	–	–
SID_SC_11	IDD_SCF1	Block current	–	4	–	mA	–
SID_SC_12	WUP_SCF1	Wake-up time from Enabled to Usable	–	–	39	μs	For clock ≥ 1 MHz

Table 11. Comparator DC Specifications

Spec ID#	Parameter	Description	Min	Typ	Max	Units	Details/Conditions
SID84	V _{OFFSET1}	Input offset voltage, Factory trim	–	–	±10	mV	–
SID85	V _{OFFSET2}	Input offset voltage, Custom trim	–	–	±4	mV	–
SID86	V _{HYST}	Hysteresis when enabled	–	10	35	mV	–
SID87	V _{ICM1}	Input common mode voltage in normal mode	0	–	V _{DDD} -0.1	V	Modes 1 and 2
SID247	V _{ICM2}	Input common mode voltage in low power mode	0	–	V _{DDD}	V	–
SID247A	V _{ICM3}	Input common mode voltage in ultra low power mode	0	–	V _{DDD} -1.15	V	V _{DDD} ≥ 2.2 V for Temp < 0 °C, V _{DDD} ≥ 1.8 V for Temp > 0 °C
SID88	C _{MRR}	Common mode rejection ratio	50	–	–	dB	V _{DDD} ≥ 2.7V
SID88A	C _{MRR}	Common mode rejection ratio	42	–	–	dB	V _{DDD} ≤ 2.7V
SID89	I _{CMP1}	Block current, normal mode	–	–	400	μA	–
SID248	I _{CMP2}	Block current, low power mode	–	–	100	μA	–
SID259	I _{CMP3}	Block current in ultra low-power mode	–	–	28	μA	V _{DDD} ≥ 2.2 V for Temp < 0 °C, V _{DDD} ≥ 1.8 V for Temp > 0 °C
SID90	Z _{CMP}	DC Input impedance of comparator	35	–	–	MΩ	–

Table 12. Comparator AC Specifications

Spec ID#	Parameter	Description	Min	Typ	Max	Units	Details/Conditions
SID91	TRESP1	Response time, normal mode, 50 mV overdrive	–	38	110	ns	All V _{DD}
SID258	TRESP2	Response time, low power mode, 50 mV overdrive	–	70	200	ns	–
SID92	TRESP3	Response time, ultra-low power mode, 200 mV overdrive	–	2.3	15	μs	V _{DDD} ≥ 2.2 V for Temp < 0 °C, V _{DDD} ≥ 1.8 V for Temp > 0 °C

Table 13. Temperature Sensor Specifications

Spec ID#	Parameter	Description	Min	Typ	Max	Units	Details/Conditions
SID93	TSENSACC	Temperature sensor accuracy	–5	±1	5	°C	–40 to +85 °C

Table 14. SAR Specifications

Spec ID#	Parameter	Description	Min	Typ	Max	Units	Details/Conditions
SAR ADC DC Specifications							
SID94	A_RES	Resolution	–	–	12	bits	–
SID95	A_CHNLS_S	Number of channels - single ended	–	–	8		8 full speed.
SID96	A-CHNKS_D	Number of channels - differential	–	–	4		–
SID97	A-MONO	Monotonicity	–	–	–		Yes.
SID98	A_GAINERR	Gain error	–	–	±0.1	%	With external reference.
SID99	A_OFFSET	Input offset voltage	–	–	2	mV	Measured with 1-V reference
SID100	A_ISAR	Current consumption	–	–	1	mA	–
SID101	A_VINS	Input voltage range - single ended	V _{SS}	–	V _{DDA}	V	–
SID102	A_VIND	Input voltage range - differential[V _{SS}	–	V _{DDA}	V	–
SID103	A_INRES	Input resistance	–	–	2.2	KΩ	–
SID104	A_INCAP	Input capacitance	–	–	10	pF	–
SID260	VREFSAR	Trimmed internal reference to SAR	–	–	TBD	V	–
SAR ADC AC Specifications							
SID106	A_PSR	Power supply rejection ratio	70	–	–	dB	–
SID107	A_CMRR	Common mode rejection ratio	66	–	–	dB	Measured at 1 V
SID108	A_SAMP	Sample rate	–	–	1	Msp/s	–
SID109	A_SNR	Signal-to-noise and distortion ratio (SINAD)	65	–	–	dB	F _{IN} = 10 kHz
SID110	A_BW	Input bandwidth without aliasing	–	–	A _{samp} /2	kHz	–
SID111	A_INL	Integral non linearity. V _{DD} = 1.71 to 5.5, 1 Msp/s	–1.7	–	2	LSB	V _{REF} = 1 to V _{DD}
SID111A	A_INL	Integral non linearity. V _{DD} = 1.71 to 3.6, 1 Msp/s	–1.5	–	1.7	LSB	V _{REF} = 1.71 to V _{DD}
SID111B	A_INL	Integral non linearity. V _{DD} = 1.71 to 5.5, 500 ksp/s	–1.5	–	1.7	LSB	V _{REF} = 1 to V _{DD}
SID112	A_DNL	Differential non linearity. V _{DD} = 1.71 to 5.5, 1 Msp/s	–1	–	2.2	LSB	V _{REF} = 1 to V _{DD}
SID112A	A_DNL	Differential non linearity. V _{DD} = 1.71 to 3.6, 1 Msp/s	–1	–	2	LSB	V _{REF} = 1.71 to V _{DD}
SID112B	A_DNL	Differential non linearity. V _{DD} = 1.71 to 5.5, 500 ksp/s	–1	–	2.2	LSB	V _{REF} = 1 to V _{DD}
SID113	A_THD	Total harmonic distortion	–	–	–65	dB	F _{IN} = 10 kHz
SID261	FSARINTREF	SAR operating speed without external ref. bypass	–	–	100	ksp/s	12-bit resolution

Table 15. CapSense and IDAC Specifications^[6]

Spec ID#	Parameter	Description	Min	Typ	Max	Units	Details/Conditions
SYS.PER#3	VDD_RIPPLE	Max allowed ripple on power supply, DC to 10 MHz	–	–	±50	mV	V _{DD} > 2 V (with ripple), 25 °C T _A , Sensitivity = 0.1 pF
SYS.PER#16	VDD_RIPPLE_1.8	Max allowed ripple on power supply, DC to 10 MHz	–	–	±25	mV	V _{DD} > 1.75 V (with ripple), 25 °C T _A , Parasitic Capacitance (CP) < 20 pF, Sensitivity ≥ 0.4 pF
SID.CSD.BLK	ICSD	Maximum block current			4000	µA	–
SID.CSD#15	VREF	Voltage reference for CSD and Comparator	0.6	1.2	V _{DDA} - 0.6	V	V _{DDA} - 0.6 or 4.4, whichever is lower
SID.CSD#15A	VREF_EXT	External Voltage reference for CSD and Comparator	0.6		V _{DDA} - 0.6	V	V _{DDA} - 0.6 or 4.4, whichever is lower
SID.CSD#16	IDAC1IDD	IDAC1 (7 bits) block current	–	–	1750	µA	–
SID.CSD#17	IDAC2IDD	IDAC2 (7 bits) block current	–	–	1750	µA	–
SID308	VCSD	Voltage range of operation	1.71	–	5.5	V	1.8 V ±5% or 1.8 V to 5.5 V
SID308A	VCOMPIDAC	Voltage compliance range of IDAC	0.6	–	V _{DDA} - 0.6	V	V _{DDA} - 0.6 or 4.4, whichever is lower
SID309	IDAC1DNL	DNL	–1	–	1	LSB	–
SID310	IDAC1INL	INL	–3	–	3	LSB	–
SID311	IDAC2DNL	DNL	–1	–	1.0	LSB	–
SID312	IDAC2INL	INL	–3	–	3	LSB	–
SID313	SNR	Ratio of counts of finger to noise. Guaranteed by characterization	5.0	–	–	Ratio	Capacitance range of 5 to 200 pF, 0.1 pF sensitivity. All use cases. V _{DDA} > 2 V.
SID314	IDAC7_SRC1	Maximum Source current of 7-bit IDAC in low range	4.2		5.4	µA	LSB = 37.5 nA typ.
SID314A	IDAC7_SRC2	Maximum Source current of 7-bit IDAC in medium range	34		41	µA	LSB = 300 nA typ.
SID314B	IDAC7_SRC3	Maximum Source current of 7-bit IDAC in high range	275		330	µA	LSB = 2.4 µA typ.
SID314C	IDAC7_SRC4	Maximum Source current of 7-bit IDAC in low range, 2X mode	8		10.5	µA	LSB = 37.5 nA typ. 2X output stage
SID314D	IDAC7_SRC5	Maximum Source current of 7-bit IDAC in medium range, 2X mode	69		82	µA	LSB = 300 nA typ. 2X output stage
SID314E	IDAC7_SRC6	Maximum Source current of 7-bit IDAC in high range, 2X mode	540		660	µA	LSB = 2.4 µA typ. 2X output stage
SID315	IDAC7_SINK_1	Maximum Sink current of 7-bit IDAC in low range	4.2		5.7	µA	LSB = 37.5 nA typ.
SID315A	IDAC7_SINK_2	Maximum Sink current of 7-bit IDAC in medium range	34		44	µA	LSB = 300 nA typ.
SID315B	IDAC7_SINK_3	Maximum Sink current of 7-bit IDAC in high range	260		340	µA	LSB = 2.4 µA typ.
SID315C	IDAC7_SINK_4	Maximum Sink current of 7-bit IDAC in low range, 2X mode	8		11.5	µA	LSB = 37.5 nA typ. 2X output stage

Note

6. For optimal CapSense performance, Ports 0, 4, and 5 must be used for large DC loads.

Table 15. CapSense and IDAC Specifications^[6] (continued)

Spec ID#	Parameter	Description	Min	Typ	Max	Units	Details/Conditions
SID315D	IDAC7_SINK_5	Maximum Sink current of 7-bit IDAC in medium range, 2X mode	68		86	μA	LSB = 300 nA typ. 2X output stage
SID315E	IDAC7_SINK_6	Maximum Sink current of 7-bit IDAC in high range, 2X mode	540		700	μA	LSB = 2.4 μA typ. 2X output stage
SID315F	IDAC8_SRC_1	Maximum Source current of 8-bit IDAC in low range	8.4		10.8	μA	LSB = 37.5 nA typ.
SID315G	IDAC8_SRC_2	Maximum Source current of 8-bit IDAC in medium range	68		82	μA	LSB = 300 nA typ.
SID315H	IDAC8_SRC_3	Maximum Source current of 8-bit IDAC in high range	550		680	μA	LSB = 2.4 μA typ.
SID315J	IDAC8_SINK_1	Maximum Sink current of 8-bit IDAC in low range	8.4		11.4	μA	LSB = 37.5 nA typ.
SID315K	IDAC8_SINK_2	Maximum Sink current of 8-bit IDAC in medium range	68		88	μA	LSB = 300 nA typ.
SID315L	IDAC8_SINK_3	Maximum Sink current of 8-bit IDAC in high range	540		670	μA	LSB = 2.4 μA typ.
SID320	IDACOFFSET1	All zeroes input; Medium and High range	–	–	1	LSB	Polarity set by Source or Sink
SID320A	IDACOFFSET2	All zeroes input; Low range	–	–	2	LSB	Polarity set by Source or Sink
SID321	IDACGAIN	Full-scale error less offset	–	–	±20	%	–
SID322	IDACMISMATCH1	Mismatch between IDAC1 and IDAC2 in Low mode	–	–	11.5	LSB	LSB = 37.5 nA typ.
SID322A	IDACMISMATCH2	Mismatch between IDAC1 and IDAC2 in Medium mode	–	–	6	LSB	LSB = 300 nA typ.
SID322B	IDACMISMATCH3	Mismatch between IDAC1 and IDAC2 in High mode	–	–	7.3	LSB	LSB = 2.4 μA typ.
SID323	IDACSET8	Settling time to 0.5 LSB for 8-bit IDAC	–	–	10	μs	Full-scale transition. No external load.
SID324	IDACSET7	Settling time to 0.5 LSB for 7-bit IDAC	–	–	10	μs	Full-scale transition. No external load.
SID325	CMOD	External modulator capacitor.	–	2.2	–	nF	5-V rating, X7R or NP0 cap.

Table 16. 10-bit CapSense ADC Specifications

Spec ID#	Parameter	Description	Min	Typ	Max	Units	Details/Conditions
SIDA94	A_RES	Resolution	–	–	10	bits	8 full speed.
SIDA95	A_CHNLS_S	Number of channels - single-ended	–	–	16		Diff inputs use neighboring I/O
SIDA97	A-MONO	Monotonicity	–	–	–	Yes	Yes
SIDA98	A_GAINERR	Gain error	–	–	±3	%	In V _{REF} (2.4 V) mode with V _{DDA} bypass capacitance of 10 μF
SIDA99	A_OFFSET	Input offset voltage	–	–	±18	mV	In V _{REF} (2.4 V) mode with V _{DDA} bypass capacitance of 10 μF
SIDA100	A_ISAR	Current consumption	–	–	0.48	mA	–

Table 16. 10-bit CapSense ADC Specifications (continued)

Spec ID#	Parameter	Description	Min	Typ	Max	Units	Details/Conditions
SIDA101	A_VINS	Input voltage range - single-ended	V_{SSA}	–	V_{DDA}	V	–
SIDA103	A_INRES	Input resistance	–	2.2	–	K Ω	–
SIDA104	A_INCAP	Input capacitance	–	20	–	pF	–
SIDA106	A_PSRR	Power supply rejection ratio	–	60	–	dB	–
SIDA107	A_TACQ	Sample acquisition time	–	1	–	μ s	–
SIDA108	A_CONV8	Conversion time for 8-bit resolution at conversion rate = $F_{hclk}/(2^{(N+2)})$. Clock frequency = 48 MHz.	–	–	21.3	μ s	Does not include acquisition time. Equivalent to 44.8 ksps including acquisition time
SIDA108A	A_CONV10	Conversion time for 10-bit resolution at conversion rate = $F_{hclk}/(2^{(N+2)})$. Clock frequency = 48 MHz.	–	–	85.3	μ s	Does not include acquisition time. Equivalent to 11.6 ksps including acquisition time.
SIDA109	A_SND	Signal-to-noise and distortion ratio (SINAD)	–	61	–	dB	–
SIDA111	A_INL	Integral non linearity. $V_{DD} = 1.71$ to 5.5, 1 ksps	–	–	2	LSB	$V_{REF} = 2.4$ V or greater
SIDA112	A_DNL	Differential non linearity. $V_{DD} = 1.71$ to 5.5, 1 ksps	–	–	1	LSB	–

Digital Peripherals

Timer Counter Pulse-Width Modulator (TCPWM)

Table 17. TCPWM Specifications

Spec ID#	Parameter	Description	Min	Typ	Max	Units	Details/Conditions
SID.TCPWM.1	ITCPWM1	Block current consumption at 3 MHz	–	–	45	μA	All modes (TCPWM)
SID.TCPWM.2	ITCPWM2	Block current consumption at 12 MHz	–	–	155		All modes (TCPWM)
SID.TCPWM.2A	ITCPWM3	Block current consumption at 48 MHz	–	–	650		All modes (TCPWM)
SID.TCPWM.3	TCPWM _{FREQ}	Operating frequency	–	–	F _c	MHz	F _c max = CLK_SYS Maximum = 48 MHz
SID.TCPWM.4	TPWM _{ENEXT}	Input trigger pulse width	2/F _c	–	–	ns	For all trigger events ^[7]
SID.TCPWM.5	TPWM _{EXT}	Output trigger pulse widths	2/F _c	–	–		Minimum possible width of Overflow, Underflow, and CC (Counter equals Compare value) outputs
SID.TCPWM.5A	TC _{RES}	Resolution of counter	1/F _c	–	–		Minimum time between successive counts
SID.TCPWM.5B	PWM _{RES}	PWM resolution	1/F _c	–	–		Minimum pulse width of PWM Output
SID.TCPWM.5C	Q _{RES}	Quadrature inputs resolution	1/F _c	–	–		Minimum pulse width between Quadrature phase inputs

²C

Table 18. Fixed I²C DC Specifications^[8]

Spec ID#	Parameter	Description	Min	Typ	Max	Units	Details/Conditions
SID149	I _{I2C1}	Block current consumption at 100 kHz	–	–	50	μA	–
SID150	I _{I2C2}	Block current consumption at 400 kHz	–	–	135		–
SID151	I _{I2C3}	Block current consumption at 1 Mbps	–	–	310		–
SID152	I _{I2C4}	I ² C enabled in Deep Sleep mode	–	–	1.4		–

Table 19. Fixed I²C AC Specifications^[8]

Spec ID#	Parameter	Description	Min	Typ	Max	Units	Details/Conditions
SID153	F _{I2C1}	Bit rate	–	–	1	Msp/s	–

Table 20. SPI DC Specifications^[8]

Spec ID#	Parameter	Description	Min	Typ	Max	Units	Details/Conditions
SID163	ISPI1	Block current consumption at 1 Mbits/sec	–	–	360	μA	–
SID164	ISPI2	Block current consumption at 4 Mbits/sec	–	–	560		–
SID165	ISPI3	Block current consumption at 8 Mbits/sec	–	–	600		–

Notes

7. Trigger events can be Stop, Start, Reload, Count, Capture, or Kill depending on which mode of operation is selected.
8. Guaranteed by characterization.

Table 21. SPI AC Specifications^[9]

Spec ID#	Parameter	Description	Min	Typ	Max	Units	Details/Conditions
SID166	FSPI	SPI Operating frequency (Master; 6X Oversampling)	–	–	8	MHz	SID166
Fixed SPI Master Mode AC Specifications							
SID167	TDMO	MOSI Valid after SClock driving edge	–	–	15	ns	–
SID168	TDSI	MISO Valid before SClock capturing edge	20	–	–		Full clock, late MISO sampling
SID169	THMO	Previous MOSI data hold time	0	–	–		Referred to Slave capturing edge
Fixed SPI Slave Mode AC Specifications							
SID170	TDMI	MOSI Valid before Sclock Capturing edge	40	–	–	ns	–
SID171	TDSO	MISO Valid after Sclock driving edge	–	–	$42 + 3 \cdot T_{scb}$		$T_{scb} = \text{SCB clock}$
SID171A	TDSO_EXT	MISO Valid after Sclock driving edge in Ext. Clk mode	–	–	48		–
SID172	THSO	Previous MISO data hold time	0	–	–		–

Table 22. UART DC Specifications^[9]

Spec ID#	Parameter	Description	Min	Typ	Max	Units	Details/Conditions
SID160	I_{UART1}	Block current consumption at 100 Kbits/sec	–	–	55	μA	–
SID161	I_{UART2}	Block current consumption at 1000 Kbits/sec	–	–	312	μA	–

Table 23. UART AC Specifications^[9]

Spec ID#	Parameter	Description	Min	Typ	Max	Units	Details/Conditions
SID162	F_{UART}	Bit rate	–	–	1	Mbps	–

Table 24. LCD Direct Drive DC Specifications^[9]

Spec ID#	Parameter	Description	Min	Typ	Max	Units	Details/Conditions
SID154	I_{LCDLOW}	Operating current in low power mode	–	5	–	μA	16 × 4 small segment disp. at Hz
SID155	C_{LCDCAP}	LCD capacitance per segment/common driver	–	500	5000	pF	–
SID156	$\text{LCD}_{\text{OFFSET}}$	Long-term segment offset	–	20	–	mV	–
SID157	I_{LCDOP1}	LCD system operating current $V_{\text{bias}} = 5 \text{ V}$	–	2	–	mA	32 × 4 segments. 50 Hz. 25 °C
SID158	I_{LCDOP2}	LCD system operating current $V_{\text{bias}} = 3.3 \text{ V}$	–	2	–	mA	32 × 4 segments. 50 Hz. 25 °C 4 segments. 50 Hz. 25 °C

Table 25. LCD Direct Drive AC Specifications^[9]

Spec ID#	Parameter	Description	Min	Typ	Max	Units	Details/Conditions
SID159	F_{LCD}	LCD frame rate	10	50	150	Hz	–

Note

9. Guaranteed by characterization.

Memory
Table 26. Flash DC Specifications

Spec ID#	Parameter	Description	Min	Typ	Max	Units	Details/Conditions
SID173	V _{PE}	Erase and program voltage	1.71	–	5.5	V	–

Table 27. Flash AC Specifications

Spec ID#	Parameter	Description	Min	Typ	Max	Units	Details/Conditions
SID174	T _{ROWWRITE} ^[10]	Row (block) write time (erase and program)	–	–	20	ms	Row (block) = 64 bytes
SID175	T _{ROWERASE} ^[10]	Row erase time	–	–	13	ms	–
SID176	T _{ROWPROGRAM} ^[10]	Row program time after erase	–	–	7	ms	–
SID178	T _{BULKERASE} ^[10]	Bulk erase time (16 KB)	–	–	15	ms	–
SID180 ^[11]	T _{DEVPROG} ^[10]	Total device program time	–	–	7.5	Seconds	–
SID181 ^[11]	F _{END}	Flash endurance	100 K	–	–	Cycles	–
SID182 ^[11]	F _{RET}	Flash retention. T _A ≤ 55 °C, 100 K P/E cycles	20	–	–	Years	–
SID182A ^[11]	–	Flash retention. T _A ≤ 85 °C, 10 K P/E cycles	10	–	–	Years	–
SID256	TWS48	Number of Wait states at 48 MHz	2	–	–		CPU execution from Flash
SID257	TWS24	Number of Wait states at 24 MHz	1	–	–		CPU execution from Flash

System Resources
Power-on Reset (POR)
Table 28. Power On Reset (PRES)

Spec ID#	Parameter	Description	Min	Typ	Max	Units	Details/Conditions
SID.CLK#6	SR_POWER_UP	Power supply slew rate	1	–	67	V/ms	At power-up and power-down.
SID185 ^[11]	V _{RISEIPOR}	Rising trip voltage	0.80	–	1.5	V	–
SID186 ^[11]	V _{FALLIPOR}	Falling trip voltage	0.70	–	1.4	V	–

Table 29. Brown-out Detect (BOD) for V_{CCD}

Spec ID#	Parameter	Description	Min	Typ	Max	Units	Details/Conditions
SID190 ^[11]	V _{FALLPPOR}	BOD trip voltage in active and sleep modes	1.48	–	1.62	V	–
SID192 ^[11]	V _{FALLDPSLP}	BOD trip voltage in Deep Sleep	1.1	–	1.5	V	–

Notes

10. It can take as much as 20 milliseconds to write to Flash. During this time the device should not be Reset, or Flash operations will be interrupted and cannot be relied on to have completed. Reset sources include the XRES pin, software resets, CPU lockup states and privilege violations, improper power supply levels, and watchdogs. Make certain that these are not inadvertently activated.

11. Guaranteed by characterization.

SWD Interface
Table 30. SWD Interface Specifications

Spec ID#	Parameter	Description	Min	Typ	Max	Units	Details/Conditions
SID213	F_SWDCCLK1	$3.3\text{ V} \leq V_{DD} \leq 5.5\text{ V}$	–	–	14	MHz	SWDCCLK \leq 1/3 CPU clock frequency
SID214	F_SWDCCLK2	$1.71\text{ V} \leq V_{DD} \leq 3.3\text{ V}$	–	–	7	MHz	SWDCCLK \leq 1/3 CPU clock frequency
SID215 ^[12]	T_SWDI_SETUP	$T = 1/f\text{ SWDCCLK}$	0.25*T	–	–	ns	–
SID216 ^[12]	T_SWDI_HOLD	$T = 1/f\text{ SWDCCLK}$	0.25*T	–	–	ns	–
SID217 ^[12]	T_SWDO_VALID	$T = 1/f\text{ SWDCCLK}$	–	–	0.5*T	ns	–
SID217A ^[12]	T_SWDO_HOLD	$T = 1/f\text{ SWDCCLK}$	1	–	–	ns	–

Internal Main Oscillator
Table 31. IMO DC Specifications

(Guaranteed by Design)

Spec ID#	Parameter	Description	Min	Typ	Max	Units	Details/Conditions
SID218	I _{IMO1}	IMO operating current at 48 MHz	–	–	250	μA	–
SID219	I _{IMO2}	IMO operating current at 24 MHz	–	–	180	μA	–

Table 32. IMO AC Specifications

Spec ID#	Parameter	Description	Min	Typ	Max	Units	Details/Conditions
SID223	F _{IMOTOL1}	Frequency range from 24 to 48 MHz (4-MHz increments)	–2	–	+2	%	$2\text{ V} \leq V_{DD} \leq 5.5\text{ V}$, and $-25\text{ }^{\circ}\text{C} \leq T_A \leq 85\text{ }^{\circ}\text{C}$
SID226	T _{STARTIMO}	IMO startup time	–	–	7	μs	–
SID228	T _{JITRMSIMO2}	RMS jitter at 24 MHz	–	145	–	ps	–

Internal Low-Speed Oscillator
Table 33. ILO DC Specifications

(Guaranteed by Design)

Spec ID#	Parameter	Description	Min	Typ	Max	Units	Details/Conditions
SID231 ^[12]	I _{ILO1}	ILO operating current	–	0.3	1.05	μA	–

Table 34. ILO AC Specifications

Spec ID#	Parameter	Description	Min	Typ	Max	Units	Details/Conditions
SID234 ^[12]	T _{STARTILO1}	ILO startup time	–	–	2	ms	–
SID236 ^[12]	T _{ILODUTY}	ILO duty cycle	40	50	60	%	–
SID237	F _{ILOTRIM1}	ILO frequency range	20	40	80	kHz	–

Note

12. Guaranteed by characterization.

Table 35. Watch Crystal Oscillator (WCO) Specifications

Spec ID#	Parameter	Description	Min	Typ	Max	Units	Details / Conditions
SID398	FWCO	Crystal Frequency	–	32.768	–	kHz	–
SID399	FTOL	Frequency tolerance	–	50	250	ppm	With 20-ppm crystal
SID400	ESR	Equivalent series resistance	–	50	–	kΩ	–
SID401	PD	Drive Level	–	–	1	μW	–
SID402	TSTART	Startup time	–	–	500	ms	–
SID403	CL	Crystal Load Capacitance	6	–	12.5	pF	–
SID404	C0	Crystal Shunt Capacitance	–	1.35	–	pF	–
SID405	IWCO1	Operating Current (high power mode)	–	–	8	μA	–

Table 36. External Clock Specifications

Spec ID#	Parameter	Description	Min	Typ	Max	Units	Details/Conditions
SID305 ^[13]	ExtClkFreq	External clock input frequency	0	–	48	MHz	–
SID306 ^[13]	ExtClkDuty	Duty cycle; measured at $V_{DD/2}$	45	–	55	%	–

Table 37. Block Specs

Spec ID#	Parameter	Description	Min	Typ	Max	Units	Details/Conditions
SID262 ^[13]	T _{CLKSWITCH}	System clock source switching time	3	–	4	Periods	–

Table 38. PRGIO Pass-through Time (Delay in Bypass Mode)

Spec ID#	Parameter	Description	Min	Typ	Max	Units	Details / Conditions
SID252	PRG_BYPASS	Max. delay added by PRGIO in bypass mode	–	–	1.6	ns	–

Note

13. Guaranteed by characterization.

Ordering Information

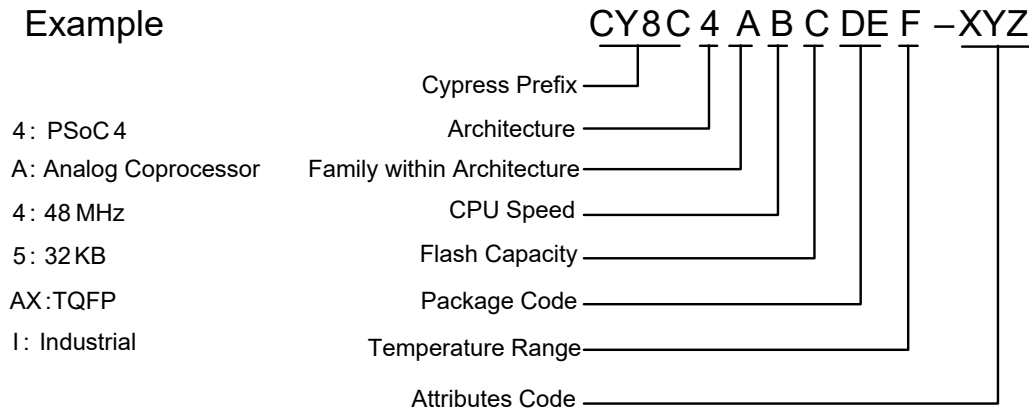
Category	MPN	Features														Package				
		Max CPU Speed (MHz)	DMA	Flash (KB)	SRAM (KB)	UAB	Opamp (CTB)	CSD	Direct LCD Drive	RTC	12-bit SAR ADC	LP Comparators	TCPWM Blocks	SCB Blocks	Smart I/Os	GPIO	28-SSOP	45-WLCSP	48-QFN	48-TQFP
4A45	CY8C4A45PVI-481	48	✓	32	4	1	4	✓	✓	✓	1000 ksps	2	8	3	8	20	✓	-	-	-
	CY8C4A45FNI-483	48	✓	32	4	1	4	✓	✓	✓	1000 ksps	2	8	3	8	37	-	✓	-	-
	CY8C4A45LQI-483	48	✓	32	4	1	4	✓	✓	✓	1000 ksps	2	8	3	8	38	-	-	✓	-
	CY8C4A45AZI-483	48	✓	32	4	1	4	✓	✓	✓	1000 ksps	2	8	3	8	38	-	-	-	✓

The nomenclature used in the preceding table is based on the following part numbering convention:

Field	Description	Values	Meaning
CY8C	Cypress Prefix		
4	Signal Processing Engine	4	4 = Arm Cortex-M0+ CPU
A	Family	A	A = Analog Coprocessor
B	Signal Processing Engine Speed	2	24 MHz
		4	48 MHz
C	Flash Memory Capacity	4	16 KB
		5	32 KB
		6	64 KB
		7	128 KB
DE	Package Code	AX	TQFP (0.8mm pitch)
		AZ	TQFP (0.5mm pitch)
		LQ	QFN
		PV	SSOP
		FN	CSP
F	Temperature Range	I	Industrial
		Q	Extended Industrial
XYZ	Attributes Code	000-999	Code of feature set in the specific family

The following is an example of a part number:

Example



Packaging

Spec ID#	Package	Description	Package DWG#
BID20	48-pin TQFP	7 × 7 × 1.4 mm height with 0.5-mm pitch	51-85135
BID27	48-pin QFN	6 × 6 × 0.6 mm height with 0.4-mm pitch	001-57280
BID34	45-ball WLCSP	1.986 × 3.691 × 0.482-mm height with 0.38-mm pitch	002-24003
BID34A	28-pin SSOP	5.3 × 10.2 × 0.65-mm pitch	51-85079

Table 39. Package Thermal Characteristics

Parameter	Description	Package	Min	Typ	Max	Units
T _A	Operating Ambient temperature		-40	25	85	°C
T _J	Operating junction temperature		-40	–	105	°C
T _{JA}	Package θ_{JA}	48-pin TQFP	–	71	–	°C/Watt
T _{JC}	Package θ_{JC}	48-pin TQFP	–	34.3	–	°C/Watt
T _{JA}	Package θ_{JA}	48-pin QFN	–	18	–	°C/Watt
T _{JC}	Package θ_{JC}	48-pin QFN	–	4.5	–	°C/Watt
T _{JA}	Package θ_{JA}	45-Ball WLCSP	–	37.2	–	°C/Watt
T _{JC}	Package θ_{JC}	45-Ball WLCSP	–	0.31	–	°C/Watt
T _{JA}	Package θ_{JA}	28-pin SSOP	–	60	–	°C/Watt
T _{JC}	Package θ_{JC}	28-pin SSOP	–	25	–	°C/Watt

Table 40. Solder Reflow Peak Temperature

Package	Maximum Peak Temperature	Maximum Time at Peak Temperature
All	260 °C	30 seconds

Table 41. Package Moisture Sensitivity Level (MSL), IPC/JEDEC J-STD-020

Package	MSL
All	MSL 3

Package Diagrams

Figure 7. 48-pin TQFP Package Outline

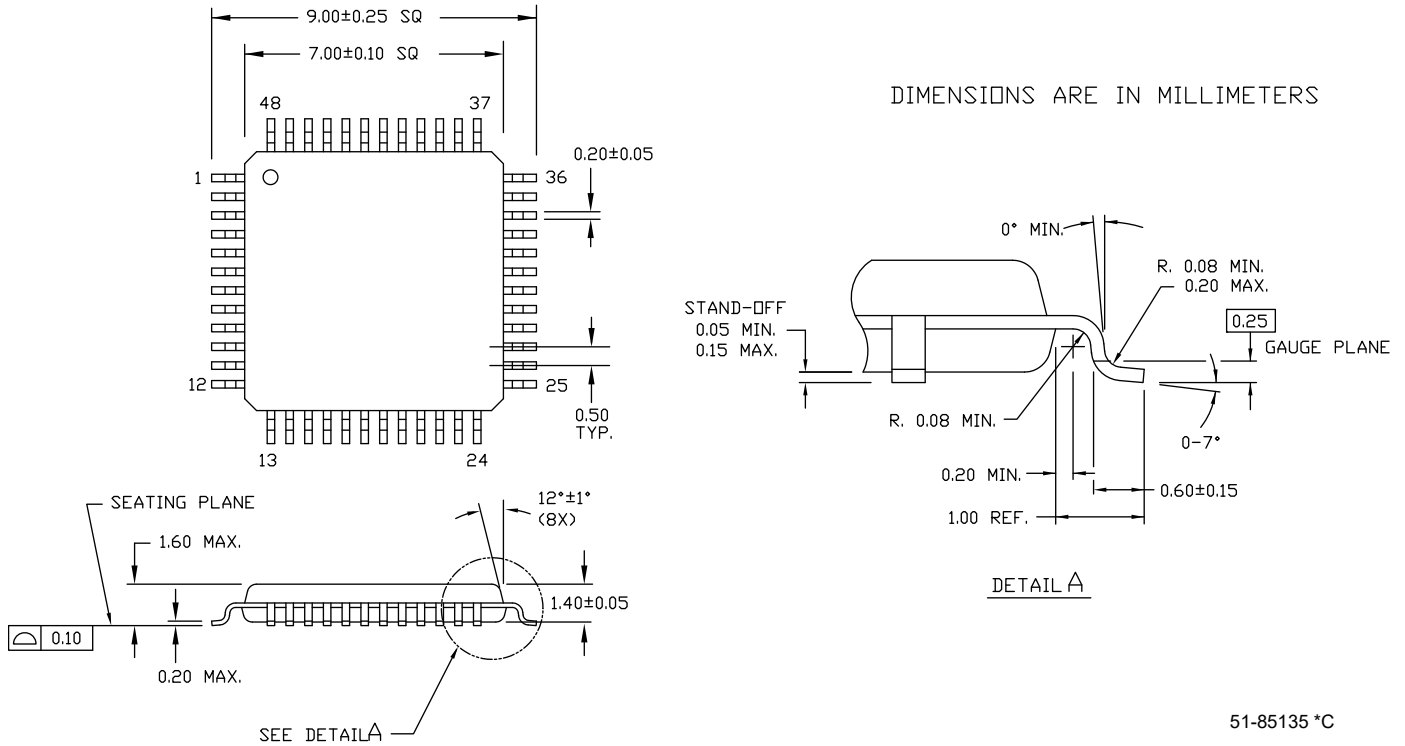
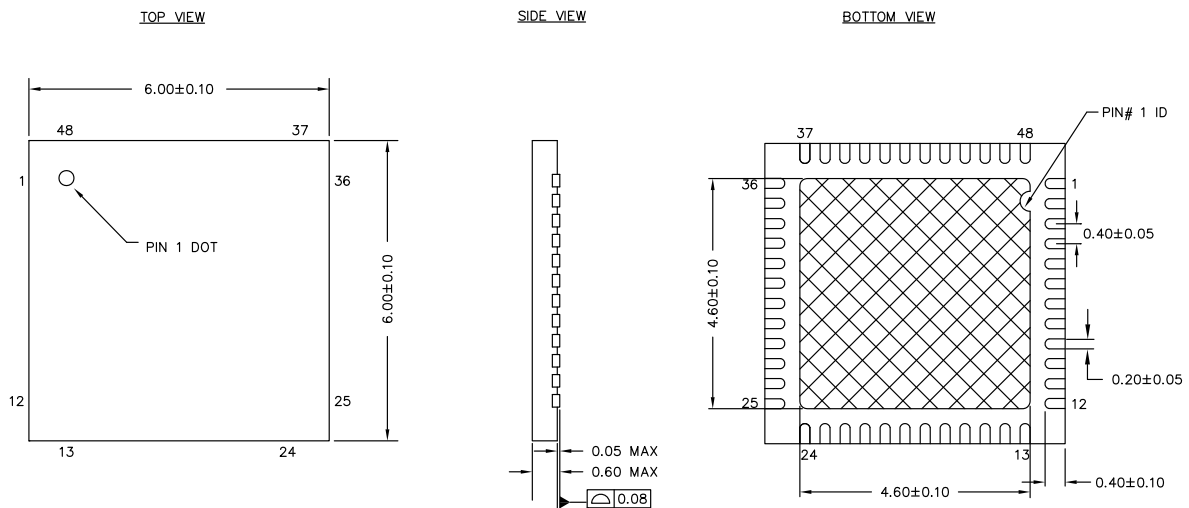



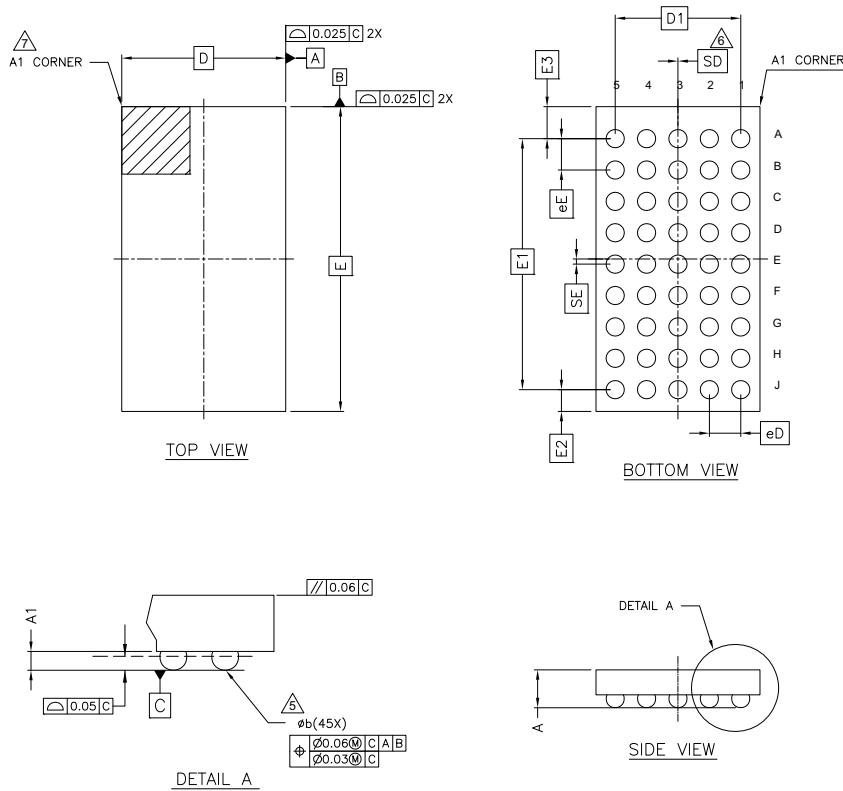
Figure 8. 48-Pin QFN Package Outline



NOTES:

1.  HATCH AREA IS SOLDERABLE EXPOSED PAD
2. REFERENCE JEDEC # MO-248
3. PACKAGE WEIGHT: 68 ± 7 mg
4. ALL DIMENSIONS ARE IN MILLIMETERS

001-57280 *E

Figure 9. 45-Ball WLCSP Dimensions


SYMBOL	DIMENSIONS		
	MIN	NOM	MAX
A	-	-	0.482
A1	0.141	-	-
D	1.986 BSC		
E	3.691 BSC		
D1	1.52 BSC		
E1	3.04 BSC		
E2	0.263 BSC		
E3	0.388 BSC		
MD	5		
ME	9		
N	45		
∅b	0.19	0.22	0.25
eD	0.38 BSC		
eE	0.38 BSC		
SD	0.00 BSC		
SE	0.063 BSC		

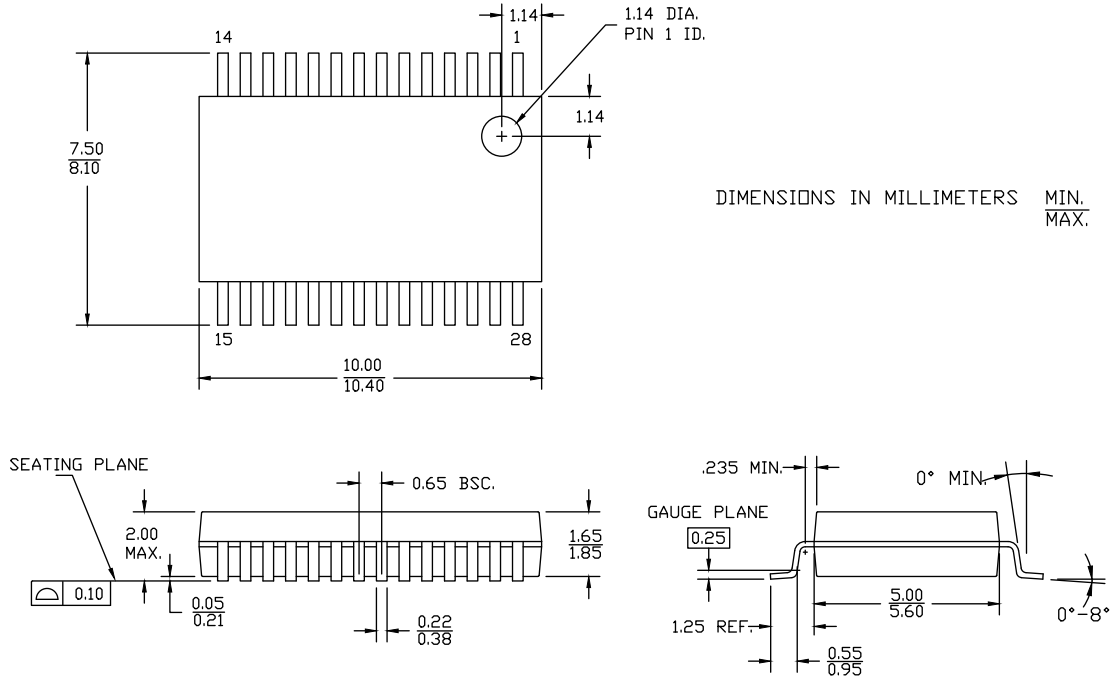
NOTES:

- ALL DIMENSIONS ARE IN MILLIMETERS.
- SOLDER BALL POSITION DESIGNATION PER JEP95, SECTION 3, SPP-020.
- "e" REPRESENTS THE SOLDER BALL GRID PITCH.
- SYMBOL "MD" IS THE BALL MATRIX SIZE IN THE "D" DIRECTION. SYMBOL "ME" IS THE BALL MATRIX SIZE IN THE "E" DIRECTION. N IS THE NUMBER OF POPULATED SOLDER BALL POSITIONS FOR MATRIX SIZE MD X ME.
- DIMENSION "b" IS MEASURED AT THE MAXIMUM BALL DIAMETER IN A PLANE PARALLEL TO DATUM C.
- "SD" AND "SE" ARE MEASURED WITH RESPECT TO DATUMS A AND B AND DEFINE THE POSITION OF THE CENTER SOLDER BALL IN THE OUTER ROW. WHEN THERE IS AN ODD NUMBER OF SOLDER BALLS IN THE OUTER ROW, "SD" OR "SE" = 0. WHEN THERE IS AN EVEN NUMBER OF SOLDER BALLS IN THE OUTER ROW, "SD" = eD/2 AND "SE" = eE/2.
- A1 CORNER TO BE IDENTIFIED BY CHAMFER, LASER OR INK MARK, METALIZED MARK, INDENTATION OR OTHER MEANS.
- "+" INDICATES THE THEORETICAL CENTER OF DEPOPULATED SOLDER BALLS.
- JEDEC SPECIFICATION NO. REF. : N/A.

002-24003 **

Figure 10. 28-Pin SSOP Package Outline

28 Lead (10.2 X 5.3mm) SSOP



51-85079 *G

Acronyms

Table 42. Acronyms Used in this Document

Acronym	Description
abus	analog local bus
ADC	analog-to-digital converter
AG	analog global
AHB	AMBA (advanced microcontroller bus architecture) high-performance bus, an Arm data transfer bus
ALU	arithmetic logic unit
AMUXBUS	analog multiplexer bus
API	application programming interface
APSR	application program status register
Arm®	advanced RISC machine, a CPU architecture
ATM	automatic thump mode
BW	bandwidth
CAN	Controller Area Network, a communications protocol
CMRR	common-mode rejection ratio
CPU	central processing unit
CRC	cyclic redundancy check, an error-checking protocol
DAC	digital-to-analog converter, see also IDAC, VDAC
DFB	digital filter block
DIO	digital input/output, GPIO with only digital capabilities, no analog. See GPIO.
DMIPS	Dhrystone million instructions per second
DMA	direct memory access, see also TD
DNL	differential nonlinearity, see also INL
DNU	do not use
DR	port write data registers
DSI	digital system interconnect
DWT	data watchpoint and trace
ECC	error correcting code
ECO	external crystal oscillator
EEPROM	electrically erasable programmable read-only memory
EMI	electromagnetic interference
EMIF	external memory interface
EOC	end of conversion
EOF	end of frame
EPSR	execution program status register
ESD	electrostatic discharge

Table 42. Acronyms Used in this Document (continued)

Acronym	Description
ETM	embedded trace macrocell
FIR	finite impulse response, see also IIR
FPB	flash patch and breakpoint
FS	full-speed
GPIO	general-purpose input/output, applies to a PSoC pin
HVI	high-voltage interrupt, see also LVI, LVD
IC	integrated circuit
IDAC	current DAC, see also DAC, VDAC
IDE	integrated development environment
I ² C, or IIC	Inter-Integrated Circuit, a communications protocol
IIR	infinite impulse response, see also FIR
ILO	internal low-speed oscillator, see also IMO
IMO	internal main oscillator, see also ILO
INL	integral nonlinearity, see also DNL
I/O	input/output, see also GPIO, DIO, SIO, USBIO
IPOR	initial power-on reset
IPSR	interrupt program status register
IRQ	interrupt request
ITM	instrumentation trace macrocell
LCD	liquid crystal display
LIN	Local Interconnect Network, a communications protocol.
LR	link register
LUT	lookup table
LVD	low-voltage detect, see also LVI
LVI	low-voltage interrupt, see also HVI
LVTTTL	low-voltage transistor-transistor logic
MAC	multiply-accumulate
MCU	microcontroller unit
MISO	master-in slave-out
NC	no connect
NMI	nonmaskable interrupt
NRZ	non-return-to-zero
NVIC	nested vectored interrupt controller
NVL	nonvolatile latch, see also WOL
opamp	operational amplifier
PAL	programmable array logic, see also PLD

Table 42. Acronyms Used in this Document *(continued)*

Acronym	Description
PC	program counter
PCB	printed circuit board
PGA	programmable gain amplifier
PHUB	peripheral hub
PHY	physical layer
PICU	port interrupt control unit
PLA	programmable logic array
PLD	programmable logic device, see also PAL
PLL	phase-locked loop
PMDD	package material declaration data sheet
POR	power-on reset
PRES	precise power-on reset
PRS	pseudo random sequence
PS	port read data register
PSoC®	Programmable System-on-Chip™
PSRR	power supply rejection ratio
PWM	pulse-width modulator
RAM	random-access memory
RISC	reduced-instruction-set computing
RMS	root-mean-square
RTC	real-time clock
RTL	register transfer language
RTR	remote transmission request
RX	receive
SAR	successive approximation register
SC/CT	switched capacitor/continuous time
SCL	I ² C serial clock
SDA	I ² C serial data
S/H	sample and hold
SINAD	signal to noise and distortion ratio
SIO	special input/output, GPIO with advanced features. See GPIO.
SOC	start of conversion
SOF	start of frame
SPI	Serial Peripheral Interface, a communications protocol
SR	slew rate
SRAM	static random access memory
SRES	software reset
SWD	serial wire debug, a test protocol

Table 42. Acronyms Used in this Document *(continued)*

Acronym	Description
SWV	single-wire viewer
TD	transaction descriptor, see also DMA
THD	total harmonic distortion
TIA	transimpedance amplifier
TRM	technical reference manual
TTL	transistor-transistor logic
TX	transmit
UART	Universal Asynchronous Transmitter Receiver, a communications protocol
UDB	universal digital block
USB	Universal Serial Bus
USBIO	USB input/output, PSoC pins used to connect to a USB port
VDAC	voltage DAC, see also DAC, IDAC
WDT	watchdog timer
WOL	write once latch, see also NVL
WRES	watchdog timer reset
XRES	external reset I/O pin
XTAL	crystal

Document Conventions

Units of Measure

Table 43. Units of Measure

Symbol	Unit of Measure
°C	degrees Celsius
dB	decibel
fF	femto farad
Hz	hertz
KB	1024 bytes
kbps	kilobits per second
Khr	kilohour
kHz	kilohertz
kΩ	kilo ohm
ksps	kilosamples per second
LSB	least significant bit
Mbps	megabits per second
MHz	megahertz
MΩ	mega-ohm
Msps	megasamples per second
μA	microampere
μF	microfarad
μH	microhenry
μs	microsecond
μV	microvolt
μW	microwatt
mA	milliampere
ms	millisecond
mV	millivolt
nA	nanoampere
ns	nanosecond
nV	nanovolt
Ω	ohm
pF	picofarad
ppm	parts per million
ps	picosecond
s	second
sps	samples per second
sqrtHz	square root of hertz
V	volt

Revision History

Description Title: PSoC Analog Coprocessor: CY8C4Axx Family Datasheet Programmable System-on-Chip (PSoC) Document Number: 001-96467			
Revision	ECN	Submission Date	Description of Change
*E	5312324	06/30/2016	Release to web
*F	5518120	11/11/2016	Formatted page layout for Alternate Pin Functions .
*G	5993845	12/14/2017	<p>Added More Information. Updated Pinouts. Added extended temperature range in Device Level Specifications. Updated SID65 typ and max values. Updated SID300 max value. Added SID182B. Updated typ and max values for SID307. Updated min, typ, and max values for SID79. Updated max value for BID194. Updated conditions for SID_DS_13, SID_DS_14, SID_DS_15, SID_DS_16, SID_DS_17, and SID_DS_18. Updated conditions for SID_SC_3. Updated description and min value for SID_SC_9. Added SID_SC_13. Added footnote for Table 15. Updated max value and conditions for SID.CSD.BLK. Updated max values for SID_CSD#16 and SID_CSD#17. Updated max value for SID314. Updated min and max values for SID315B, max values for SID315F, SID315H, and SID322B. Updated max value and conditions for SID171. Removed specs SID330 and SID406. Added extended temperature range in Packaging. Updated Ordering Information. Updated fix status in Revision History to Q2 2018. Updated logo and copyright information.</p>
*H	6318827	09/25/2018	<p>Updated Programmable Analog Blocks. Updated Table 2, Table 6, Table 8, Table 10, Table 27, and Table 36. Updated 45-ball WLCSP package drawing. Updated Ordering Information. Removed Errata</p>
*I	6553626	04/22/2019	<p>Updated GPIO DC Specifications and GPIO AC Specifications. Updated BID194, SID_DAC_8. Updated SID322, SID322B. Updated 10-bit CapSense ADC Specifications.</p>
*J	7047112	12/16/2020	<p>Updated Conditions for SR_POWER_UP in Table 28. Updated Figure 10 (spec 51-85079 *F to *G) in Packaging. Updated Sales, Solutions, and Legal Information.</p>

Sales, Solutions, and Legal Information

Worldwide Sales and Design Support

Cypress maintains a worldwide network of offices, solution centers, manufacturer's representatives, and distributors. To find the office closest to you, visit us at [Cypress Locations](#).

Products

Arm [®] Cortex [®] Microcontrollers	cypress.com/arm
Automotive	cypress.com/automotive
Clocks & Buffers	cypress.com/clocks
Interface	cypress.com/interface
Internet of Things	cypress.com/iot
Memory	cypress.com/memory
Microcontrollers	cypress.com/mcu
PSoC	cypress.com/psoc
Power Management ICs	cypress.com/pmic
Touch Sensing	cypress.com/touch
USB Controllers	cypress.com/usb
Wireless Connectivity	cypress.com/wireless

PSoC[®] Solutions

[PSoC 1](#) | [PSoC 3](#) | [PSoC 4](#) | [PSoC 5LP](#) | [PSoC 6 MCU](#)

Cypress Developer Community

[Community](#) | [Code Examples](#) | [Projects](#) | [Video](#) | [Blogs](#) | [Training](#) | [Components](#)

Technical Support

cypress.com/support

© Cypress Semiconductor Corporation, 2015-2020. This document is the property of Cypress Semiconductor Corporation and its subsidiaries ("Cypress"). This document, including any software or firmware included or referenced in this document ("Software"), is owned by Cypress under the intellectual property laws and treaties of the United States and other countries worldwide. Cypress reserves all rights under such laws and treaties and does not, except as specifically stated in this paragraph, grant any license under its patents, copyrights, trademarks, or other intellectual property rights. If the Software is not accompanied by a license agreement and you do not otherwise have a written agreement with Cypress governing the use of the Software, then Cypress hereby grants you a personal, non-exclusive, nontransferable license (without the right to sublicense) (1) under its copyright rights in the Software (a) for Software provided in source code form, to modify and reproduce the Software solely for use with Cypress hardware products, only internally within your organization, and (b) to distribute the Software in binary code form externally to end users (either directly or indirectly through resellers and distributors), solely for use on Cypress hardware product units, and (2) under those claims of Cypress's patents that are infringed by the Software (as provided by Cypress, unmodified) to make, use, distribute, and import the Software solely for use with Cypress hardware products. Any other use, reproduction, modification, translation, or compilation of the Software is prohibited.

TO THE EXTENT PERMITTED BY APPLICABLE LAW, CYPRESS MAKES NO WARRANTY OF ANY KIND, EXPRESS OR IMPLIED, WITH REGARD TO THIS DOCUMENT OR ANY SOFTWARE OR ACCOMPANYING HARDWARE, INCLUDING, BUT NOT LIMITED TO, THE IMPLIED WARRANTIES OF MERCHANTABILITY AND FITNESS FOR A PARTICULAR PURPOSE. No computing device can be absolutely secure. Therefore, despite security measures implemented in Cypress hardware or software products, Cypress shall have no liability arising out of any security breach, such as unauthorized access to or use of a Cypress product. CYPRESS DOES NOT REPRESENT, WARRANT, OR GUARANTEE THAT CYPRESS PRODUCTS, OR SYSTEMS CREATED USING CYPRESS PRODUCTS, WILL BE FREE FROM CORRUPTION, ATTACK, VIRUSES, INTERFERENCE, HACKING, DATA LOSS OR THEFT, OR OTHER SECURITY INTRUSION (collectively, "Security Breach"). Cypress disclaims any liability relating to any Security Breach, and you shall and hereby do release Cypress from any claim, damage, or other liability arising from any Security Breach. In addition, the products described in these materials may contain design defects or errors known as errata which may cause the product to deviate from published specifications. To the extent permitted by applicable law, Cypress reserves the right to make changes to this document without further notice. Cypress does not assume any liability arising out of the application or use of any product or circuit described in this document. Any information provided in this document, including any sample design information or programming code, is provided only for reference purposes. It is the responsibility of the user of this document to properly design, program, and test the functionality and safety of any application made of this information and any resulting product. "High-Risk Device" means any device or system whose failure could cause personal injury, death, or property damage. Examples of High-Risk Devices are weapons, nuclear installations, surgical implants, and other medical devices. "Critical Component" means any component of a High-Risk Device whose failure to perform can be reasonably expected to cause, directly or indirectly, the failure of the High-Risk Device, or to affect its safety or effectiveness. Cypress is not liable, in whole or in part, and you shall and hereby do release Cypress from any claim, damage, or other liability arising from any use of a Cypress product as a Critical Component in a High-Risk Device. You shall indemnify and hold Cypress, its directors, officers, employees, agents, affiliates, distributors, and assigns harmless from and against all claims, costs, damages, and expenses, arising out of any claim, including claims for product liability, personal injury or death, or property damage arising from any use of a Cypress product as a Critical Component in a High-Risk Device. Cypress products are not intended or authorized for use as a Critical Component in any High-Risk Device except to the limited extent that (i) Cypress's published data sheet for the product explicitly states Cypress has qualified the product for use in a specific High-Risk Device, or (ii) Cypress has given you advance written authorization to use the product as a Critical Component in the specific High-Risk Device and you have signed a separate indemnification agreement.

Cypress, the Cypress logo, Spansion, the Spansion logo, and combinations thereof, WICED, PSoC, CapSense, EZ-USB, F-RAM, and Traveo are trademarks or registered trademarks of Cypress in the United States and other countries. For a more complete list of Cypress trademarks, visit cypress.com. Other names and brands may be claimed as property of their respective owners.

Mouser Electronics

Authorized Distributor

Click to View Pricing, Inventory, Delivery & Lifecycle Information:

[Infineon:](#)

[CY8C4A45PVI-481](#) [CY8C4A45FNI-483](#) [CY8C4A45LQI-483](#) [CY8C4A45AZI-483](#)