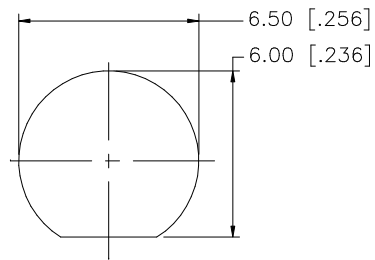
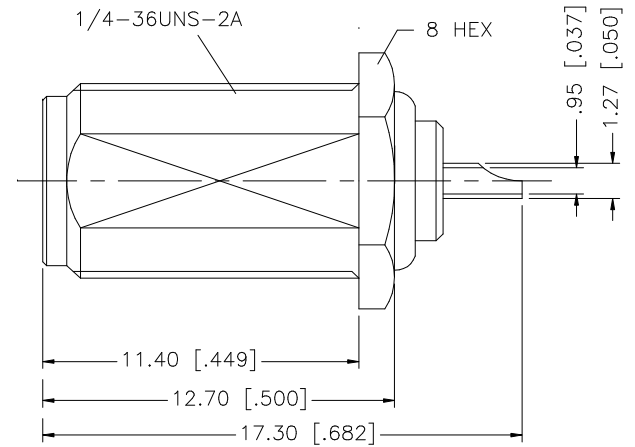
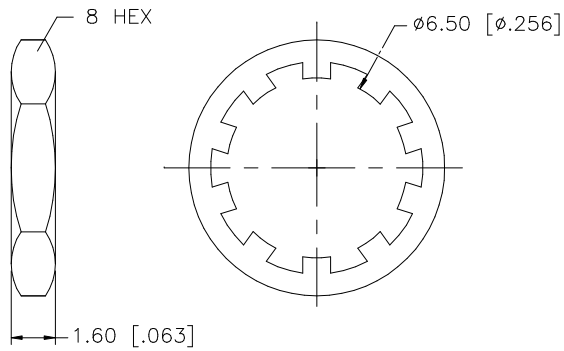


REV.	DATE	DESCRIPTION
A	01/25/04	UPDATE DRAWING FORMAT



RECOMMENDED MOUNTING HOLE



8					<p>UNLESS OTHERWISE SPECIFIED DIMENSIONS ARE IN MILLIMETERS. DIMENSIONS IN [ ] ARE IN INCHES AND FOR CUSTOMER REFERENCE ONLY.</p> <p>UNLESS OTHERWISE SPECIFIED TOLERANCES FOR MILLIMETERS ARE:  0.5 - 8mm ± 0.20mm  8 - 30mm ± 0.40mm  30 - 120mm ± 0.50mm</p> <p>UNLESS OTHERWISE SPECIFIED TOLERANCES FOR INCHES ARE:  .020 - .315 = ± 0.007"  .315 - 1.180 = ± 0.015"  1.180 - 4.724 = ± 0.020"</p> <p>DO NOT SCALE DRAWING</p>	APPROVALS	DATE	<h1 style="color: blue; text-align: center;">Amphenol Connex</h1>			
7				DRAWN		G.R.S.	01/25/04				
6				CHECKED				PART DESCRIPTION <h2 style="text-align: center;">SMA BULKHEAD RECEPT. JACK</h2>			
5	HEX NUT	BRASS	GOLD	1		ISSUED					
4	LOCK WASHER	BRASS	GOLD	1		SHEET	1 OF 1		PART NO. <h2 style="text-align: center;">132139</h2>		
3	CONTACT PIN	BER. COPPER	GOLD	1		CAD FILE	C:/132/132139.DWG				
2	INSULATOR	TEFLON	NATURAL	1		DWG. NO.	132139.DWG	REV. A	SIZE A	SCALE NA	
1	BODY	BRASS	GOLD	1							
	DESCRIPTION	MATERIAL	FINISH	QTY							

# Mouser Electronics

Authorized Distributor

Click to View Pricing, Inventory, Delivery & Lifecycle Information:

[Amphenol:](#)

[132139](#)