

Chassis Mount

CL2 Series

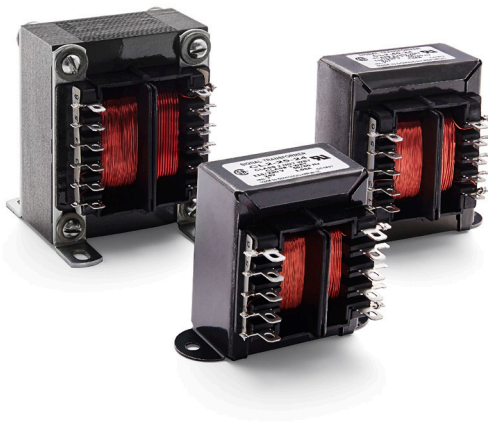
Class 2 Transformers

Inherently or Non-Inherently Limited

Signal's CL2 transformers are available in printed circuit and chassis mount versions. They are supplied as inherently or non-inherently limited units that are UL 1585 / UL 5085 recognized.

General Specifications

- Power - 25 VA to 80 VA
- Dielectric Strength - 4000 Vrms Hipot
- Primaries - Dual primaries, 115/230 V, 50/60 Hz
- Secondaries - Single secondary
- Class 2 Rating - Inherently or non-inherently limited (secondary fuse requirements below)
- Electrostatic Shield - Not necessary, split or dual bobbin construction
- Terminals - Solder lug/quick connect type terminals
- Insulation System - Class F insulation, 155° C
- Flammability Rating - Bobbin and shroud material meet UL 94V0



Agency Certifications

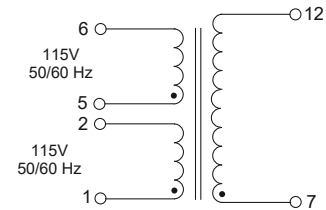
- UL recognized to UL 1585 / UL 5085-3, File # E116583
- CSA certified to C22.2 #66.1

CL2 Series Datasheet

Part Number Selection

Part Number	Secondary RMS Rating	Secondary Fuse Required
CL2-25-12	12 V @ 2.10 A	2.5 A*
CL2-25-24	24 V @ 1.05 A	1.5 A*
CL2-40-12	12 V @ 3.33 A	4.0 A*
CL2-40-24	24 V @ 1.66 A	2.0 A*
CL2-80-24	24 V @ 3.33 A	3.5 A*

* Non-inherently limited
Maximum secondary fuse value specified. All primaries are 115/230 V, 50/60 Hz.

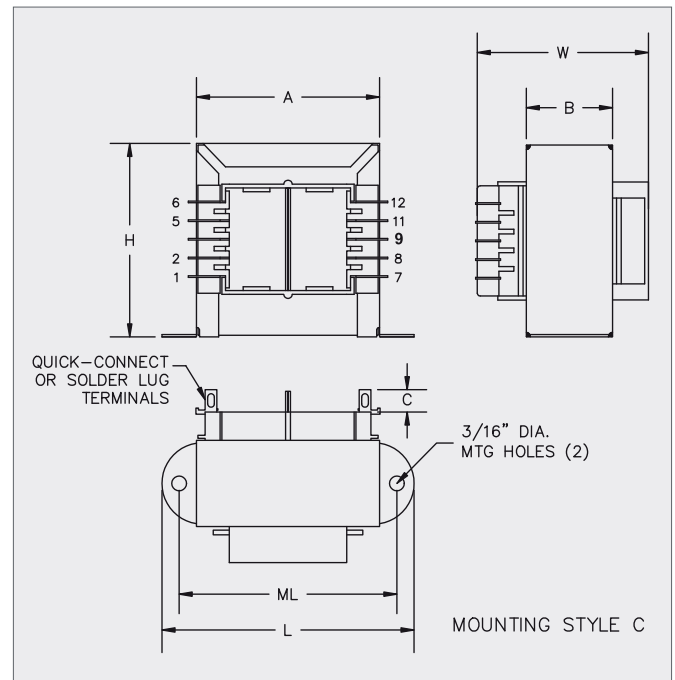
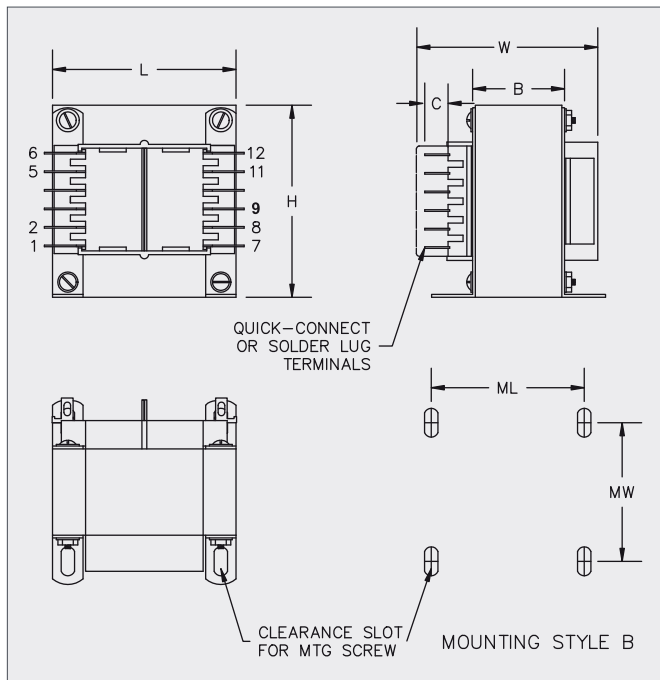


• Indicates like polarity

Primaries are designed to be used simultaneously. That is, they must be used either series or parallel connected (as one winding).

Mechanical Specifications

VA	Mechanical Dimensions						Terminals	Mounting Style	Mounting Dimensions		Mounting Screw	Weight
	L	W	H	A	B	C			ML	MW		
Size	Inches (mm)						Inches (mm)					lbs (kg)
25	2.81 (71.4)	2.14 (54.4)	2.31 (58.7)	2.00 (50.8)	1.12 (28.6)	0.31 (7.9)	0.187 (4.75)	C	2.37 (60.3)	—	#6	1.25 (0.57)
40	3.12 (79.4)	2.14 (54.4)	2.68 (68.2)	2.25 (57.2)	1.12 (28.6)	0.31 (7.9)	0.187 (4.75)	C	2.81 (71.4)	—	#6	1.6 (0.73)
80	2.50 (63.5)	2.52 (64.3)	3.06 (77.7)	—	1.37 (35.0)	0.31 (7.9)	0.187 (4.75)	B	2.00 (50.8)	2.18 (55.5)	#6	2.8 (1.27)



Custom versions available upon request.



128 Atlantic Avenue, Lynbrook, NY 11563
Toll Free 866-239-5777 | Tel 516-239-5777 | Fax 516-239-7208
sales@signaltransformer.com | techhelp@signaltransformer.com

belfuse.com/signal

Mouser Electronics

Authorized Distributor

Click to View Pricing, Inventory, Delivery & Lifecycle Information:

Bel:

[CL2-25-12](#) [CL2-40-12](#) [CL2-25-24](#) [CL2-80-24](#) [CL2-40-24](#)