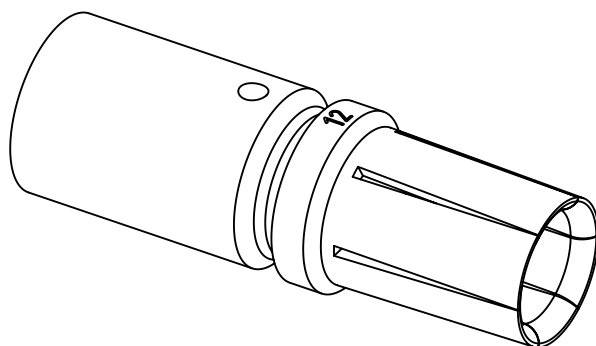
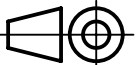


assembly notes see catalog  
 crimp zone acc. to DIN EN 46235 indicator 12  
 for stranded fine wire acc. to VDE 0295 class 5/ IEC 60228 class 5  
 wire gauge: 35mm<sup>2</sup>  
 stripping length: 16mm



	All rights reserved Department EL PD - DE	All Dimensions in mm Original Size DIN A4		Scale 2:1	Free size tol.		Ref.	
		HARTING Electric GmbH & Co. KG D-32339 Espelkamp		Created by HARLASSK	Inspected by GERB	Standardisation TIEMANNA	Date 2015-03-25	State Final Release
Title Han TC100 female contact 35mm <sup>2</sup>							Doc-Key / ECM-Nr. 100150730/UGD/004/C 500000086245	
Type TB				Number 09 11 000 6235			Rev. C	Page 1/1

# Mouser Electronics

Authorized Distributor

Click to View Pricing, Inventory, Delivery & Lifecycle Information:

[HARTING:](#)

[09110006235](#)