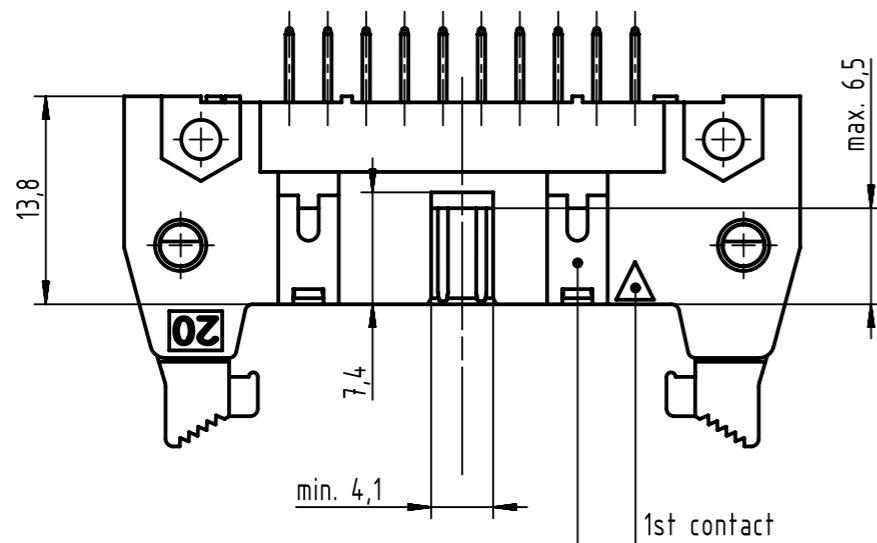
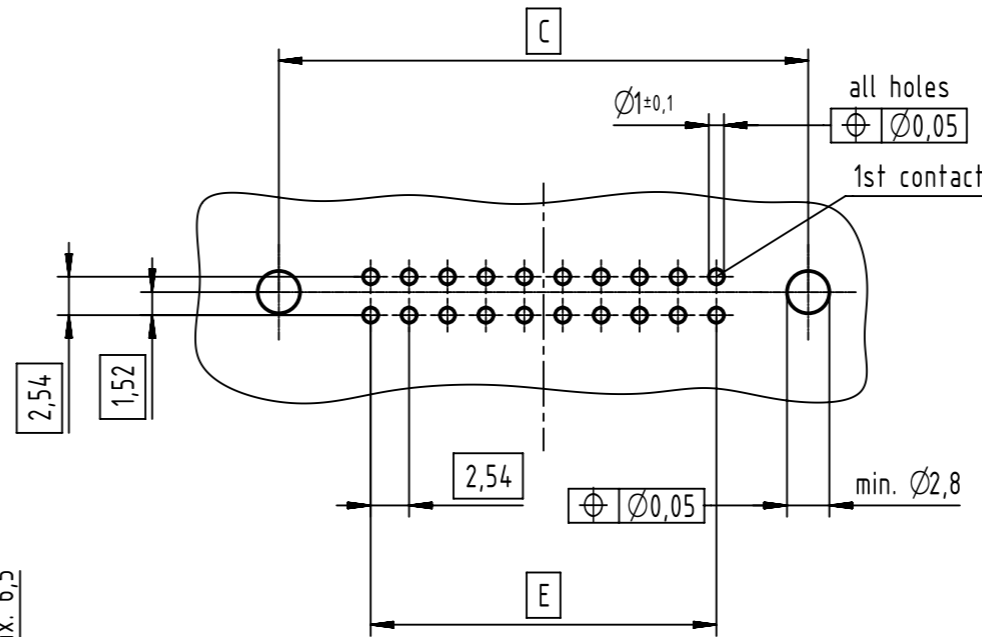
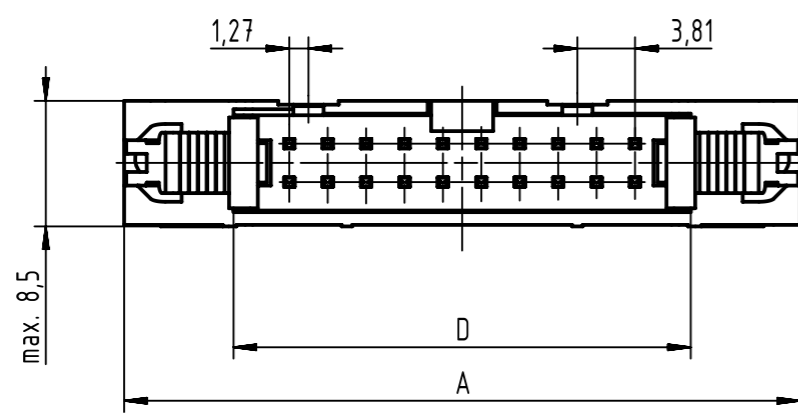
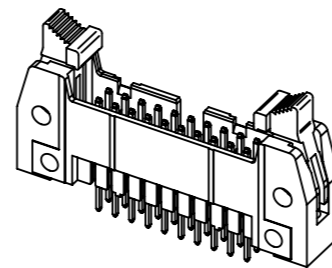


PCB layout
view component side
thickness up to 3,2



see table for coding,
feature arrangement and style




| coding style table | |
|--------------------|--|
| | style A: for connectors 6-pole |
| | style B: for connectors from 10 to 14-pole |
| | style C: for connectors from 16 to 64-pole |

further information
see: DS 09181200001

full range of P/N's and
dimensions shown on page 2/2

| | | | | | |
|---|--|--|--------------------------------|---|---|
| | All Dimensions in mm Original Size DIN A3 | Scale 2:1 | Free size tol. IEC 60603-13 | Ref. Sub. TB 09185XXX912 / 500000087654 / 2015-04-08 | |
| | All rights reserved Department EC PD - DE | Created by STORCK | Inspected by TADJE | Standardisation KOHLER | Date 2015-12-21 |
| HARTING Electronics GmbH D-32339 Espelkamp | | Title SEK 18 male standard conn straight with short lever 4.5 | | | Doc-Key / ECM-Nr. 100154464/UGD/020/A 50000094595 |
| | | Type TB | Number 09185XXX912 | | Rev. A Page 1/2 |

| no. of contacts | performance level | | | insulator colour | dimensions | | | | |
|-----------------|--------------------|--------------------|--------------------|------------------|------------|-------|-------|-------------------|-----------------|
| | PL3 | PL2 | S4 | | A max. | C | D | E | F |
| | part number | part number | part number | | | | | | |
| 06 | 09 18 506 7912 | 09 18 506 6912 | 09 18 506 5912 | grey | 27,2 | 22,86 | 12,45 | 2,54 x 2 = 5,08 | 36,9 |
| 10 | 09 18 510 7912 | 09 18 510 6912 | 09 18 510 5912 | | 32,3 | 27,94 | 17,53 | 2,54 x 4 = 10,16 | 42,0 |
| 14 | 09 18 514 7912 | 09 18 514 6912 | 09 18 514 5912 | | 37,4 | 33,02 | 22,61 | 2,54 x 6 = 15,24 | 47,1 |
| 16 | 09 18 516 7912 | 09 18 516 6912 | 09 18 516 5912 | | 39,9 | 35,56 | 25,15 | 2,54 x 7 = 17,78 | 49,6 |
| 20 | 09 18 520 7912 | 09 18 520 6912 | 09 18 520 5912 | | 45,0 | 40,64 | 30,23 | 2,54 x 9 = 22,86 | 54,7 |
| 24 | 09 18 524 7912 | 09 18 524 6912 | 09 18 524 5912 | | 50,1 | 45,72 | 35,91 | 2,54 x 11 = 27,94 | 59,8 |
| 26 | 09 18 526 7912 | 09 18 526 6912 | 09 18 526 5912 | | 52,6 | 48,26 | 37,85 | 2,54 x 12 = 30,48 | 62,3 |
| 30 | 09 18 530 7912 | 09 18 530 6912 | 09 18 530 5912 | | 58,0 | 53,34 | 43,83 | 2,54 x 14 = 35,56 | 68,2 |
| 34 | 09 18 534 7912 | 09 18 534 6912 | 09 18 534 5912 | | 62,8 | 58,42 | 48,01 | 2,54 x 16 = 40,64 | 72,5 |
| 40 | 09 18 540 7912 | 09 18 540 6912 | 09 18 540 5912 | | 70,4 | 66,04 | 55,63 | 2,54 x 19 = 48,26 | 80,1 |
| 50 | 09 18 550 7912 | 09 18 550 6912 | 09 18 550 5912 | | 83,1 | 78,74 | 68,33 | 2,54 x 24 = 60,96 | 92,8 |
| 60 | 09 18 560 7912 | 09 18 560 6912 | 09 18 560 5912 | | 95,8 | 91,44 | 81,03 | 2,54 x 29 = 73,66 | 105,5 |
| 64 | 09 18 564 7912 | 09 18 564 6912 | 09 18 564 5912 | | 100,9 | 96,52 | 86,11 | 2,54 x 31 = 78,74 | 110,6 |
| 06 | 09 18 506 7912 001 | 09 18 506 6912 001 | 09 18 506 5912 001 | | black | 27,2 | 22,86 | 12,45 | 2,54 x 2 = 5,08 |
| 10 | 09 18 510 7912 001 | 09 18 510 6912 001 | 09 18 510 5912 001 | 32,3 | | 27,94 | 17,53 | 2,54 x 4 = 10,16 | 42,0 |
| 14 | 09 18 514 7912 001 | 09 18 514 6912 001 | 09 18 514 5912 001 | 37,4 | | 33,02 | 22,61 | 2,54 x 6 = 15,24 | 47,1 |
| 16 | 09 18 516 7912 001 | 09 18 516 6912 001 | 09 18 516 5912 001 | 39,9 | | 35,56 | 25,15 | 2,54 x 7 = 17,78 | 49,6 |
| 20 | 09 18 520 7912 001 | 09 18 520 6912 001 | 09 18 520 5912 001 | 45,0 | | 40,64 | 30,23 | 2,54 x 9 = 22,86 | 54,7 |
| 24 | 09 18 524 7912 001 | 09 18 524 6912 001 | 09 18 524 5912 001 | 50,1 | | 45,72 | 35,91 | 2,54 x 11 = 27,94 | 59,8 |
| 26 | 09 18 526 7912 001 | 09 18 526 6912 001 | 09 18 526 5912 001 | 52,6 | | 48,26 | 37,85 | 2,54 x 12 = 30,48 | 62,3 |
| 30 | 09 18 530 7912 001 | 09 18 530 6912 001 | 09 18 530 5912 001 | 58,0 | | 53,34 | 43,83 | 2,54 x 14 = 35,56 | 68,2 |
| 34 | 09 18 534 7912 001 | 09 18 534 6912 001 | 09 18 534 5912 001 | 62,8 | | 58,42 | 48,01 | 2,54 x 16 = 40,64 | 72,5 |
| 40 | 09 18 540 7912 001 | 09 18 540 6912 001 | 09 18 540 5912 001 | 70,4 | | 66,04 | 55,63 | 2,54 x 19 = 48,26 | 80,1 |
| 50 | 09 18 550 7912 001 | 09 18 550 6912 001 | 09 18 550 5912 001 | 83,1 | | 78,74 | 68,33 | 2,54 x 24 = 60,96 | 92,8 |
| 60 | 09 18 560 7912 001 | 09 18 560 6912 001 | 09 18 560 5912 001 | 95,8 | | 91,44 | 81,03 | 2,54 x 29 = 73,66 | 105,5 |
| 64 | 09 18 564 7912 001 | 09 18 564 6912 001 | 09 18 564 5912 001 | 100,9 | | 96,52 | 86,11 | 2,54 x 31 = 78,74 | 110,6 |

| | | | | | | |
|---|---|--|-----------------------|---------------------------|---|------------------------|
|  | All rights reserved Department EC PD - DE | Created by STORCK | Inspected by TADJE | Standardisation KOHLER | Date 2015-12-21 | State Final Release |
| | HARTING Electronics GmbH D-32339 Espelkamp | Title SEK 18 male standard conn straight with short lever 4.5 | | | Doc-Key / ECM-Nr. 100154464/UGD/020/A 50000094595 | |
| | | Type TB | Number 09185XXX912 | | Rev. A | Page 2/2 |

Mouser Electronics

Authorized Distributor

Click to View Pricing, Inventory, Delivery & Lifecycle Information:

HARTING:

[09185065912](#) [09185066912](#) [09185067912](#) [09185105912](#) [09185106912](#) [09185145912](#) [09185147912](#)
[09185165912](#) [09185206912](#) [09185265912](#) [09185266912](#) [09185347912](#) [09185405912](#) [09185407912](#) [09185505912](#)
[09185506912](#) [09185606912](#) [09185645912](#) [09185647912](#) [09185346912](#) [09185107912](#) [09185166912](#)
[09185205912](#) [09185345912](#) [09185607912](#) [09185146912](#) [09185167912](#) [09185207912](#) [09185267912](#) [09185507912](#)
[09185646912](#) [09185406912](#) [09185605912](#)