

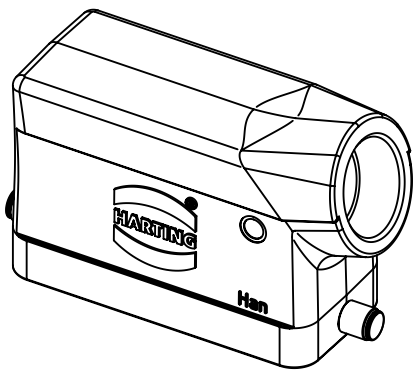
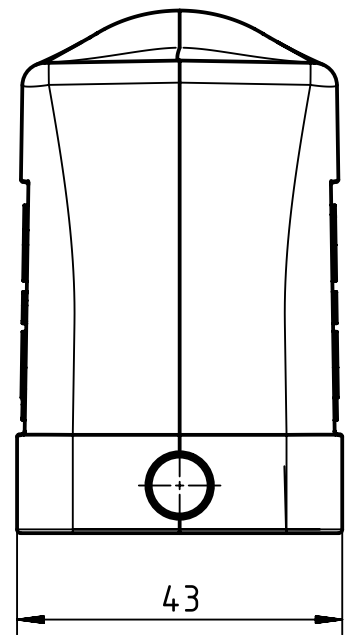
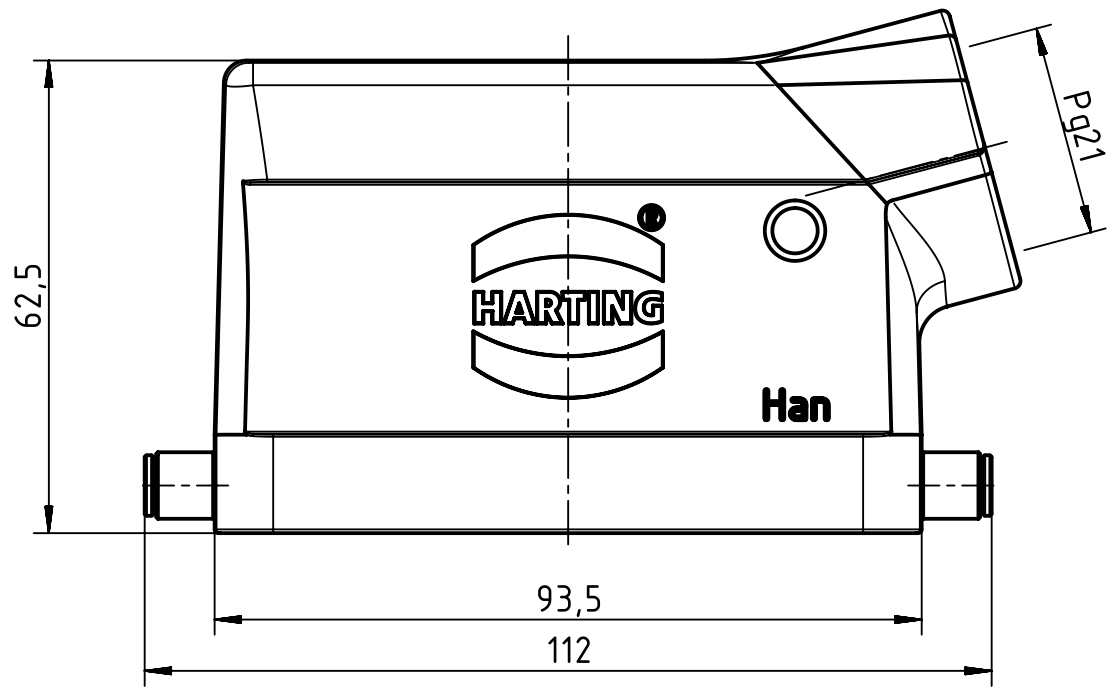
1 2 3 4 5 6

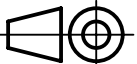

A

B

C

D



 All Dimensions in mm Original Size DIN A4	Scale	Free size tol.			Ref.
	1:1				Sub.
 All rights reserved Department EL PD - DE	Created by	Inspected by	Standardisation	Date	State
	RULLKOETTER	SCHNIEDER	TIEMANNA	2014-11-12	Final Release
HARTING Electric GmbH & Co. KG D-32339 Espelkamp	Title				Doc-Key / ECM-Nr. 100181593/UGD/004/A 500000081192
	Han B Hood Side Entry LC 2 Reels PG 21				
Type	Number			Rev.	Page
TB	09 30 016 1540			A	1/1

Mouser Electronics

Authorized Distributor

Click to View Pricing, Inventory, Delivery & Lifecycle Information:

[HARTING:](#)

[09300161540](#)