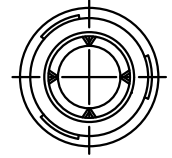
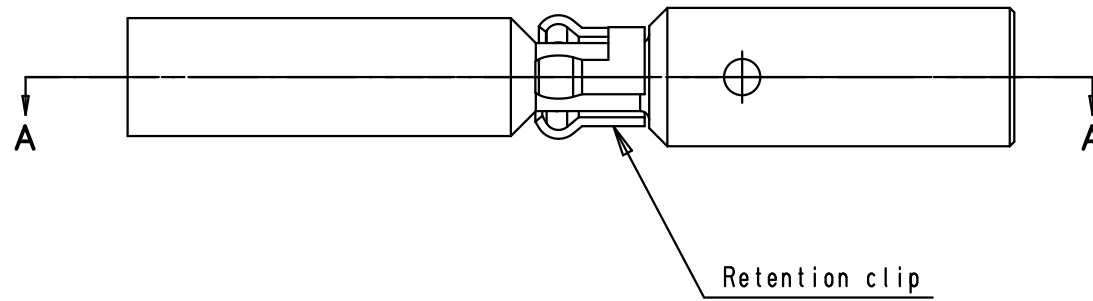
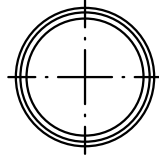
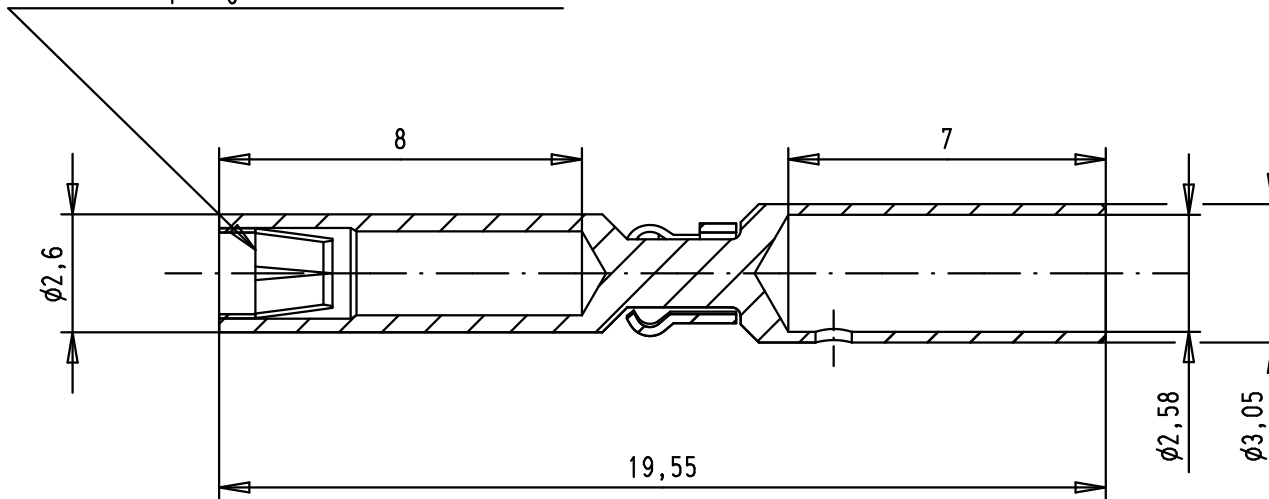


Alle Rechte vorbehalten/ All rights reserved



SECTION A-A:

Standard spring for contact retention



STRIPPING LENGTH: 7mm

MATERIAL:

contact: brass

standard spring: CuBe

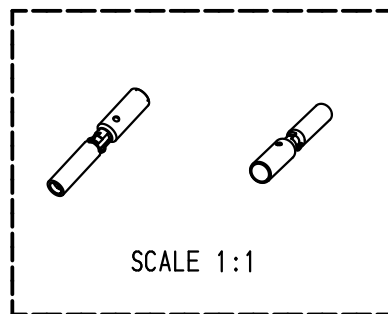
retention clip: stainless stell

PLATING:

contact: Sn/Ni

standard spring: Au/Ni

retention clip: raw material



SCALE 1:1

All dimensions are before plating

			Det.	Name		FEMALE POWER CONTACT CRIMP AWG 12	Moßstab/ Scale 6:1	
			Detail.	22/08/08				AB
			Insp.					
			Stand.			Orig. Size DIN A 3		
35287	22/08/08	AB	HARTING EURL F-95972 Paris			TB 09 46 500 0406	Blatt/ Page 1 / 1	
Mod.	Det.	Name						Sub.

Mouser Electronics

Authorized Distributor

Click to View Pricing, Inventory, Delivery & Lifecycle Information:

[HARTING:](#)

[09465000406](#)