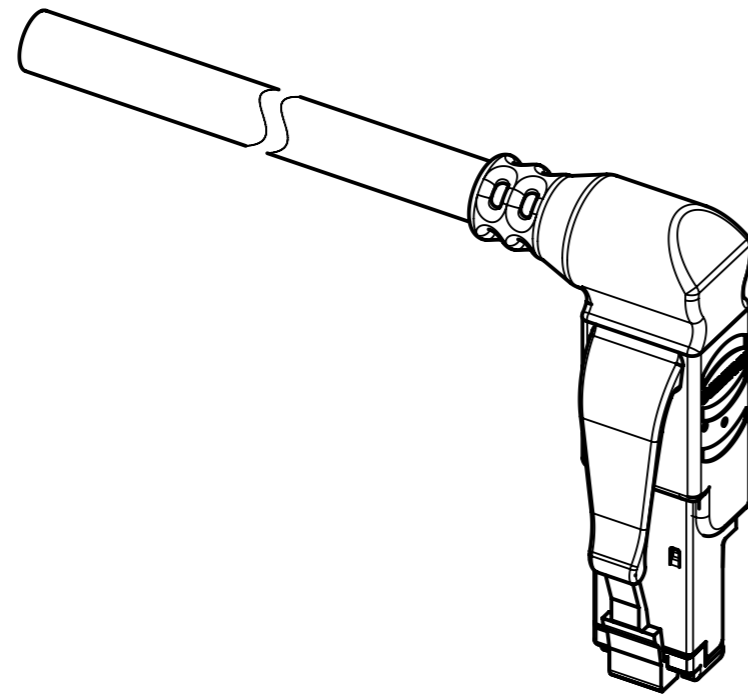


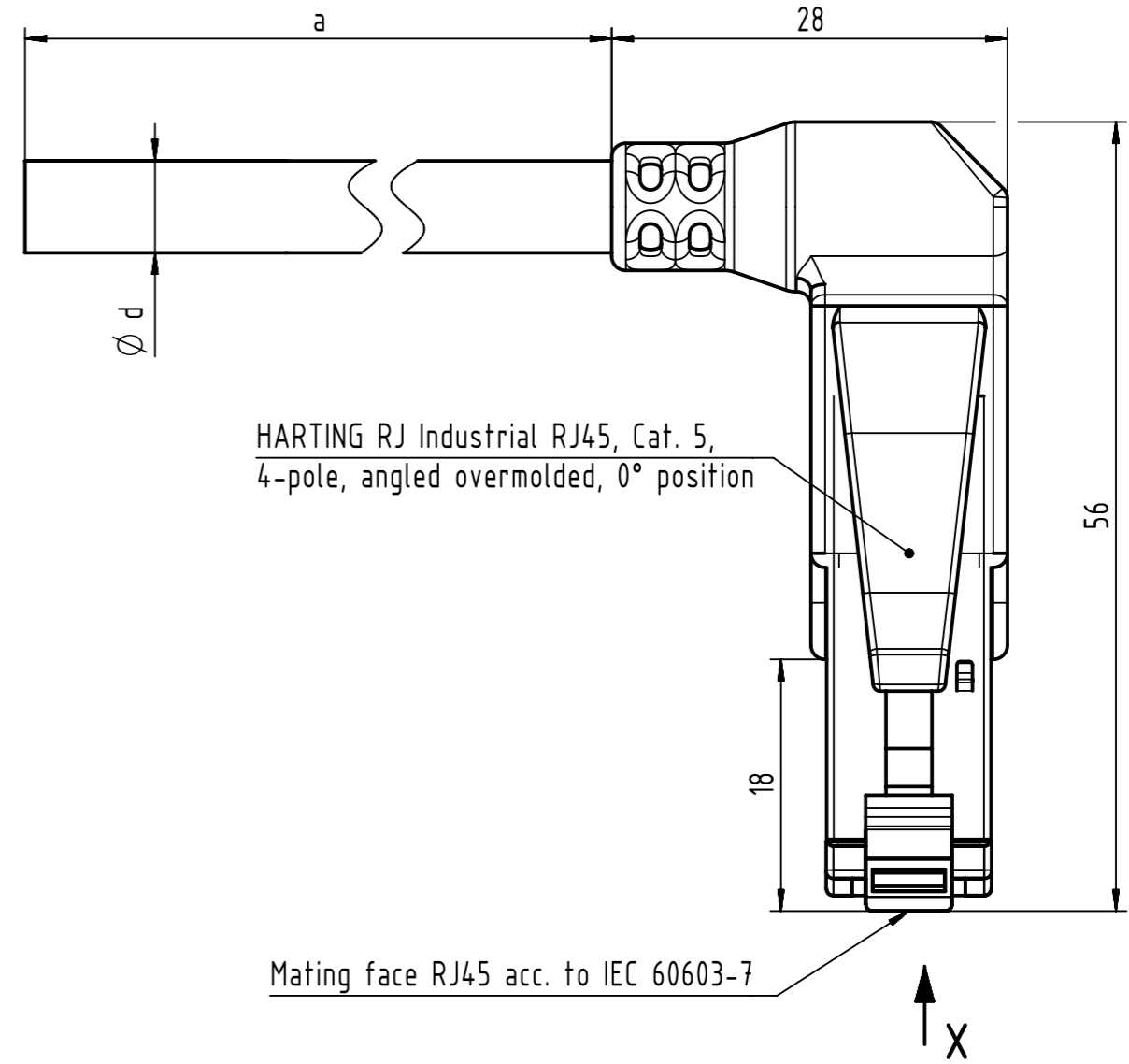
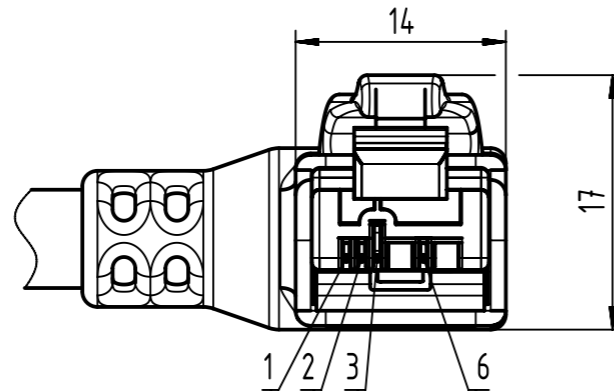
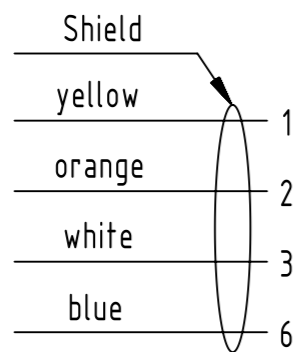
Connector Location A

Connector Location B



X
male

Loading-Plan




HARTING RJ Industrial RJ45, Cat. 5,
4-pole, angled overmolded, 0° position

Mating face RJ45 acc. to IEC 60603-7

- Protection level: IP20
- Temperature range: -40°C ... +70°C

	All rights reserved		Created by STOCHECIC Stocheici		Inspected by COSTEA Costea		Standardisation MUNTEANV Muntean		Date 2018-05-17		State Final Release	
	Department HCS - RO		Title RJ Industrial Cable Assembly		Doc-Key / ECM-Nr. 100177621/UGD/010/E 500000135295		Rev. E		Page 1/2			
HARTING Customised Solutions D-32339 Espelkamp		Type TB		Number 09470600XXX								

1		2		3		4		5		6		7		8																
A	52	09470600052	RJ45 Ethernet trailing cable, AWG22/7, 2x2x0.75, PUR, Cat. 5+, green	Ø6.5	6	RJ45 Ha-VIS EtherRail, Flexible data cable, AWG22/7, 4x0.25, Cat. 5/5e, black	Ø6.6	0.5	RJ45 Ethernet stranded cable, AWG22/7, 2x2x0.75, outdoor, PVC, Cat. 5+, black	Ø6.5	100	RJ45 Ethernet trailing cable, AWG22/7, 2x2x0.75, PUR, Cat. 5+, green	Ø6.5	7	RJ45 Ethernet standard cable, AWG22/1, 2x2x0.64, PVC, Cat. 5+, green	Ø6.5														
	51	09470600051			5			90			100			90			80	80	80	80	80	70	70	70	70	70				
	50	09470600050			4			80			90			80			70	60	60	60	50	50	40	40	40	40	40			
	49	09470600049			3			70			70			70			60	50	50	50	40	40	30	30	30	30	30			
	48	09470600048			2			60			60			60			50	40	40	40	30	30	20	20	20	20	20			
	47	09470600047			1.5			50			50			50			40	30	30	30	20	20	15	15	15	15	15			
	46	09470600046			1			40			40			40			30	20	20	20	15	15	10	10	10	10	10			
	45	09470600045			0.5			30			30			30			20	15	15	15	10	10	8	8	8	8	8			
	44	09470600044			100			20			20			20			15	10	10	10	8	8	7	7	7	7	7			
	B	43			09470600043			RJ45 Ethernet stranded cable, 4xAWG22/7, PVC, Cat. 5+, green			Ø6.5			100			RJ45 Ethernet trailing cable, AWG22/7, 2x2x0.75, PUR, Cat. 5+, green	Ø6.6	100	RJ45 Ethernet stranded cable, AWG22/7, 2x2x0.75, outdoor, PVC, Cat. 5+, black	Ø6.5	90	RJ45 Ethernet standard cable, AWG22/1, 2x2x0.64, PVC, Cat. 5+, green	Ø6.5	90	RJ45 Ethernet standard cable, AWG22/1, 2x2x0.64, PVC, Cat. 5+, green	Ø6.5			
42		09470600042	90	90	90	80	80		80	80		80	70	70	70	70			70			70								
41		09470600041	80	80	80	70	60		60	60		60	50	50	40	40			40			40			40					
40		09470600040	70	70	70	60	50		50	50		50	40	40	30	30			30			30			30					
39		09470600039	60	60	60	50	40		40	40		40	30	30	20	20			20			20			20					
38		09470600038	50	50	50	40	30		30	30		30	20	20	15	15			15			15			15					
37		09470600037	40	40	40	30	20		20	20		20	15	15	10	10			10			10			10					
36		09470600036	30	30	30	20	15		15	15		15	10	10	8	8			8			8			8					
35		09470600035	20	20	20	15	10		10	10		10	8	8	7	7			7			7			7					
34		09470600034	15	15	15	10	8		8	8		8	7	7	6	6			6			6			6					
C	33	09470600033	RJ45 Ethernet standard cable, 4xAWG22/7, PVC, Cat. 5+, green	Ø6.5	100	RJ45 Ha-VIS EtherRail, Flexible data cable, AWG22/7, 4x0.25, Cat. 5/5e, black	Ø6.6	100	RJ45 Ethernet stranded cable, AWG22/7, 2x2x0.75, outdoor, PVC, Cat. 5+, black	Ø6.5	90	RJ45 Ethernet trailing cable, AWG22/7, 2x2x0.75, PUR, Cat. 5+, green	Ø6.5	90	RJ45 Ethernet standard cable, AWG22/1, 2x2x0.64, PVC, Cat. 5+, green	Ø6.5														
	32	09470600032			90			90			90			80			80	80	80	80	70	70	70	70	70	70				
	31	09470600031			80			80			80			70			60	60	60	60	50	50	40	40	40	40	40			
	30	09470600030			70			70			70			60			50	50	50	50	40	40	30	30	30	30	30			
	29	09470600029			60			60			60			50			40	40	40	40	30	30	20	20	20	20	20			
	28	09470600028			50			50			50			40			30	30	30	30	20	20	15	15	15	15	15			
	27	09470600027			40			40			40			30			20	20	20	20	15	15	10	10	10	10	10			
	26	09470600026			30			30			30			20			15	15	15	15	10	10	8	8	8	8	8			
	25	09470600025			20			20			20			15			10	10	10	10	8	8	7	7	7	7	7			
	24	09470600024			15			15			15			10			8	8	8	8	7	7	6	6	6	6	6			
D	23	09470600023	RJ45 Ethernet standard cable, AWG22/1, 2x2x0.64, PVC, Cat. 5+, green	Ø6.5	100	RJ45 Ha-VIS EtherRail, Flexible data cable, AWG22/7, 4x0.25, Cat. 5/5e, black	Ø6.6	100	RJ45 Ethernet stranded cable, AWG22/7, 2x2x0.75, outdoor, PVC, Cat. 5+, black	Ø6.5	90	RJ45 Ethernet trailing cable, AWG22/7, 2x2x0.75, PUR, Cat. 5+, green	Ø6.5	90	RJ45 Ethernet standard cable, AWG22/1, 2x2x0.64, PVC, Cat. 5+, green	Ø6.5														
	22	09470600022			90			90			90			80			80	80	80	80	70	70	70	70	70	70				
	21	09470600021			80			80			80			70			60	60	60	60	50	50	40	40	40	40	40			
	20	09470600020			70			70			70			60			50	50	50	50	40	40	30	30	30	30	30			
	19	09470600019			60			60			60			50			40	40	40	40	30	30	20	20	20	20	20			
	18	09470600018			50			50			50			40			30	30	30	30	20	20	15	15	15	15	15			
	17	09470600017			40			40			40			30			20	20	20	20	15	15	10	10	10	10	10			
	16	09470600016			30			30			30			20			15	15	15	15	10	10	8	8	8	8	8			
	15	09470600015			20			20			20			15			10	10	10	10	8	8	7	7	7	7	7			
	14	09470600014			15			15			15			10			8	8	8	8	7	7	6	6	6	6	6			
E	13	09470600013	RJ45 Ethernet standard cable, AWG22/1, 2x2x0.64, PVC, Cat. 5+, green	Ø6.5	100	RJ45 Ha-VIS EtherRail, Flexible data cable, AWG22/7, 4x0.25, Cat. 5/5e, black	Ø6.6	100	RJ45 Ethernet stranded cable, AWG22/7, 2x2x0.75, outdoor, PVC, Cat. 5+, black	Ø6.5	90	RJ45 Ethernet trailing cable, AWG22/7, 2x2x0.75, PUR, Cat. 5+, green	Ø6.5	90	RJ45 Ethernet standard cable, AWG22/1, 2x2x0.64, PVC, Cat. 5+, green	Ø6.5														
	12	09470600012			90			90			90			80			80	80	80	80	70	70	70	70	70	70				
	11	09470600011			80			80			80			70			60	60	60	60	50	50	40	40	40	40	40			
	10	09470600010			70			70			70			60			50	50	50	50	40	40	30	30	30	30	30			
	9	09470600009			60			60			60			50			40	40	40	40	30	30	20	20	20	20	20			
	8	09470600008			50			50			50			40			30	30	30	30	20	20	15	15	15	15	15			
	7	09470600007			40			40			40			30			20	20	20	20	15	15	10	10	10	10	10			
	6	09470600006			30			30			30			20			15	15	15	15	10	10	8	8	8	8	8			
	5	09470600005			20			20			20			15			10	10	10	10	8	8	7	7	7	7	7			
	4	09470600004			15			15			15			10			8	8	8	8	7	7	6	6	6	6	6			
F	3	09470600003	RJ45 Ethernet standard cable, AWG22/1, 2x2x0.64, PVC, Cat. 5+, green	Ø6.5	100	RJ45 Ha-VIS EtherRail, Flexible data cable, AWG22/7, 4x0.25, Cat. 5/5e, black	Ø6.6	100	RJ45 Ethernet stranded cable, AWG22/7, 2x2x0.75, outdoor, PVC, Cat. 5+, black	Ø6.5	90	RJ45 Ethernet trailing cable, AWG22/7, 2x2x0.75, PUR, Cat. 5+, green	Ø6.5	90	RJ45 Ethernet standard cable, AWG22/1, 2x2x0.64, PVC, Cat. 5+, green	Ø6.5														
	2	09470600002			90			90			90			80			80	80	80	80	70	70	70	70	70	70				
	1	09470600001			80			80			80			70			60	60	60	60	50	50	40	40	40	40	40			
	Cont. no.	Part no.			Type of cable			Dim. d [mm]			Dim. a [m]			Cont. no.			Part no.	Type of cable	Dim. d [mm]	Dim. a [m]	Cont. no.	Part no.	Type of cable	Dim. d [mm]	Dim. a [m]	Cont. no.	Part no.	Type of cable	Dim. d [mm]	Dim. a [m]

 All rights reserved Department HCS - RO		All Dimensions in mm Original Size DIN A3		Scale 1:1	Free size tol.	Ref. Sub.
HARTING Customised Solutions D-32339 Espelkamp		Created by STOCEVIC Stoceci	Inspected by COSTEA Costea	Standardisation MUNTEANV Muntean	Date 2018-05-17	State Final Release
Title RJ Industrial Cable Assembly		Type TB		Number 09470600XXX		Doc-Key / ECM-Nr. 100177621/UGD/010/E 500000135295
Rev. E		Page 2/2				

Mouser Electronics

Authorized Distributor

Click to View Pricing, Inventory, Delivery & Lifecycle Information:

HARTING:

[09470600002](#) [09470600023](#) [09470600024](#) [09470600025](#) [09470600026](#) [09470600027](#) [09470600029](#)
[09470600045](#) [09470600046](#) [09470600048](#) [09470600049](#) [09470600051](#) [09470600031](#) [09470600047](#) [09470600001](#)
[09470600007](#)