

Customer Information Sheet

DRAWING No.: M20-783XXX

SHEET 2 OF 2

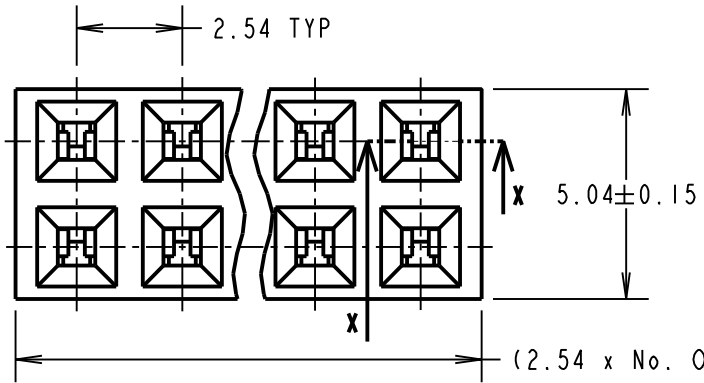
IF IN DOUBT - ASK



NOT TO SCALE

THIRD ANGLE PROJECTION

ALL DIMENSIONS IN mm



NOTES:

1. RECOMMENDED PCB HOLE SIZE = $\varnothing 1.00\text{mm}$.

Active products:

- M20-78302XX
- M20-7830346
- M20-78304XX
- M20-78305XX

- M20-78306XX
- M20-7830746
- M20-78308XX
- M20-78309XX
- M20-78310XX
- M20-7831246
- M20-78313XX

- M20-78315XX
- M20-7831842
- M20-78320XX
- M20-7833646

SPECIFICATION:

MATERIAL:

MOULDING = PA9T UL94V-0, BLACK
 CONTACTS = PHOSPHOR BRONZE
 FINISH (OVER NICKEL):
 42 = GOLD FLASH ON CONTACT AREA,
 100% TIN ON TAILS
 46 = 100% TIN

ELECTRICAL:

CURRENT RATING = 3A
 VOLTAGE PROOF = 1000V AC
 CONTACT RESISTANCE = $20\text{m}\Omega$ MAX
 INSULATION RESISTANCE = $1,000\text{M}\Omega$ MIN

ENVIRONMENTAL:

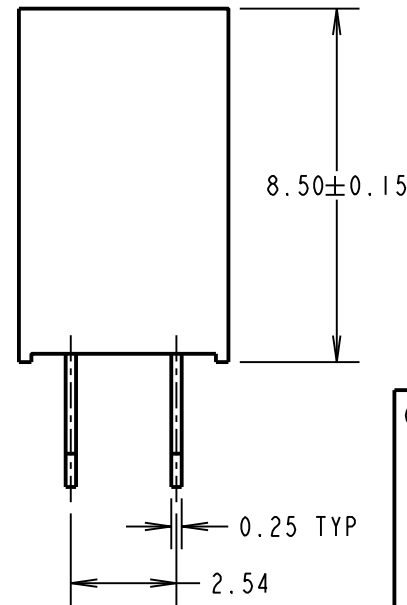
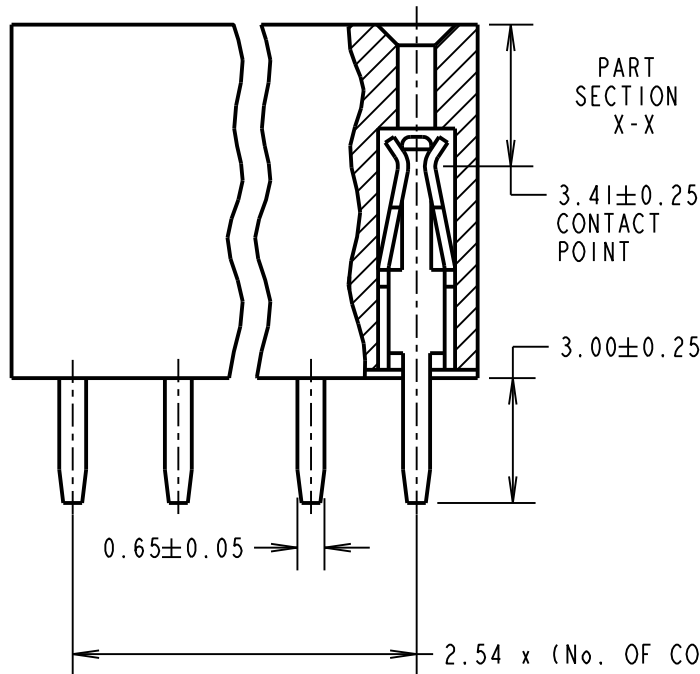
TEMPERATURE RANGE = -40°C TO $+105^{\circ}\text{C}$

MECHANICAL:

INSERTION FORCE = 1.96N MAX
 WITHDRAWAL FORCE = 0.29N MIN
 DURABILITY = 300 OPERATIONS

PACKING:

TUBE
 FOR COMPLETE SPECIFICATION SEE COMPONENT SPECIFICATION C001XX (LATEST ISSUE)



OBSOLETE

All other size/finish combinations not listed above

ORDER CODE: **M20-783XXXX**

No. OF CONTACTS PER ROW: _____
 02 TO 20, 25, 32, 36

FINISH: _____
 42 = SELECTIVE GOLD / 100% TIN
 46 = 100% TIN

WJP	13	01.08.17	20398
NAME	ISS.	DATE	C/NOTE
APPROVED: W. J. PRESTON			
CHECKED: S. BENNETT			
DRAWN: J. EVANS			
CUSTOMER REF.:			
ASSEMBLY DRG:			



www.harwin.com
 technical@harwin.com

THIS DRAWING AND ANY INFORMATION OR DESCRIPTIVE MATTER SET OUT HEREON ARE CONFIDENTIAL AND COPYRIGHT PROPERTY OF THE HARWIN GROUP AND MUST NOT BE DISCLOSED, LOANED, COPIED OR USED FOR MANUFACTURING, TENDERING OR FOR ANY OTHER PURPOSE WITHOUT THEIR WRITTEN PERMISSION.

TOLERANCES
 X. = $\pm 1\text{mm}$
 X.X = $\pm 0.50\text{mm}$
 X.XX = $\pm 0.10\text{mm}$
 X.XXX = $\pm 0.01\text{mm}$
 ANGLES = $\pm 5^{\circ}$
 UNLESS STATED

MATERIAL:
 SEE ABOVE
FINISH: SEE ABOVE
S/AREA: mm²

TITLE:
 2.54mm PITCH DIL VERTICAL PC TAIL SOCKET ASSEMBLY

DRAWING NUMBER:
M20-783XXXX

Mouser Electronics

Authorized Distributor

Click to View Pricing, Inventory, Delivery & Lifecycle Information:

Harwin:

[M20-7831042](#) [M20-7830742](#) [M20-7831942](#) [M20-7831946](#) [M20-7830746](#) [M20-7831146](#) [M20-7831142](#) [M20-7830346](#) [M20-7830342](#) [M20-7831542](#) [M20-7831546](#) [M20-7831346](#) [M20-7831342](#) [M20-7830946](#) [M20-7830942](#) [M20-7830546](#) [M20-7830542](#) [M20-7831742](#) [M20-7831746](#) [M20-7830446](#) [M20-7830442](#) [M20-7831642](#) [M20-7831646](#) [M20-7831246](#) [M20-7831242](#) [M20-7830846](#) [M20-7830842](#) [M20-7830646](#) [M20-7830642](#) [M20-7831846](#) [M20-7831842](#) [M20-7831046](#) [M20-7830242](#) [M20-7830246](#) [M20-7831446](#) [M20-7831442](#) [M20-7833242](#) [M20-7833246](#) [M20-7833646](#) [M20-7833642](#) [M20-7832046](#) [M20-7832542](#) [M20-7832546](#) [M20-7832042](#)