

5

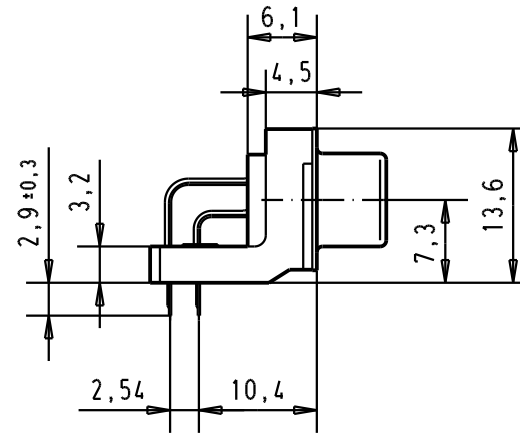
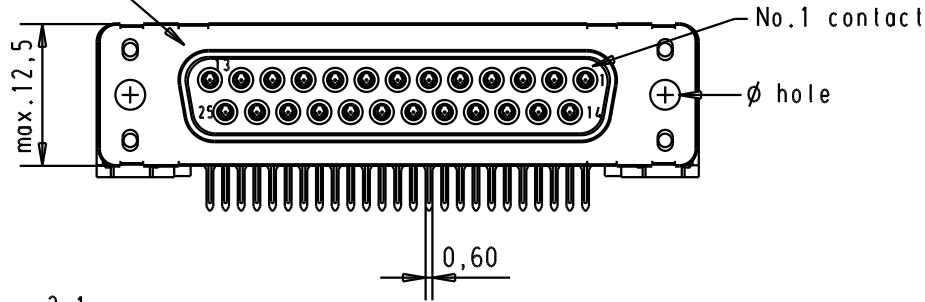
4

3

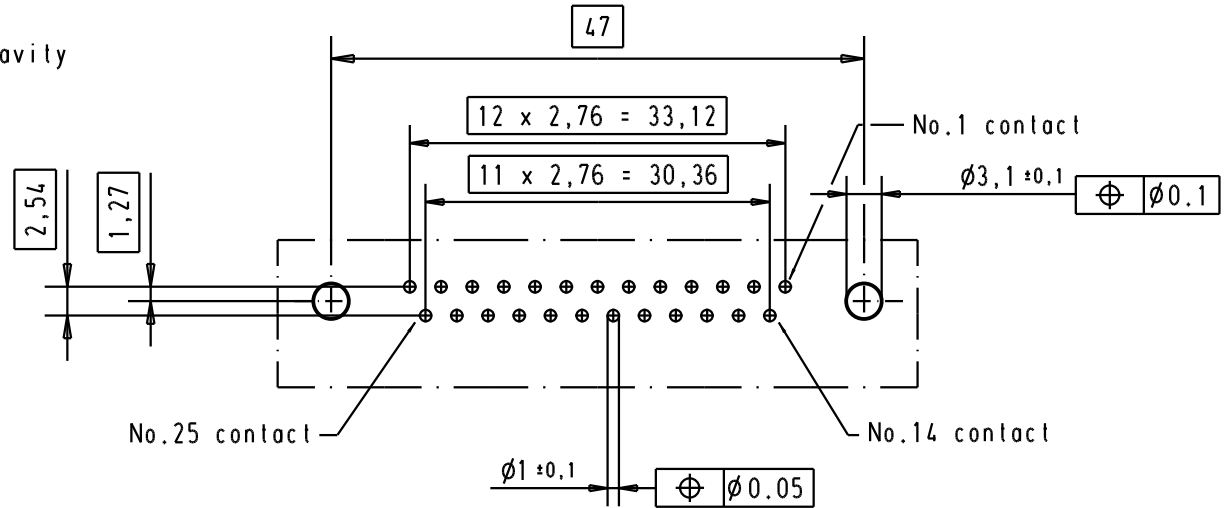
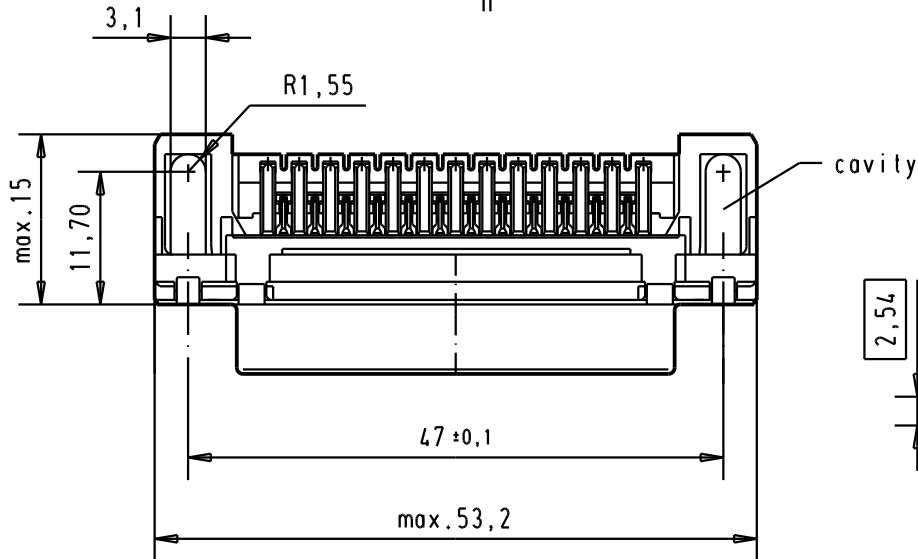
2

1

Mating face according to : MIL-C-24308 / DIN 41652 / CECC 75301-802



Printed board layout component side





D

C

B

A

| | | | | | | Det. | Name |  All Dim. in mm Orig. Size DIN A 4 | D-Sub 25 poles standard angle female, solder pin with hole | Moßstab/ Scale |
|----------------|-------------|-------------------|-------|-----------|---------|-------------------------------|------|---|--|-------------------|
| | | | | | | Insp. | | | | 1.5:1 |
| | | | | | | Stand. | | | | |
| 09 66 312 3600 | 3.1 ± 0.1 | 1 | 31892 | 05/05/04 | JH | | | | | |
| 09 66 312 6600 | 3.1 ± 0.1 | 2 | 29773 | 18-APR-02 | CV | | | | | |
| 09 66 312 7600 | 3.1 ± 0.1 | 3 | 27960 | 28/nov/00 | ALSPACE | | | | | |
| Part number | ϕ hole | Performance level | Mod. | Det. | Name | HARTING EURL F-95972 Paris | |  | TB 0966312x60x | Blatt/ Page |
| | | | | | | | | | Sub. | 1 |

Mouser Electronics

Authorized Distributor

Click to View Pricing, Inventory, Delivery & Lifecycle Information:

[HARTING:](#)

[09663126600](#) [09663127600](#)