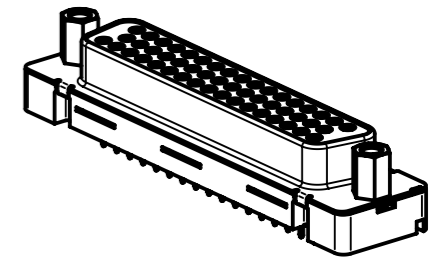
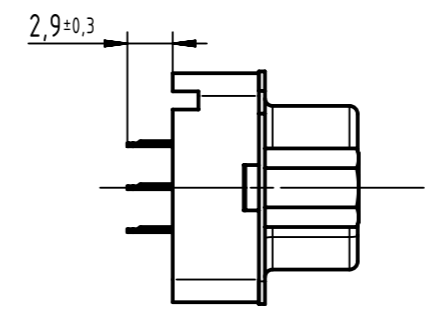
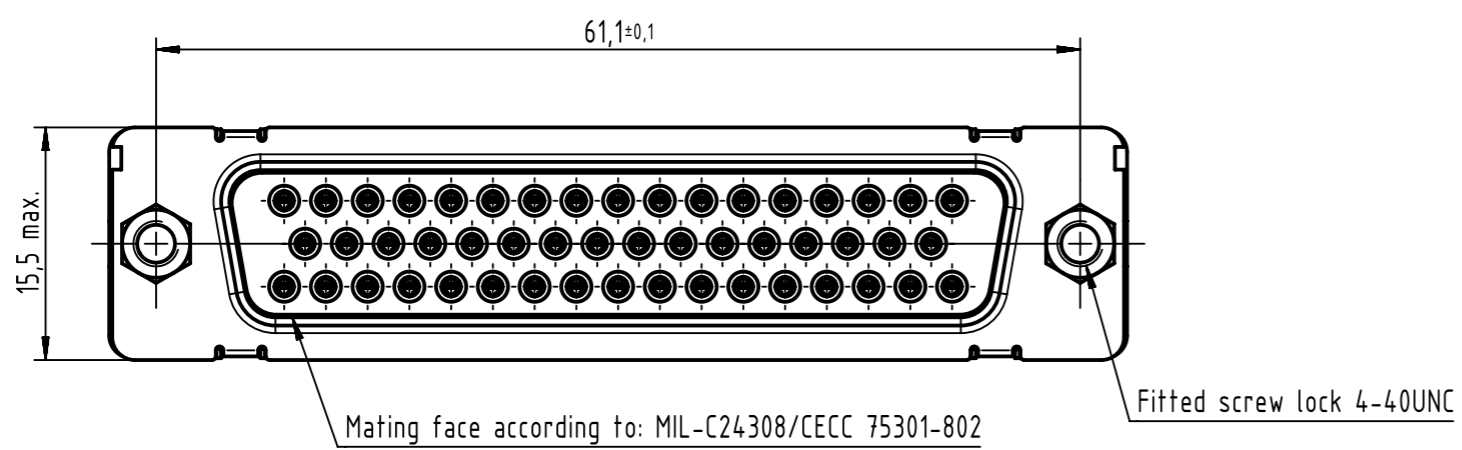
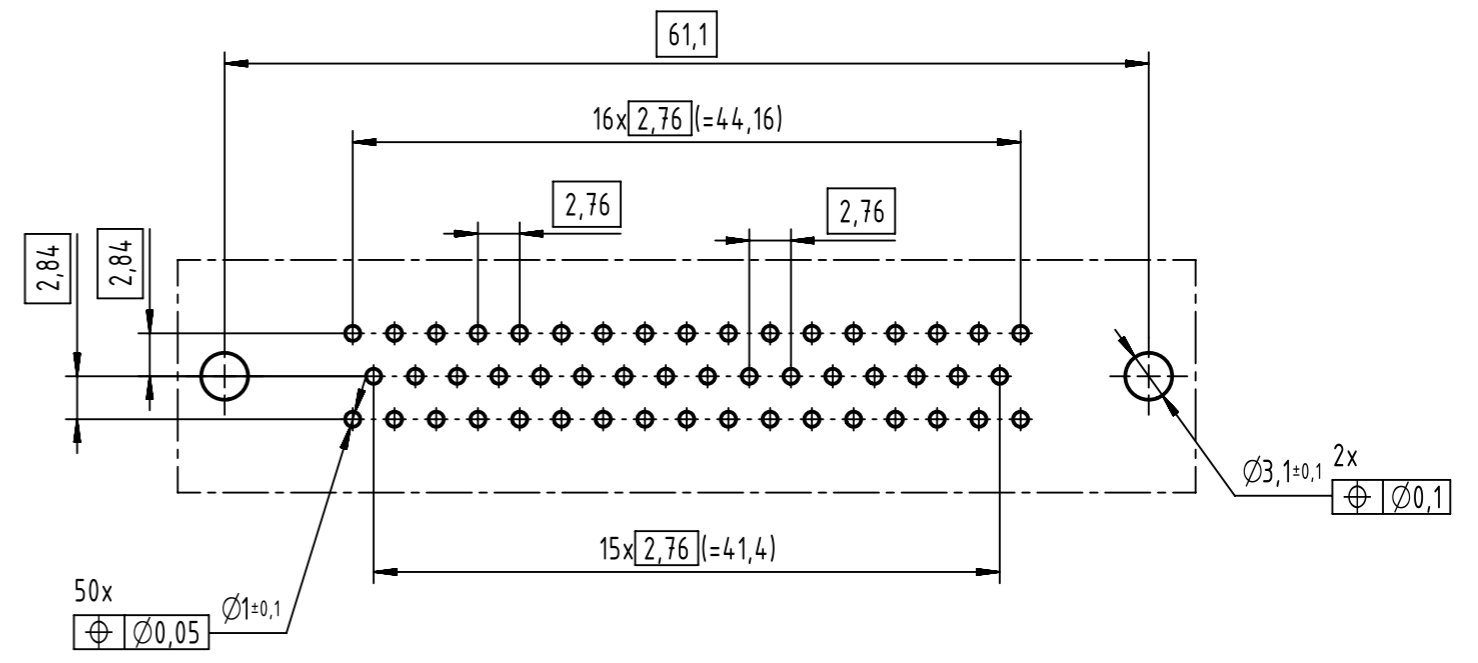
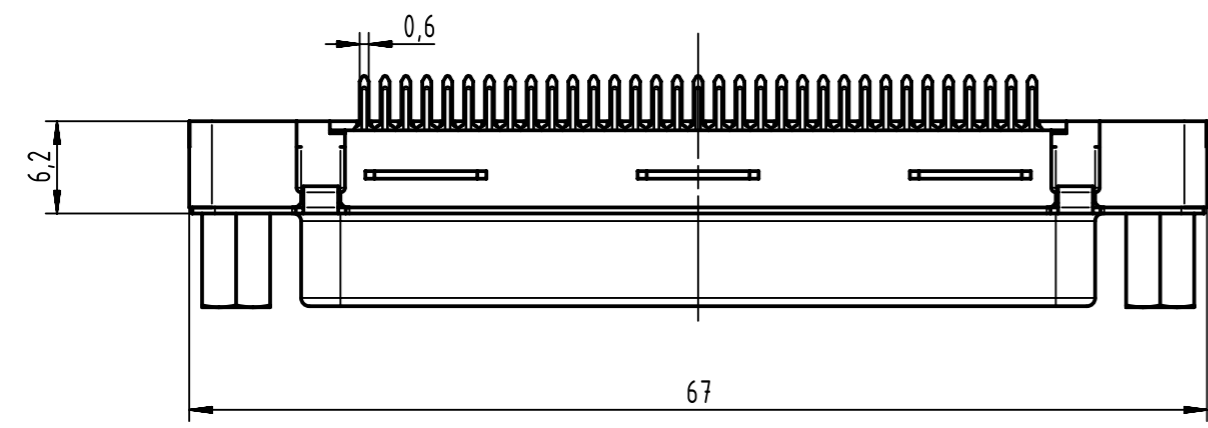


1 2 3 4 5 6 7 8

A B C D E F



PCB layout, component side



0966 511 3053	1
0966 511 6053	2
0966 511 7503	3
Part number	Performance level

	All rights reserved		Department EC PD - CN		HARTING Electronics GmbH D-32339 Espelkamp		All Dimensions in mm Original Size DIN A3		Scale 2:1	Free size tol.	Ref. Sub.		
	Created by ZHUANGJ		Inspected by LUOK		Standardisation HOFFMANN		Date 2015-10-08		State Final Release		Doc-Key / ECM-Nr. 100641579/UGD/000/A 50000094834		
Title D-Sub straight 50-pole fem with fitted screw lock ass										Type TB	Number 0966511X503	Rev. A	Page 1/1

1 2 3 4 5 6 7 8

# Mouser Electronics

Authorized Distributor

Click to View Pricing, Inventory, Delivery & Lifecycle Information:

[HARTING:](#)

[09665116503](#) [09665117503](#)