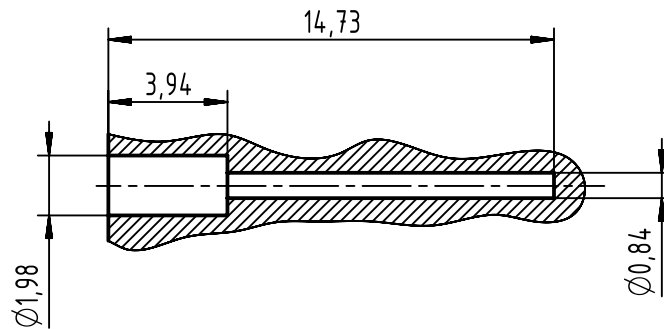



Z (4:1)



used with hand crimp tool : 09 99 000 0501

and crimp contact : 09 56 000 8385 / 09 56 000 8387

	All rights reserved Department EC PD - FR	All Dimensions in mm Original Size DIN A4		Scale 2:1	Free size tol.	Ref.
		HARTING Electronics GmbH D-32339 Espelkamp	Created by BOURGEOIS	Inspected by BAGDIKIAN	Standardisation HOFFMANN	Date 2014-09-10
Title D-Sub HD Positioner for MA Crimp contact						Doc-Key / ECM-Nr. 100580288/UGD/000/A 500000075801
Type TB				Number 09990000525		Rev. A
						Page 1/1

Mouser Electronics

Authorized Distributor

Click to View Pricing, Inventory, Delivery & Lifecycle Information:

[HARTING:](#)

[09990000525](#)