

Click to  
**ORDER**  
samples

**AMA18X-Y**



Wall Mount Adaptor

The AMA18X-Y is a small wall mount type AC plug detachable adapter. Offering a commercial input voltage range of 90-264VAC and an output power of 18W. This adapter will offer many benefits to powering your new system such as low power consumption, high efficiency (meets ErP Tier 2 2016), meeting IEC60950-1 / IEC62368-1, FCC, Class B, CISPR22, Class B.

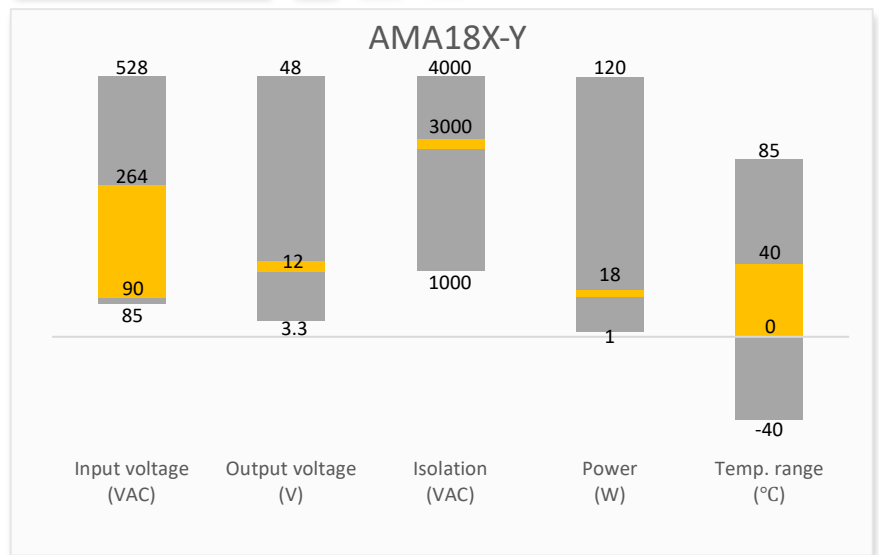
It also features an isolation of 3000VAC for improved reliability and system safety and comes standard with output short circuit protection (OSCP) and output over-current protection (OCP).

**Features**



- Universal Input: 90 - 264VAC/47 - 63Hz
- Operating Temp: 0 °C to +40 °C
- High isolation voltage: 3000VAC
- Low ripple & noise, 200mV(p-p), max
- Output short circuit, over-current protection
- Regulated Output

**Summary**



**Training**



Product Training Video  
(click to open)



Press Release

Coming Soon!

Application Notes

**Applications**



Portable Equipment



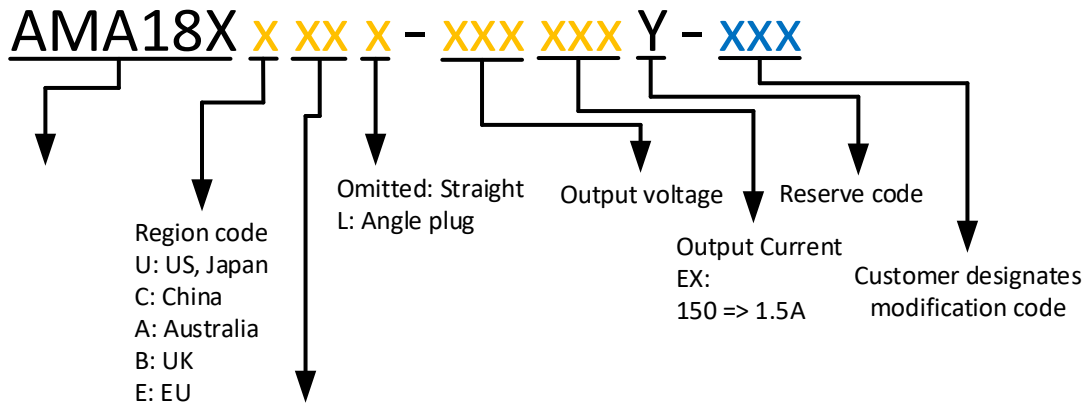
Industrial

## Models & Specifications

### General Feature

Model	Input Voltage (VC)	Output Voltage (VDC)	Output Current max (A)	Output Power max (W)	Efficiency (%)
AMA18XU-120150Y	90 - 264	12	1.5	18	85
AMA18XE-120150Y	90 - 264	12	1.5	18	85
AMA18XA-120150Y	90 - 264	12	1.5	18	85
AMA18XB-120150Y	90 - 264	12	1.5	18	85

Please refer to below coding rule for completed part numbers. Eg. AMA18XUR5-120150Y for industrial grade adaptor with US type plug which comes with 5.5mm\*2.5mm\*9.5mm straight standard output plug.



Plug type	Code	O. D.	I. D.	Length
Standard	R1	3.5mm	1.35mm	9.5mm
	R2	3.8mm	1.05mm	9.5mm
	R3	3.8mm	1.35mm	9.5mm
	R4	5.5mm	2.1mm	9.5mm
	R5	5.5mm	2.5mm	9.5mm
Locking	K1	5.5mm	2.1mm	9.5mm
	K2	5.5mm	2.5mm	9.5mm
USB	U2	* USB type C		

\* NOTE: The USB type C connector option is only a physical USB type-C connector which does not support PD and programmable power supply.

### Input Specification

Parameters	Conditions	Minimum	Typical	Maximum	Units
Voltage range		90	100 - 240	264	VAC
Frequency		47	50 - 60	63	Hz
Input current	Vin at 100~240VAC			0.5	A
Inrush current	Vin at 240VAC, 12VDC output			50	A
Leakage Current	240VAC/50Hz		0.25		mA

Output Specification					
Parameters	Conditions	Minimum	Typical	Maximum	Units
Output voltage			12		VDC
Output current		0		1.5	A
Voltage regulation				±5	%
Ripple and Noise	20 MHz bandwidth			200	mVp-p
Start-up time	Full load, Vin at 230VAC/50Hz			3	S
Hold-up time	90% load, Vin at 115VAC/60Hz	10			mS

Ripple and Noise are measured at 20MHz bandwidth by using a 0.1uF (M/C) and 10uF (E/C) parallel capacitor.

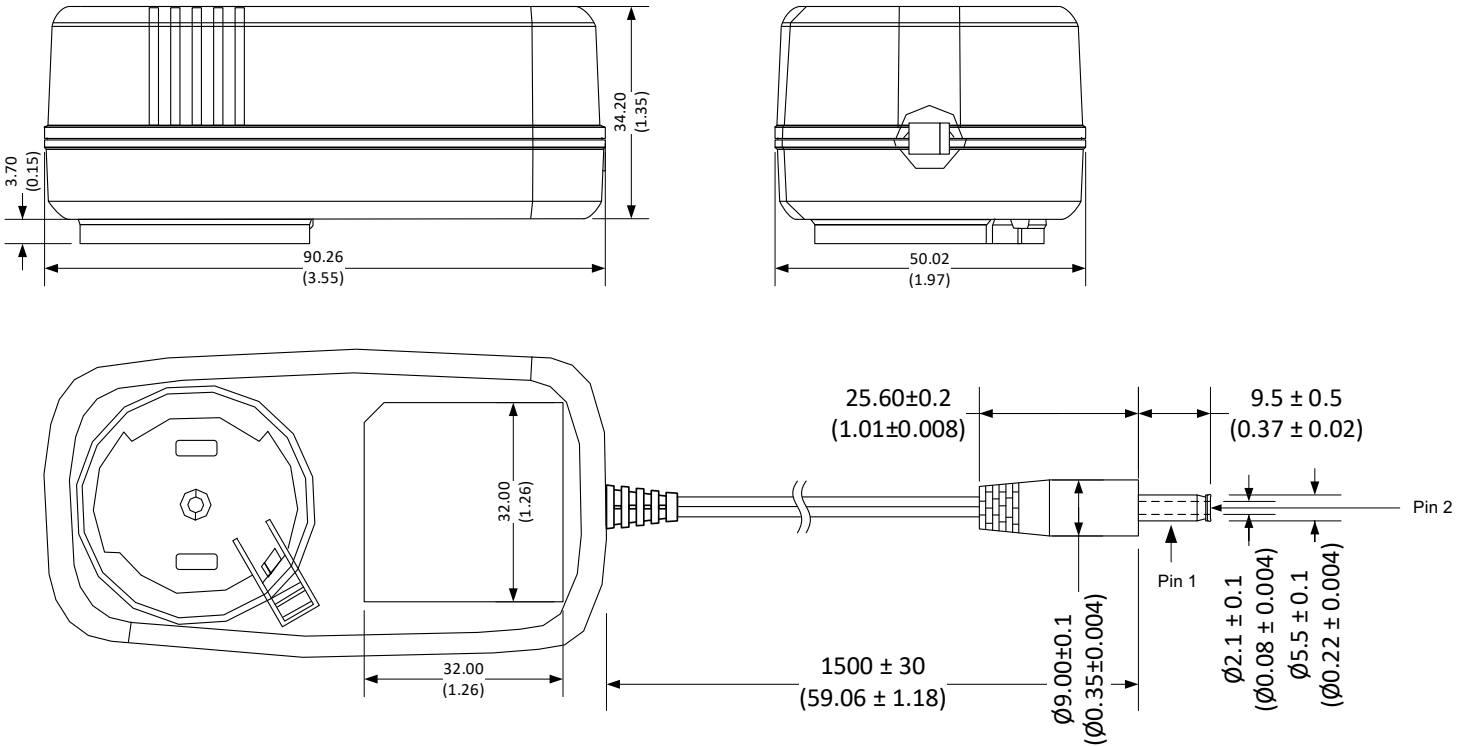
Isolation Specifications				
Parameters	Conditions	Typical	Rated	Units
Tested I/O voltage	leakage current < 10mA		3000	VAC
Resistance	500Vdc, 60s		50	MΩ

General Specification					
Parameters	Conditions	Minimum	Typical	Maximum	Units
Operating temperature		0		40	°C
Storage temperature		-20		70	°C
Power consumption	Vin at 100 -240VAC , no load			75	mW
Humidity	Non-condensing	20		90	% RH
Altitude	Operation	0		2000	m
Efficiency standard	ErP Tier 2 (2016)				
Short circuit protection	Continuous, auto recovery				
Over current protection	Continuous, auto recovery				
Dimensions (L x W x H)	Adaptor body	3.55 x 1.97 x 1.49 inches (90.26 x 50.02 x 37.90mm)			
	US plug	Ø1.48 x 1.11 inches (Ø37 x 28.16mm)			
	EU plug	Ø1.48 x 1.90 inches (Ø37 x 48.36mm)			
	AUS plug	3.55 x 1.66 x 2.87 inches (55.00 x 42.20 x 28.00mm)			
	UK plug	2.00 x 1.95 x 1.17 inches (50.74 x 49.50 x 29.70mm)			
Output cable length	59.06 inches (1500mm)				
MTBF	> 175 000 hrs (SR332, t=+25°C)/Full Load				

All specifications in this datasheet are measured at an ambient temperature of 25°C, humidity<75%, nominal input voltage and at rated output load unless otherwise specified.

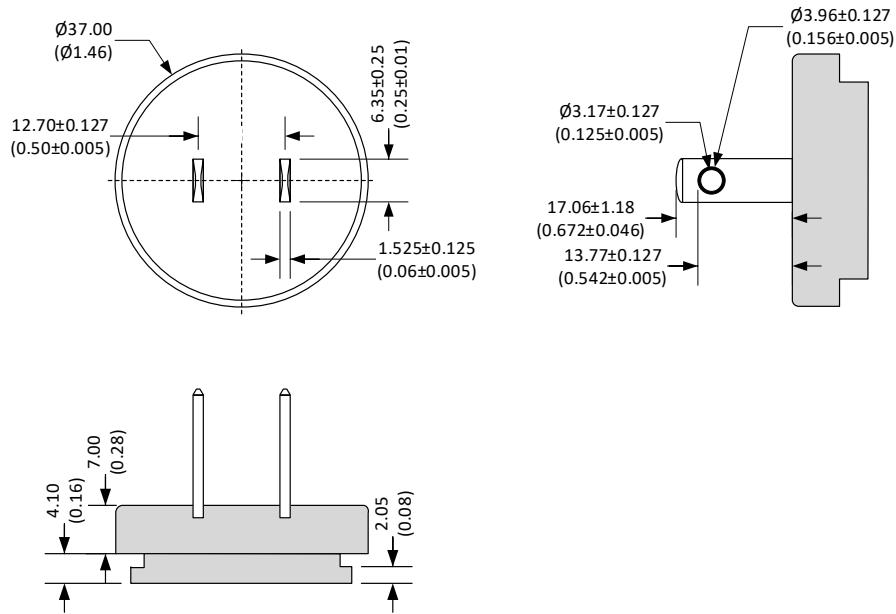
Safety Specifications		
Parameters		
Agency approvals	cULus UL62368-1, CE EN62368-1	
Standards	Information technology Equipment	Designed to meet IEC62368-1
	EMC - Radiated & Conducted emission	FCC, Class B CISPR 22, Class B

Dimensions

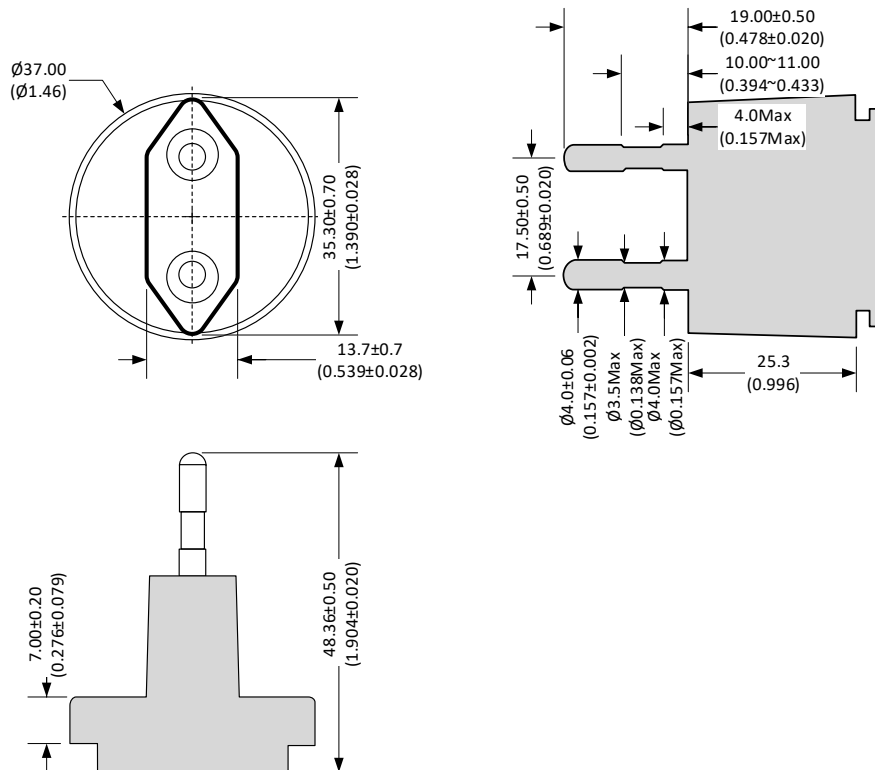


Pin Output Specifications	
Pin	Output Level
1	RTN(-)
2	+Vout

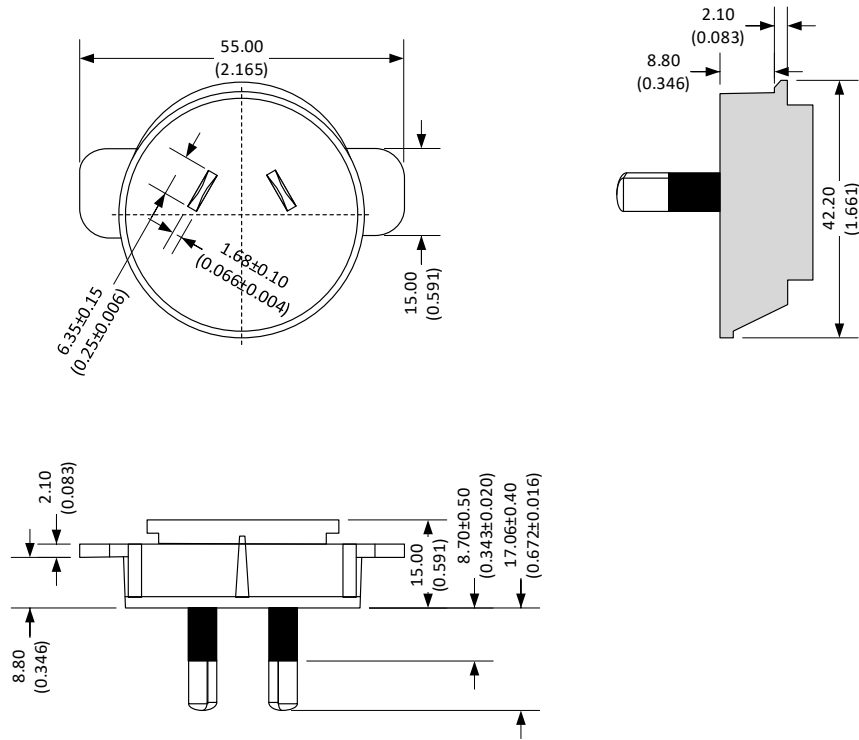
US Plug:



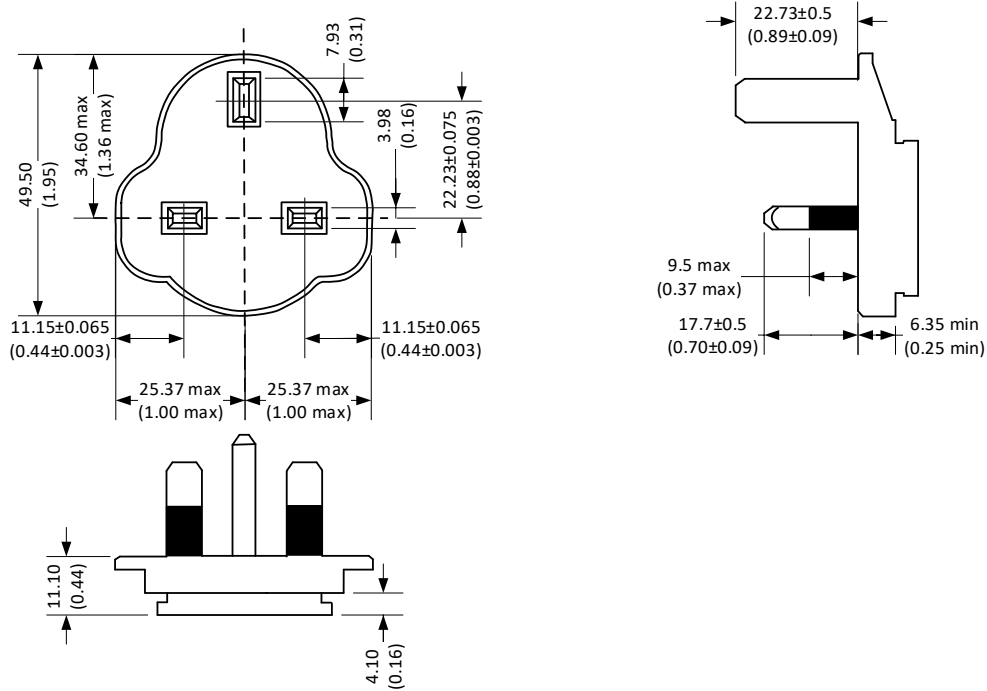
European Plug:



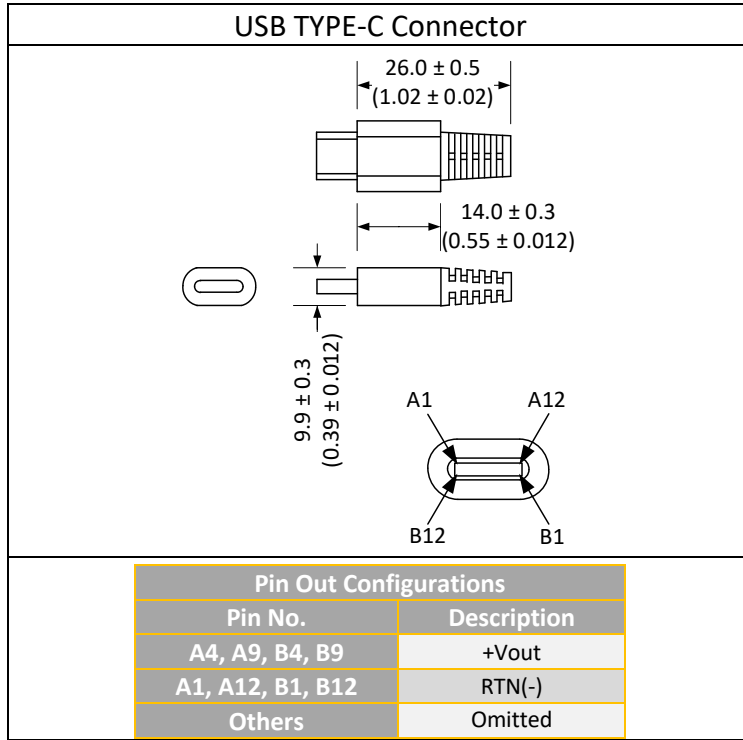
Australian Plug:



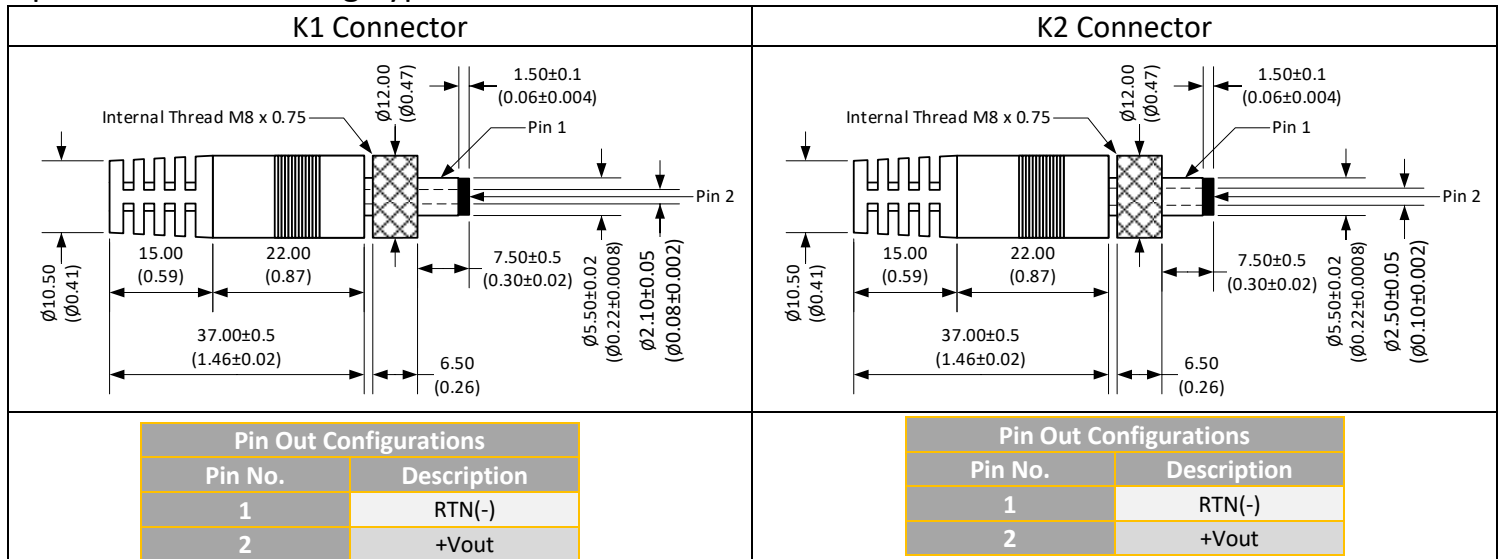
UK Plug:



Optional USB Connector:



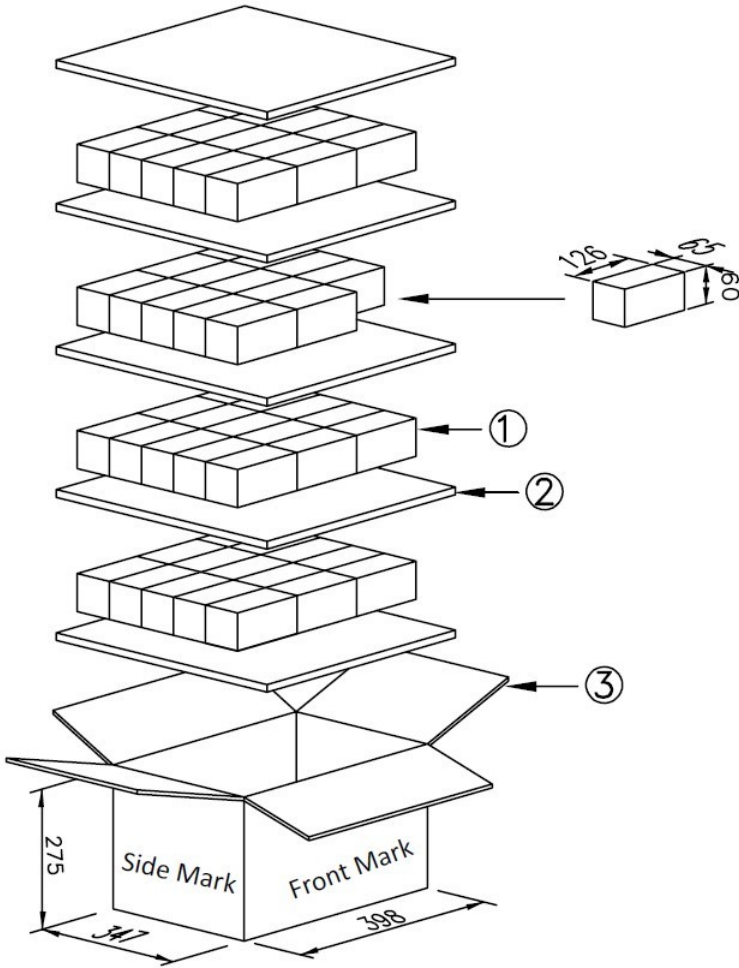
Optional Barrel Locking Type Connector:



NOTE:

1. USB TYPE-C connector: Limited maximum output voltage of 20V, and maximum output current of 5A.

## Packing



### Packing information:

- CARTON : L\*W\*H=(398\*347\*275) +/-5mm A=A
- CLAPBOARD : (378\*325) +/-3mm B33 5PCS
- WHITE BOX : 126\*65\*60 C9
- Q'TY : 15\*4=60PCS
- NET WEIGHT : (g)(ref)
- UNIT : mm

**NOTE:** **1.** Datasheets are updated as needed and as such, specifications are subject to change without notice. Once printed or downloaded, datasheets are no longer controlled by Aimtec; refer to [www.aimtec.com](http://www.aimtec.com) for the most current product specifications. **2.** Product labels shown, including safety agency certifications on labels, may vary based on the date manufactured. **3.** Mechanical drawings and specifications are for reference only. **4.** All specifications are measured at an ambient temperature of 25°C, humidity<75%, nominal input voltage and at rated output load unless otherwise specified. **5.** Aimtec may not have conducted destructive testing or chemical analysis on all internal components and chemicals at the time of publishing this document. CAS numbers and other limited information are considered proprietary and may not be available for release. **6.** This product is not designed for use in critical life support systems, equipment used in hazardous environments, nuclear control systems or other such applications which necessitate specific safety and regulatory standards other the ones listed in this datasheet. **7.** Warranty is in accordance with Aimtec's standard Terms of Sale available at [www.aimtec.com](http://www.aimtec.com). **8.** Adaptors are intended for industrial use only.